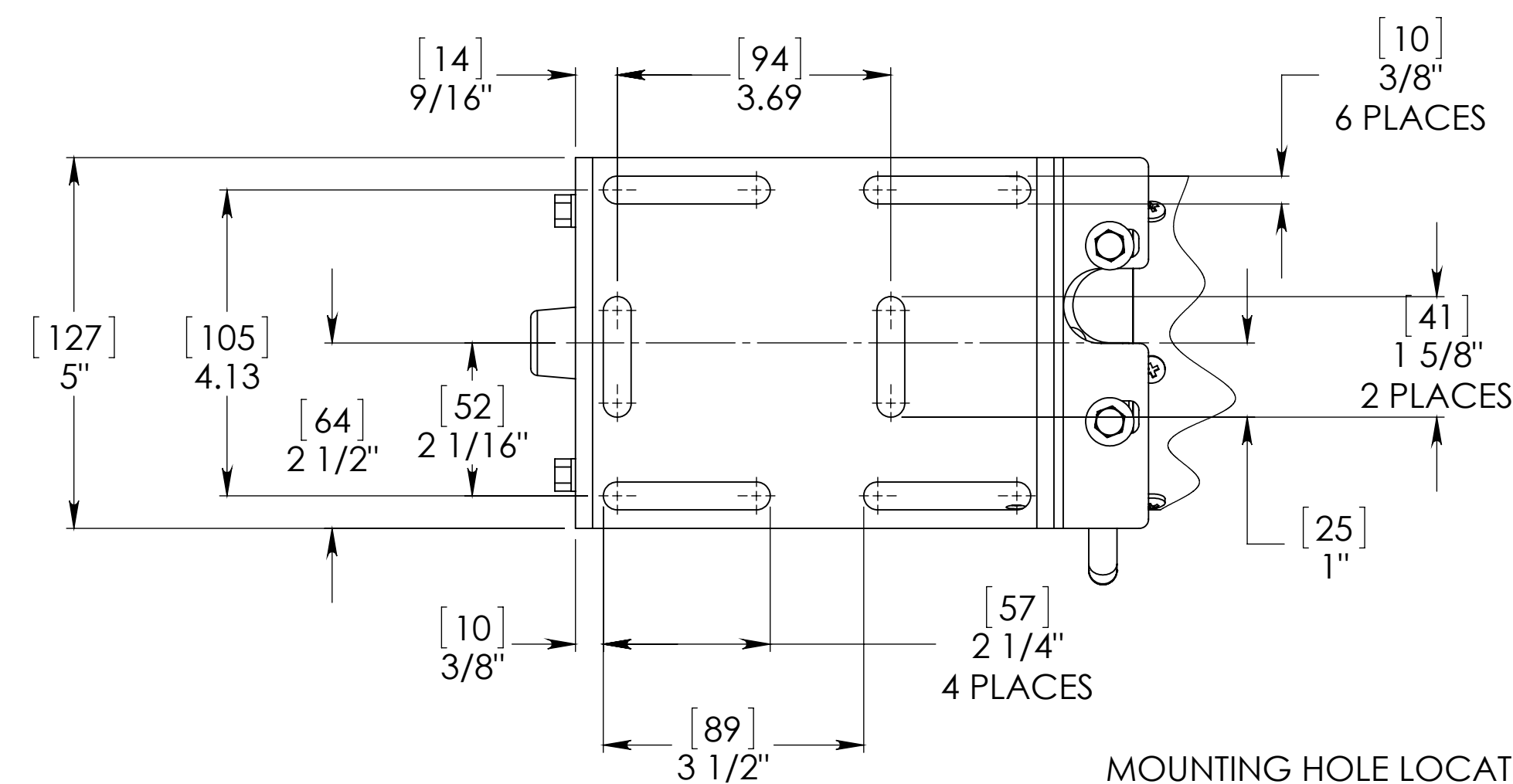
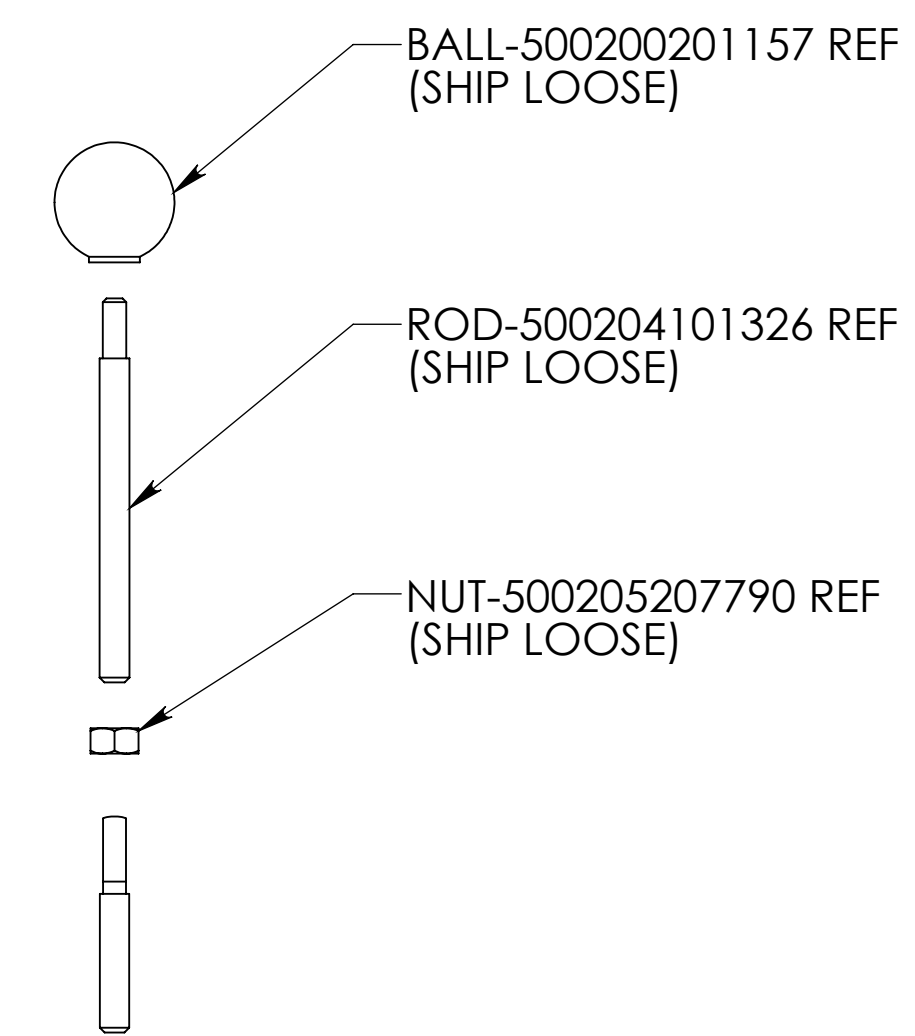
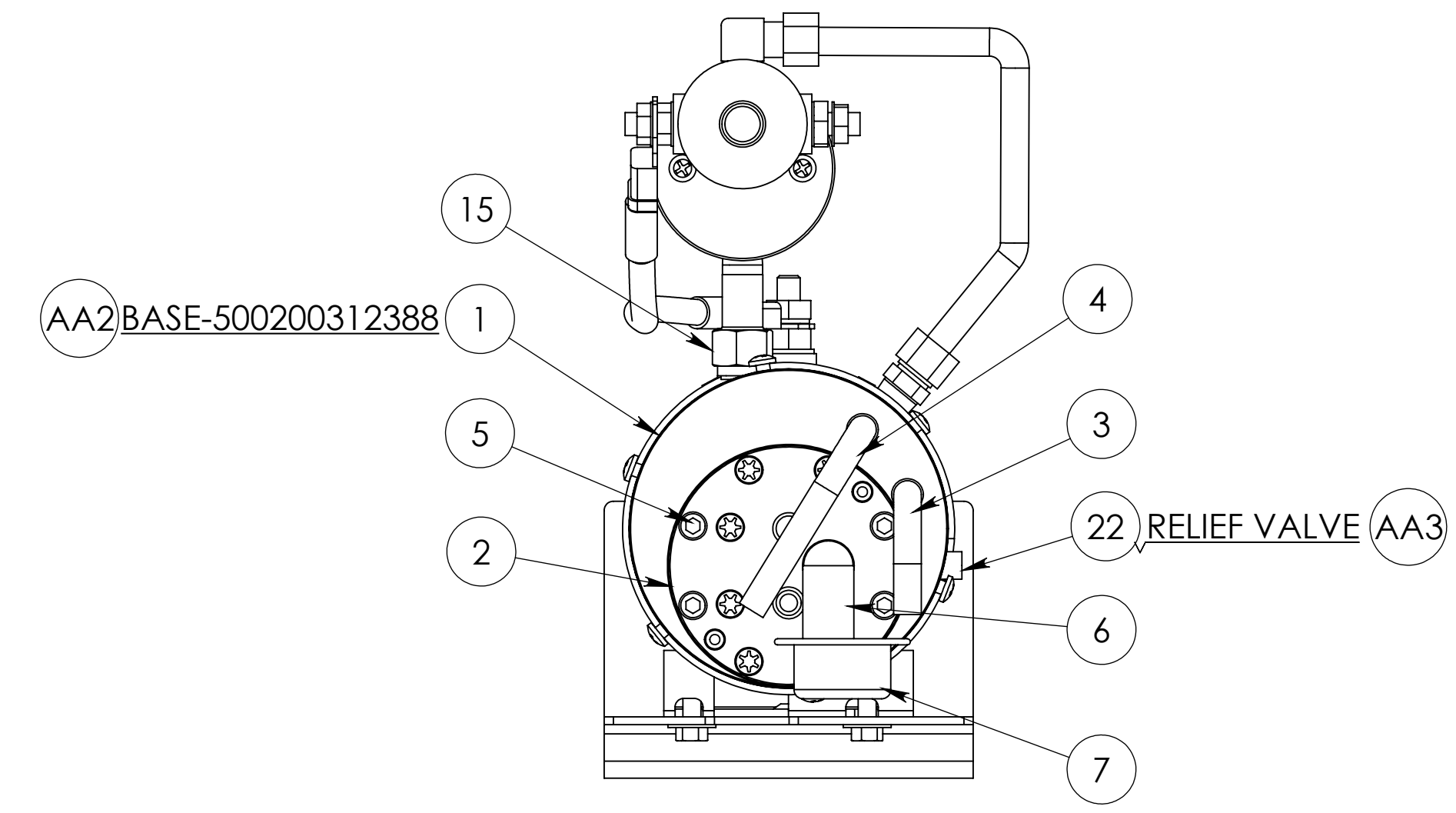
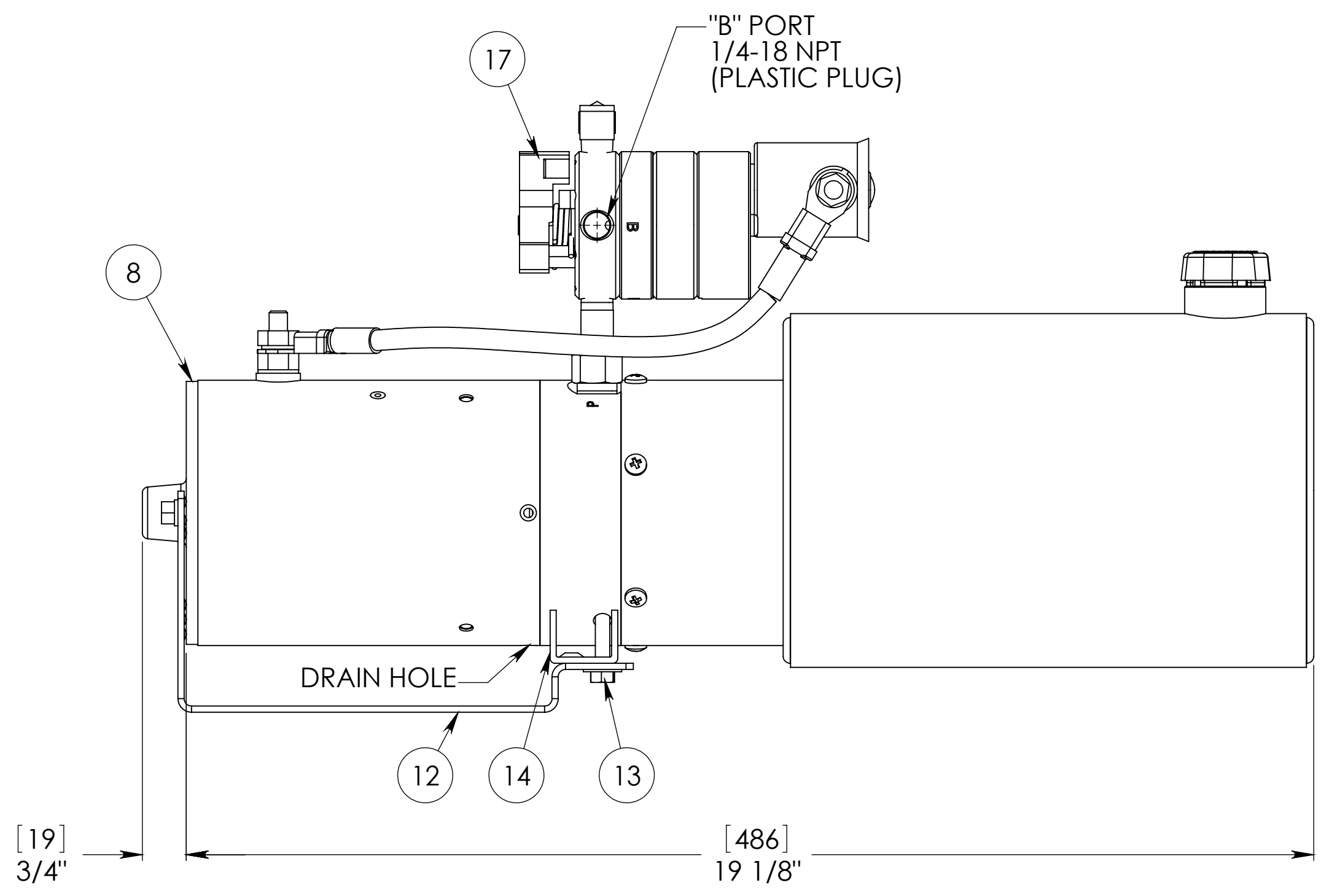
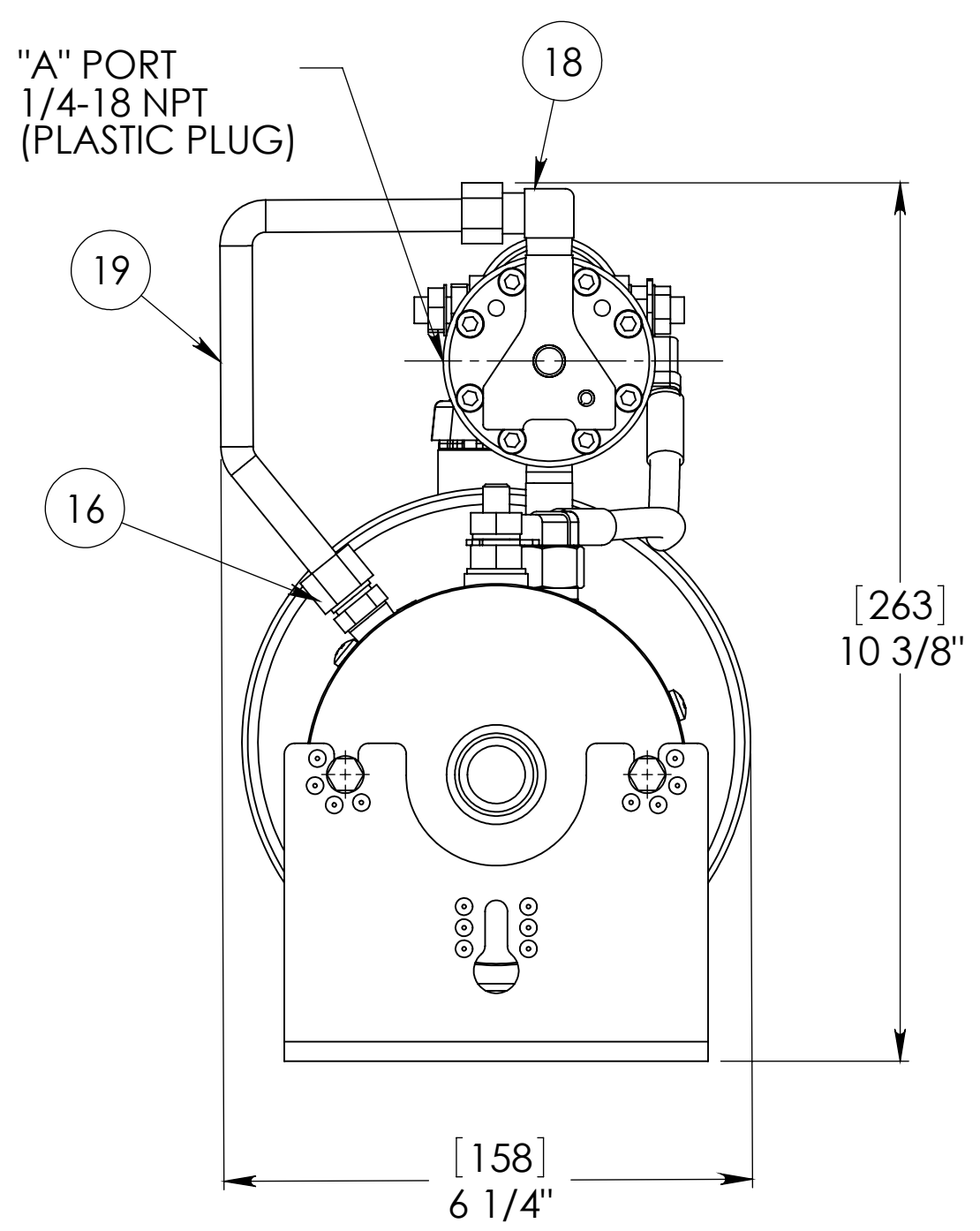


ITEM NO	QTY	PART NO	DESCRIPTION
AA2	1	500270312389	BASE ASSY,M304,MOD,STD MTR/MT
	1	500216312171250	P ASSY,QM MDLR,DC,BRGS BLD RSV
	1	500208313059	TUBE,RETURN,90DEG,1/8NPTF
	1	500208313058	TUBE,RETURN,90DEG,1/8NPT,M301
	4	500206907818	SCREW,SHC,1/4-20 X 3.0,BLK OX
	1	500208301209	TUBE,SUCTION,90 DGR,3/8NPT
	1	500203201134	FILTER,SCREEN M-SERIES SUCT.
	1	500205008111	MOTOR,DC,12V,4.5in,1 TERM
	2	500205908699	PLUG,CAP,NYLON,PUSH-IN,MOTOR
	6	500206907703	SCREW,SELF TAPPING,10-24 3/8
	1	500205901143	PLUG,RESEV,BREATH-FILLER
	1	500201002238	BRACKET,PUMP MT,M-SERIES
	2	500206907717	SCREW,H.WASH.HD, 1/4-20X1-3/8
	1	500200001329	ADAPTER,PLATE TO BASE
	1	500200001318	ADAPTER,PUMP-VALVE,2-1/2
	1	500212101231	CONNECTOR ASSY,BRSS 3/8TX1/4NF
	1	500218518272	VALVE ASSY,CMP,MAN,TC,START SW
	1	500212801225	ELBOW ASSY,90DEG,BRSS 3/8TX1/4
	1	500208313065	TUBE,RETURN,M310,THRU BASE
	1	500201304719	CABLE,INSL,W/LUGS,SHRK TB,13.5
	1	500206414075	RESV,6DIA X9,H/MT,M-300
AA3	1	500218522555	VALVE ASSY,R/V,1001 PSI AND UP



NOTES:
1. RESERVOIR TO BE PAINTED BLACK