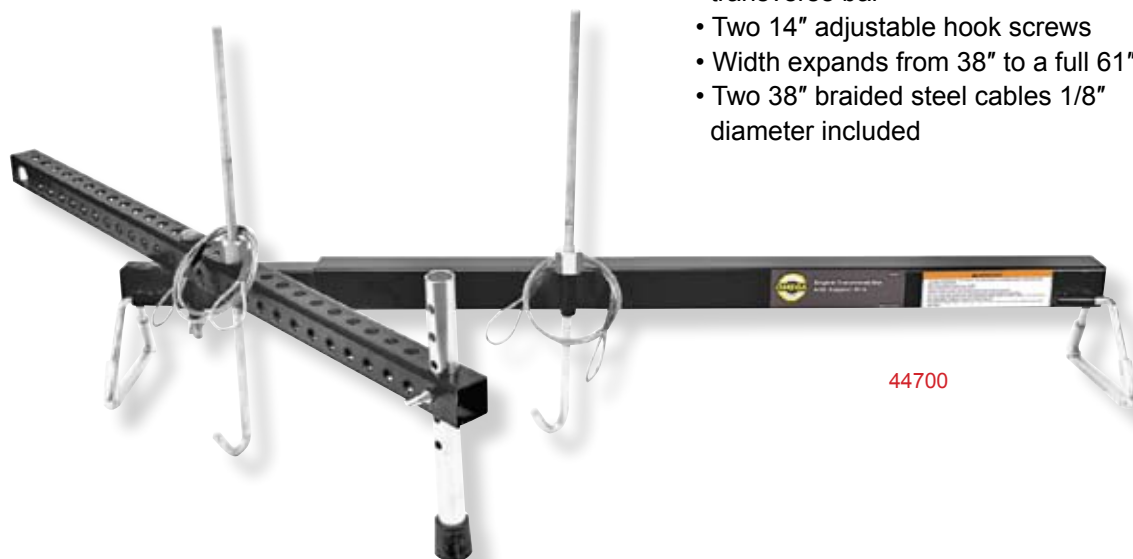




# ENGINE TRANSVERSE BAR WITH ARM SUPPORT

- 700 Lbs. capacity adjustable transverse bar
- Two 14" adjustable hook screws
- Width expands from 38" to a full 61"
- Two 38" braided steel cables 1/8" diameter included



44700

Model	Capacity	Width Expand	Hook Thread Length	G.W.
44700	700 Lbs.	38" ~ 61"	12.5"	28 Lbs.

## Z CREEPER

- Frame thickness 3/4"(W) X 1-5/8"(H)
- Fully upholstered Pad
- Six 3" polyurethane wheels
- Powder coat finish
- U.S. Patent No.6,969,077



From creeper to chair in one motion



91000

Model	Capacity	Dimensions (L X H X W)	G.W.
91000	450 Lbs.	39-7/8" X 6-1/2" X 19"	23 Lbs.



ENGINE TRANSVERSE BAR & Z CREEPER