

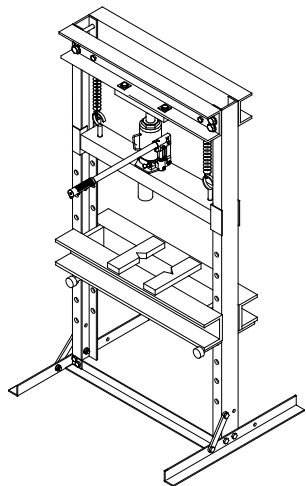
# Operating Instructions Manual



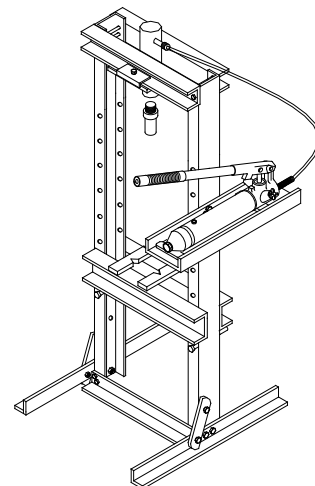
## Shop Press

**Model**  
**60120, 60123 & 65123**  
**60200**  
**60253**

**Capacity**  
**12 Ton**  
**20 Ton**  
**25 Ton**



*(60200 shown)*



*(60253 shown)*



This is the safety alert symbol. It is used to alert you to potential personal injury hazards. Obey all safety messages that follow this symbol to avoid possible injury or death.

**SFA Companies**  
<http://www.omegalift.com>

Read this manual and follow all the Safety Rules and Operating Instructions before using this product.

Printed in China  
60120-M1\_012013

## SAFETY and GENERAL INFORMATION

**Save these instructions.** For your safety, read, understand, and follow the information provided with and on this product before using. The owner and operator of this equipment shall have an understanding of this product and safe operating procedures before attempting to use. The owner and operator shall be aware that use and repair of this product may require special skills and knowledge. Instructions and safety information shall be conveyed in the operator's native language before use of this jack is authorized. If any doubt exists as to the safe and proper use of this jack, remove from service immediately.

**Inspect before each use.** Do not use if broken, bent, cracked or damaged parts are noted. Any press that appears damaged in any way, or operates abnormally shall be removed from service immediately. If any component of this product has been subjected to a shock load (a load dropped suddenly, unexpectedly upon it), immediately discontinue use until checked by a factory authorized service center (contact distributor or manufacturer for list of authorized service centers). It is recommended that an annual inspection be done by qualified personnel. Labels and Operator's Manuals are available from manufacturer.

## PRODUCT DESCRIPTION

This Shop Press is designed for automotive, truck, implement, fleet, and industrial repair shops where pressing, bending, straightening and forming, is required. Typical applications include installation and removal of alternator and power steering pump bearings, axle bearings, transmission bearings, seals, u-joints and others. It is not intended for use as an assembly table or as fixture stand used to secure a large, final assembly component. **Unlike** presses equipped with a separately mounted pump, the power unit on this press **can not** be equipped with a pressure gauge, therefore monitoring the load must be done by other means, such as a load cell w/ digital indicator. Whatever means is chosen, the load measuring means shall be calibrated annually.



**For Models 60123, 60253 and 65123:** To reduce the risk of personal injury and/or property damage, ensure that the rated working pressure of each pressurized attachment be equal to or greater than the rated working pressure developed by the hydraulic pump.

## SPECIFICATIONS

Model	Capacity	Dimensions (W x D x H)	Min. Working Space	Max. Working Space	Bed Position	Hydraulic Stroke
60120	12 Ton	22-3/4" x 18-1/2" x 59"	2-5/8"	34-3/8"	8	6"
60200	20 Ton	28" x 28" x 64-1/2"	2-1/2"	34-1/8"		

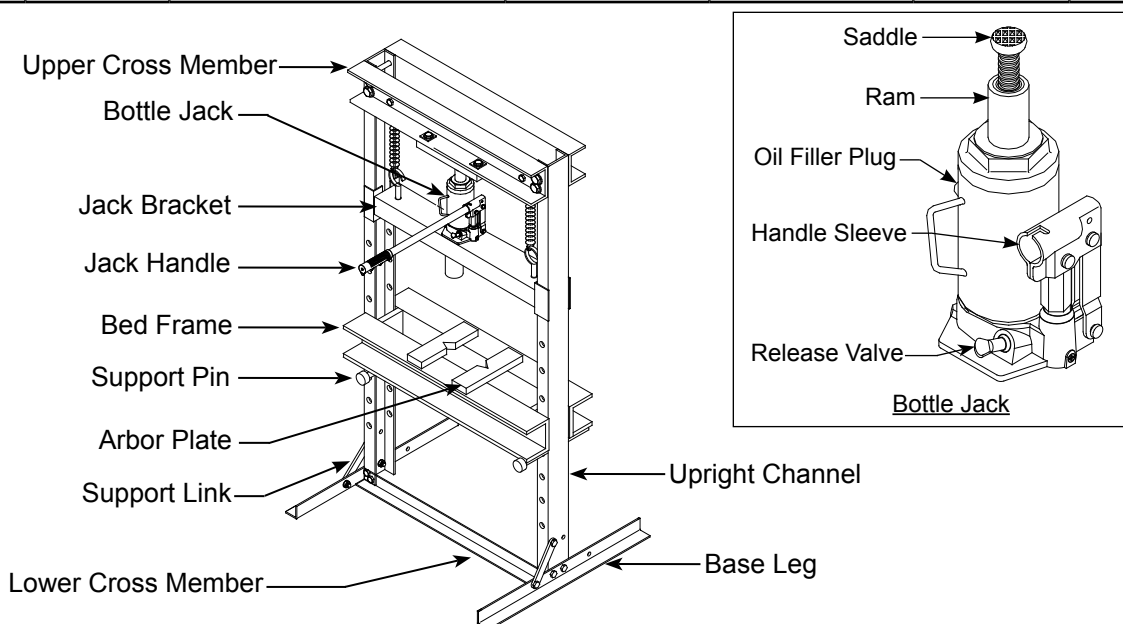


Figure 1 - 60120 & 60200 Shop Press Components (60200 shown)

## SPECIFICATIONS (con't)

Model	Capacity	Dimensions (W x D x H)	Min. Working Space	Max. Working Space	Bed Position	Hydraulic Stroke
60123	12 Ton	28" x 28" x 59"	4-5/8"	36-3/8"	8	6"
60253	25 Ton		2-1/2"	34-1/4"		
65123	12 Ton	21-1/4" x 16-1/8" x 31-1/2"	4"	17-5/8"	4	

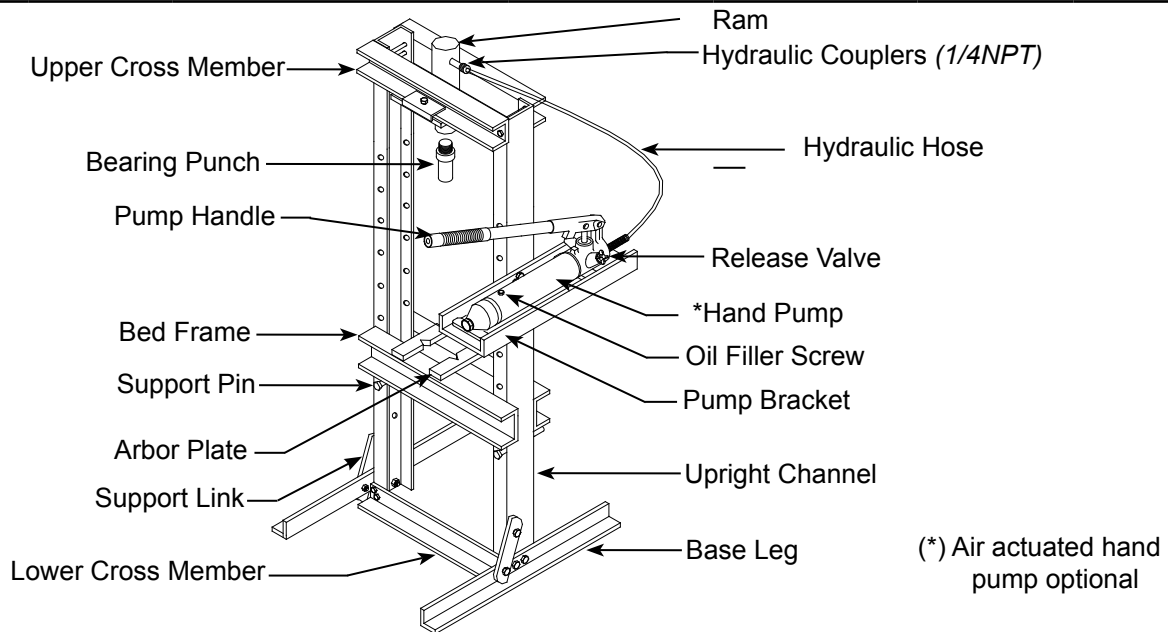


Figure 2 - 60123, 60253 & 65123 Shop Press Components (60253 shown)

## PREPARATION

### Before Use

- Verify that the product and application are compatible, if in doubt call Omega technical service (888) 332-6419.
- Before using this product, read the operator's manual completely and familiarize yourself thoroughly with the product, its components and recognize the hazards associated with its use.
- For Models 60120 & 60200:** To familiarize yourself with basic operation of bottle jack, use the notched (or stamped) end of provided handle to engage and turn the release valve:
  - Clockwise until firm resistance is felt to further turning. This is the '**CLOSED**' release valve position used to **extend** the ram.
  - Counter-clockwise, but no more than 1 full turn from the closed position. This is the '**OPEN**' release valve position used to **retract** the ram.
- For Models 60123, 60253 & 65123:** To familiarize yourself with basic operation of hand pump, turn the release valve:
  - Clockwise until firm resistance is felt to further turning. This is the '**CLOSED**' release valve position used to **extend** the ram.
  - Counter-clockwise, but no more than 1 full turn from the closed position. This is the '**OPEN**' release valve position used to **retract** the ram.
- For Models 60120 & 60200:** With ram fully retracted and release valve closed, pump the operating handle. If the ram responds immediately, press is ready for use. If ram does not respond, follow the Bleeding/Venting instructions.  
**For Models 60123, 60253 & 65123:** With release valve opened, remove the oil filler screw. Ensure the oil level is within 1/4" (6mm) of the opening. Reinstall the oil filler screw.
- For Models 60120 & 60200:** Check that the pump operates smoothly and that the extension screw will thread up/down easily before putting into service. Replace worn or damaged parts and assemblies with Omega authorized replacement parts only.

### Bleeding / Venting Trapped Air

With the release valve in the OPEN position (3b above) and with ram fully lowered, remove the oil filler plug. Insert handle into the handle sleeve; then pump 6 to 8 full strokes. This will help release any pressurized air which may be trapped within the reservoir. Oil level should be even with the bottom of the oil filler hole. Reinstall the oil filler plug.

### Assembly

**Model 60120:** (Refer to Figure 3)

**Note:** Do not tighten any bolts unless told to do so.

1. Attach base legs (1) and lower cross member (4) to upright channels (2) with bolts, flat washers, lock washers and nuts (3). Hand tighten only.
2. Attach support links (5) to the base (1) and upright channels (2) with bolts, flat washers, lock washers and nuts (3).
3. Carefully slide bed frame (6) down to lowest possible position between the upright channels (2).
4. Attach screw hooks (7) to the jack bracket (8) with nuts (9) as shown in figure 3. Leave nut untighten to provide easy spring attachment.
5. Slide the jack bracket (8) down between upright channels (2) onto the bed frame (6).
6. Attach upper cross member (10) to upright channels (2) with bolts, flat washers, lock washers and nuts (11).
7. Attach one end of the springs (15) to the axles of upper cross member (10) and the other end to the screw hooks (7) on the jack bracket.
8. Carefully place the bottle jack (16) between the head plate of upper cross member (10) and jack bracket (8). Tighten the nuts (9) that hold screw hooks (7) to prevent jack from inadvertently falling out.
9. **Tighten all applicable nut and bolt assemblies.**
10. Carefully bring the bed frame (6) up and secure it with pins (9).
11. Place the Arbor Plates (17) on Bed Frame (6).
12. The press is now ready to use. Don't forget to insert the handle (18) into handle sleeve of bottle jack.

**NOTICE:** Before *disassembly*, carefully slide bed to its fully lowered position.

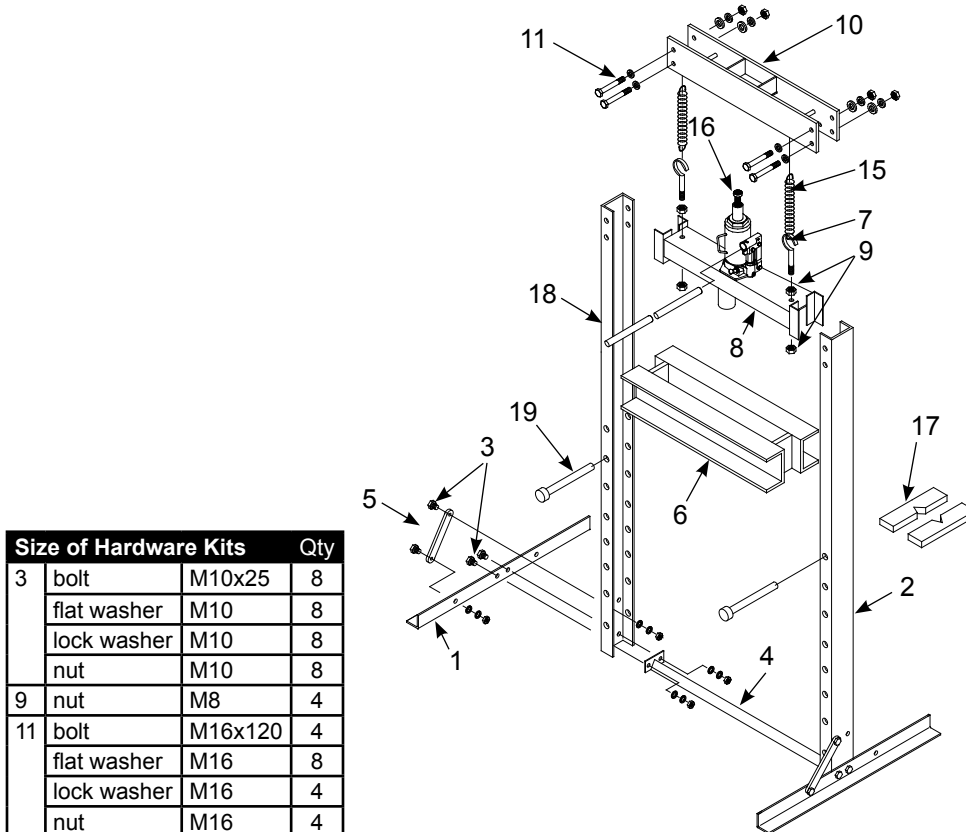


Figure 3 - Assembly Illustration for model 60120

## Assembly

**Model 60200:** (Refer to Figure 4)

**Note:** Do not tighten any bolts unless told to do so.

1. Attach base legs (1) to upright channels (2) with bolts, lock washers and nuts (3). Hand tighten only.
2. Attach lower cross member (4) to upright channels (2) with bolts, lock washers and nuts (3).
3. Attach support links (5) to the base (1) and upright channels (2) with bolts, lock washers and nuts (3).
4. Carefully slide bed frame (6) down to lowest possible position between the upright channels (2).
5. Attach the screw hooks (7) to the jack bracket (8) with nuts (9). Leave nut untighten to provide easier spring attachment later.
6. Slide the jack bracket (8) down between upright channels (2) onto the bed frame (6).
7. Attach upper cross members (10) to upright channels (2) with bolts, flat washers, lock washers and nuts (11).
8. Attach head plate (12) to upper cross members (10) with bolts, lock washers and square washers (13).
9. Attach two bolts, lock washers and nuts (14) thru the upper cross member (10). Then attach one end of the springs (15) to the bolts (14) and the other end to the screw hooks (7) on the jack bracket.
10. Carefully place the bottle jack (16) between the head plate (12) and jack bracket (8). Tighten the nuts (9) that hold screw hooks (7) to prevent jack from inadvertently falling out.
11. **Tighten all applicable nuts and bolt assemblies.**
12. Carefully bring the bed frame (6) up and secure it with pins (19).
13. Place the Arbor Plates (17) on Bed Frame (6).
14. The press is now ready to use. Don't forget to insert the handle (18) into handle sleeve of bottle jack

**NOTICE:** Before *disassembly*, carefully slide bed to its fully lowered position.

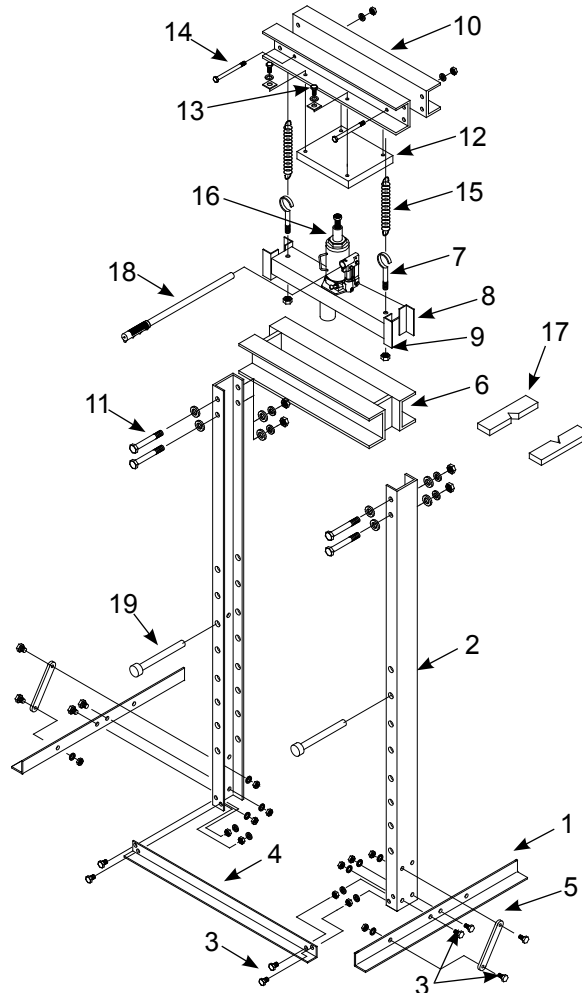


Figure 4 - Assembly Illustration for model 60200

Size of Hardware Kits			Qty
3	bolt	M10x25	12
	lock washer	M10	12
	nut	M10	12
9	nut	M8	2
11	bolt	M16x150	4
	flat washer	M16	8
	lock washer	M16	4
13	nut	M16	4
	bolt	M10x25	4
	lock washer	M10	4
14	square washer	M10	4
	bolt	M10x130	2
	lock washer	M10	2
	nut	M10	2

## Assembly

Models 60123 & 60253: (Refer to Figure 5)

**Note:** Do not tighten any bolts unless told to do so.

1. Attach base legs (1) to upright channels (2) with bolts, lock washers and nuts (3). Hand tighten only.
2. Attach lower cross member (4) to upright channels (2) with bolts, lock washers and nuts (3).
3. Attach support links (5) to the base (1) and upright channels (2) with bolts, lock washers and nuts (3).
4. Carefully slide bed frame (6) down to lowest possible position between the upright channels (2).
5. Slide head plate (7) to into upper cross members (8). Then, secure with bolts (9).
6. Attach the upper cross members assembly (8) to the upright channels (2) with bolts, flat washers, lock washers and nuts (10).
7. Thread the ram (11) to head plate (7) on upper cross members (8).
8. Attached pump support bracket (12) to upright channel (2) with three bolts, lock washers and nuts (3).
9. **Tighten all applicable nuts and bolt assemblies.**
10. Place the hand pump (13) on pump support bracket (12).
11. To hold the pump, attach the fixed buckets (14) and secure with bolts, lock washers and nuts (3).
12. Connect the male coupler end of hydraulic hose (15) to the female coupler of the ram (11) to complete the connections.
13. Carefully bring the bed frame (6) up and secure it with pins (16).
14. Place the Arbor Plates (17) on Bed Frame (6).
15. When necessary, replace the saddle of ram (11) with the bearing punch (18).
16. The press is now ready to use.

**NOTICE:** Before *disassembly*, carefully slide bed to its fully lowered position.

Model 60123			
Size of Hardware Kits			Qty
3	bolt	M10x25	19
	lock washer	M10	19
	nut	M10	19
9	bolt	10x25	2
10	bolt	M16x115	4
	flat washer	M16	8
	lock washer	M16	4
	nut	M16	4

Model 60253			
Size of Hardware Kits			Qty
3	bolt	M10x25	19
	lock washer	M10	19
	nut	M10	19
9	bolt	10x25	2
10	bolt	M16x150	4
	flat washer	M16	8
	lock washer	M16	4
	nut	M16	4

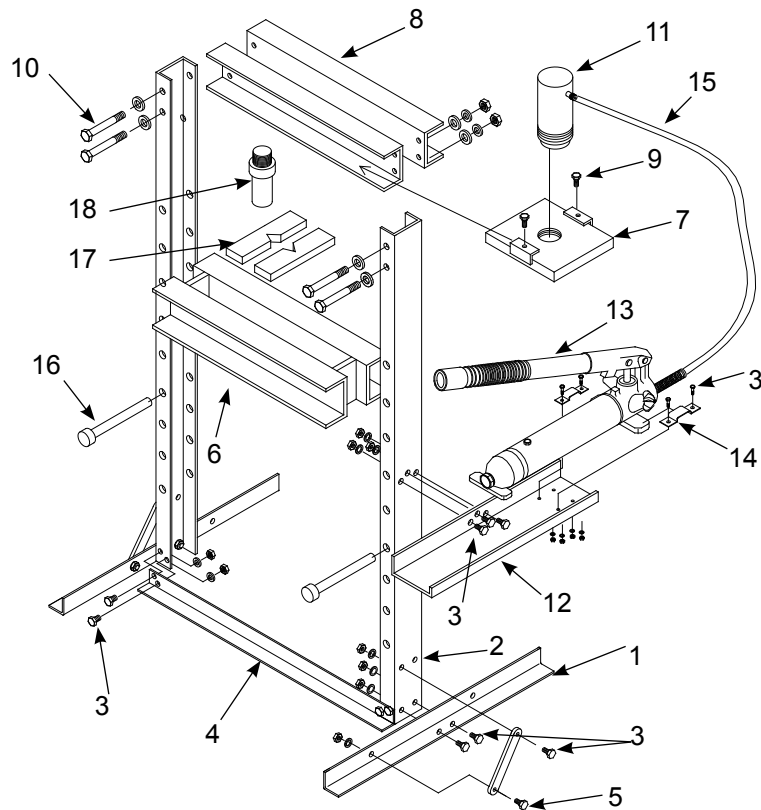


Figure 5 - Assembly Illustration for model 60123 & 60253

## Assembly

**Model 65123:** (Refer to Figure 6)

**Note:** Do not tighten any bolts unless told to do so.

1. Attach base legs (1) and lower cross member (4) to upright channels (2) with bolts, lock washers and nuts (3). Hand tighten only.
2. Attach support links (5) to the base (No.1) and upright channels (2) with bolts, lock washers and nuts (3).
3. Carefully slide bed frame (6) down to lowest possible position between the upright channels (2).
4. Slide head plate (7) to into upper cross members (8). Then, secure with bolts (9).
5. Attach the upper cross members assembly (8) to the upright channels (2) with bolts, flat washers, lock washers and nuts (10).
6. Thread the ram (11) to head plate (7) on upper cross members (8).
7. **Tighten all applicable nuts and bolt assemblies.**
8. Connect the male coupler end of hydraulic hose (12) to the female coupler of the ram (11) to complete the connections.
9. Bring the bed frame (6) up and secure it with pins (13).
10. Place the Arbor Plates (14) on Bed Frame (6).
11. When necessary, replace the saddle of ram (11) with the bearing punch (15).
12. The press is now ready to use.

**NOTICE:** Before *disassembly*, carefully slide bed to its fully lowered position.

Model 65123			
Size of Hardware Kits			Qty
3	bolt	M10x30	8
	lock washer	M10	8
	nut	M10	8
9	bolt	10x30	2
10	bolt	M16x120	4
	flat washer	M16	8
	lock washer	M16	4
	nut	M16	4

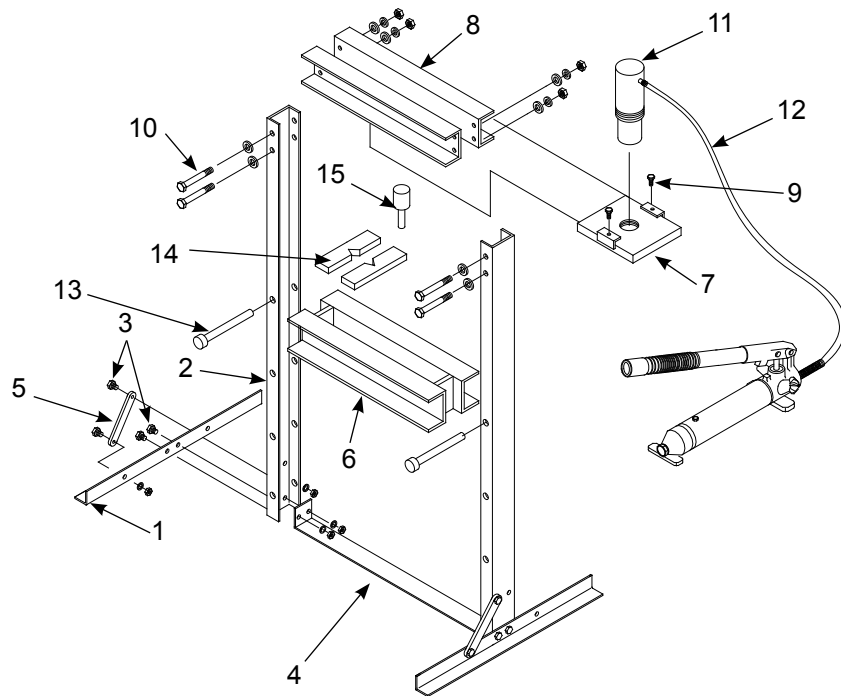


Figure 6 - Assembly Illustration for model 65123

## **WARNING**

- **Study, understand, and follow** all printed materials provided with/on this product before use.
- **Always** use an adequately rated, calibrated load cell with digital indicator to monitor pressing force!
- **Do not** exceed rated capacity.
- Use the device only on a hard, level surface.
- Always wear safety goggles when working on or near this equipment.
- Keep hands, feet and all other body parts away from loading area.
- Never leave loaded press unattended.
- Projectile hazard! Ensure workpiece and any attachment is centrally loaded and a **safety shield is installed** around workpiece to help protect against projectiles.
- Do not modify this device beyond installing a shield to protect against projectiles.
- Ensure the user is familiar with the controls and operational characteristics of this product and aware of the potential hazards associated with its use.
- **Failure** to heed these markings may **result in personal injury and/or property damage.**

### **For Models 60123, 60253 & 65123 ONLY:**

- **Always** install **and** monitor an in-line, calibrated pressure gauge while operating.
- Always inspect hoses and connections for damage prior to use.

## **OPERATION**



**Projectile Hazard!** Wear ANSI approved eye protection. Never stand directly in front of loaded press. Ensure that workpiece is center-loaded and secure. Reduce risk of flying debris by carefully following all operating instructions. Know your press and hazards associated with its use.



**Crush Hazard!** Keep hands and feet from bed area at all times.

1. Insert the support pins to desired height, then lower the bed. Ensure bed frame is fully rested on the support pins.
2. Place arbor plates on the bed frame as needed.
3. Place workpiece on bed frame, using every precaution necessary to ensure your safety and prevent property damage. Position workpiece in a manner which will not allow it to inadvertently fall from bed.
4. a.) **For Models 60120 & 60200:** With notched (or stamped) end of jack handle, close release valve by turning it clockwise firmly, until tight.  
b.) **For Models 60123, 60253 & 65123:** Close release valve by turning it clockwise firmly, and pump the handle to extend the ram until ram nears workpiece.
5. Pump until ram nears workpiece.
6. Align ram and workpiece to ensure center-loading.
7. Apply load to workpiece by pumping handle. **Do not overload workpiece.**

**For Models 60123, 60253 & 65123:** monitor the pressure gauge and calculate the applied load using the following formula as basic guideline: **Force = Pressure X Area**

1. Effective **Area** of models 60123, 65123= 2.41 in<sup>2</sup>

2. Effective **Area** of model 60253= 5.14 in<sup>2</sup>

**Problem 1:** Determine the applied load in lbs. force on a workpiece being pressed by a 60123 whose pressure gauge is reading 9000 psi.

**Solution 1:** 9000 X 2.41= **21,690 lbsf**

**Problem 2:** Determine the applied load in lbs. force on a workpiece being pressed by a 60253 whose pressure gauge is reading 2200 psi.

**Solution 2:** 2200 X 5.14= **11,308 lbsf**

8. Stabilize workpiece in a manner which will not allow it to inadvertently fall from the bed once the load is removed, then turn release valve counter-clockwise to retract the ram and remove workpiece. Do not turn the release valve counter-clockwise more a 1 full turn.

**Note:** To protect your ram, do not continue to operate pump after it is fully extended or retracted.



To reduce the risk of personal injury and/or property damage, ensure that the rated working pressure of each pressurized attachment be **equal to or greater than** the rated working pressure developed by the hydraulic pump.



## OPERATION (con't)

9. Stabilize workpiece in a manner which will not allow it to inadvertently fall from the bed once the load is removed, then turn release valve counter-clockwise to retract the ram and remove workpiece. Do not turn the release valve counter-clockwise more a 1 full turn.

**!** *For Models 60120 & 60200 Only: Use only handle provided by manufacturer. The handle provided with this product will safely engage the release valve of bottle jack and operate the handle sleeve. If handle is worn, operates abnormally, or will not positively engage the release valve, **STOP**, discontinue use of the jack until a factory replacement handle and be acquired.*

**!** *For Models 60120 & 60200 Only: Unlike presses equipped with a separately mounted pump, the power unit on this press **can not** be equipped with a pressure gauge, therefore monitoring the load **must** be done by other means, such as a load cell w/digital indicator. Whatever means is chosen, the load measuring means shall be calibrated annually.*

**!** *The hydraulic power unit provided with this device is intended to be used as an integral part of this press and not as a stand-alone jacking device separate of the press. **Never** use the hydraulic power unit provided with this press for any purpose other than that for which it is intended.*

## MAINTENANCE

Before each use, inspect press for damage. Do not use if bent, broken, cracked, leaking or otherwise damaged components are noted. Periodically, lightly oil all moving parts, including the pump piston and ram.

### For Models 60120 & 60200: Adding/Changing oil to bottle jack

**Important:** Use only good grade hydraulic jack oil. Avoid mixing different types of fluid and NEVER use brake fluid, turbine oil, transmission fluid, motor oil or glycerin. Improper fluid can cause premature failure of the jack and the potential for sudden and immediate loss of load. Premium hydraulic jack oil or equivalent recommended.

1. Remove jack from press frame.
2. With ram fully lowered and pump piston fully depressed, set jack in its upright, level position. Remove oil filler plug.
3. Drain used fluid into a suitable container  
**Note:** Dispose of hydraulic oil in accordance with local regulations.
4. Fill until oil is level with or just below filler plug hole.
5. Perform Bleeding/Venting Trapped Air procedure.

### For Models 60123, 60253 & 65123 Only: Adding/Changing oil to hand pump

**Important:** Use only premium grade hydraulic oil. Avoid mixing different types of fluid and NEVER use brake fluid, turbine oil, transmission fluid, motor oil or glycerin. Improper fluid can cause premature failure of the ram and pump and the potential for sudden and immediate loss of load. Premium hydraulic jack oil or equivalent recommended.

For best results, change fluid once a year.

1. Depressurize and disconnect hydraulic hose from application.
2. Remove oil filler screw located on top of the reservoir.
3. Pour used fluid into a sealable container.  
**Note:** Dispose of hydraulic fluid in accordance with local regulations.
4. With pump in its upright, horizontal position, use a small funnel to fill reservoir to within 1/4" (6 mm) of the opening.
5. Wipe up any spilled fluid and reinstall the vented oil filler plug.
6. Perform Bleeding/Venting Trapped Air procedure.

### Bleeding/Venting Trapped Air procedure:

1. Place pump at a higher elevation than the hose and ram as shown in figure 7.
2. Operate pump to fully extend and retract the ram 2 or 3 times. The objective is to force the air bubbles up hill and back to the pump reservoir.
3. To bleed the air from pump reservoir, simply open the oil filler screw. Re-install after bleeding.

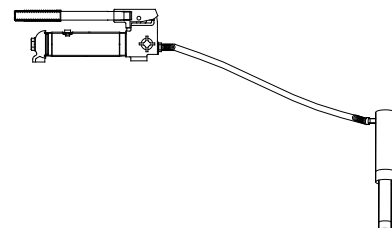


Figure 7 - Illustration to bleed air from system

### Rust prevention

Check ram and pump piston for signs of rust on a regular basis. Clean as needed with a lint free, oil saturated cloth.

### For Models 60123, 60253 & 65123 Only:

#### How to remove faulty coupler:

If ram does not retract: Depressurize pump and hose, then remove the ram from application. Disconnect and replace with new coupler.

**Important:** Do not attempt to grasp ram with pliers or wrench without first wrapping the jaws of such tool with rags or similar padding.

## TROUBLESHOOTING

Symptom	Possible Causes	Corrective Action
Ram will not press load	<ul style="list-style-type: none"><li>• Release valve not tightly closed</li><li>• Overload condition</li></ul> <b>For Models 60123, 60253 &amp; 65123:</b> <ul style="list-style-type: none"><li>• Faulty/ Loose couplers</li><li>• Oil level in pump is low</li><li>• Release valve not fully closed</li></ul>	<ul style="list-style-type: none"><li>• Ensure release valve tightly closed</li><li>• Remedy overload condition</li><li>• Replace/ Tighten couplers</li><li>• Fill and bleed system</li><li>• Tighten release valve</li></ul>
Ram bleeds off after press operation	<ul style="list-style-type: none"><li>• Release valve not tightly closed</li><li>• Ram malfunction</li></ul>	<ul style="list-style-type: none"><li>• Ensure release valve tightly closed</li><li>• Contact Omega Tech. Service</li></ul>
Ram will not retract after unloading	<ul style="list-style-type: none"><li>• Reservoir overfilled</li><li>• Linkage binding</li></ul> <b>For Models 60123, 60253 &amp; 65123:</b> <ul style="list-style-type: none"><li>• Couplers loose</li></ul>	<ul style="list-style-type: none"><li>• Drain fluid to proper level</li><li>• Clean and lubricate moving parts</li><li>• Check couplers</li></ul>
Poor pressing performance	<ul style="list-style-type: none"><li>• Fluid level low</li><li>• Air trapped in system</li></ul>	<ul style="list-style-type: none"><li>• Ensure proper fluid level</li><li>• Follow Bleeding/Venting instructions on Pg 4 or Pg 9 for <b>Models 60123, 60253 &amp; 65123.</b></li></ul>
Ram will not extend to full extension	<ul style="list-style-type: none"><li>• Fluid level low</li></ul>	<ul style="list-style-type: none"><li>• Ensure proper fluid level</li></ul>
Oil leak from ram	<ul style="list-style-type: none"><li>• Ram malfunction</li></ul>	<ul style="list-style-type: none"><li>• Contact Omega Tech. Service</li></ul>

# REPLACEMENT PARTS

Not all components of the press are replacement items, but are illustrated as a convenient reference of location and position in the assembly sequence. When ordering parts, please give the Model number and parts description. Call or write for current pricing: SFA Companies 10939 N. Pomona Ave. Kansas City, MO 64153, U.S.A.  
 E-Mail: sales@omegalift.com Tel: (888) 332-6419 Fax: (816) 891-6599 Website: http://www.omegalift.com

Item	Part# for model:		Description	Qty
	60120	60200		
1	T060-05000-000	T126-00002-000	Upper Cross Member	1 (2 pcs for 60200)
2	T060-00001-100		Spring	2
3	T060-00002-100		Screw Hook	2
4	B120-10000-000	B200-10000-000	Bottle Jack	1
5	T060-04000-000	T126-02000-000	Jack Bracket	1
6	B080-20000-000	T126-03000-000	Jack Handle	1
7	T060-00003-100	T126-00001-000	Upright Channel	2
8	T060-02000-000	T125-01000-000	Support Pin	2
9	T184-00004-000		Support Link	2
10	T060-00006-000	T184-00005-000	Base Leg	2
11	T060-03000-000	T125-02000-000	Bead Frame	1
12	T060-01000-100	T184-00006-000	Lower Cross Member	1
13	T184-90009-K01	T125-90009-K01	Arbor Plates Set	1
14	-	T126-01000-000	Head Plate	1
-	T060-06000-000	T126-04000-000	Hardware Kit	-

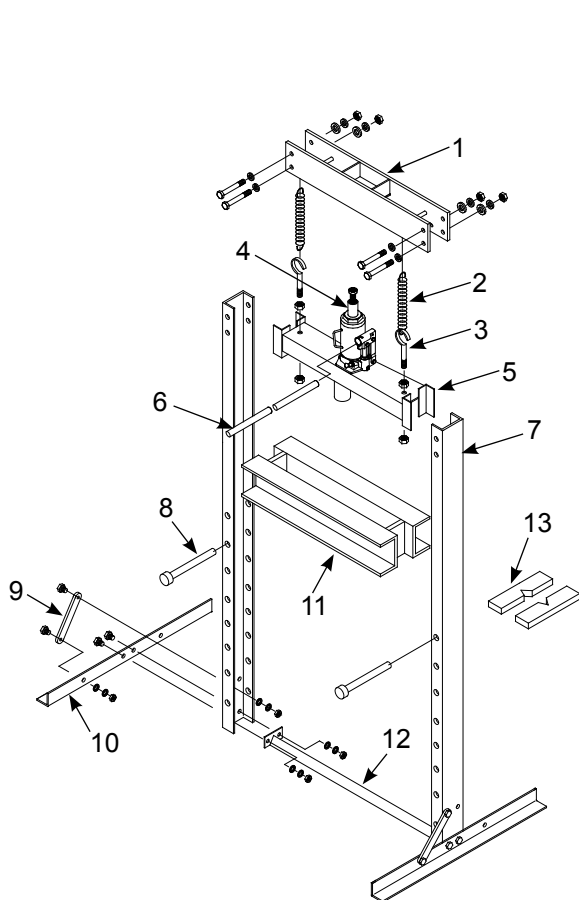


Figure 8 - Replacement Parts Illustration for 60120

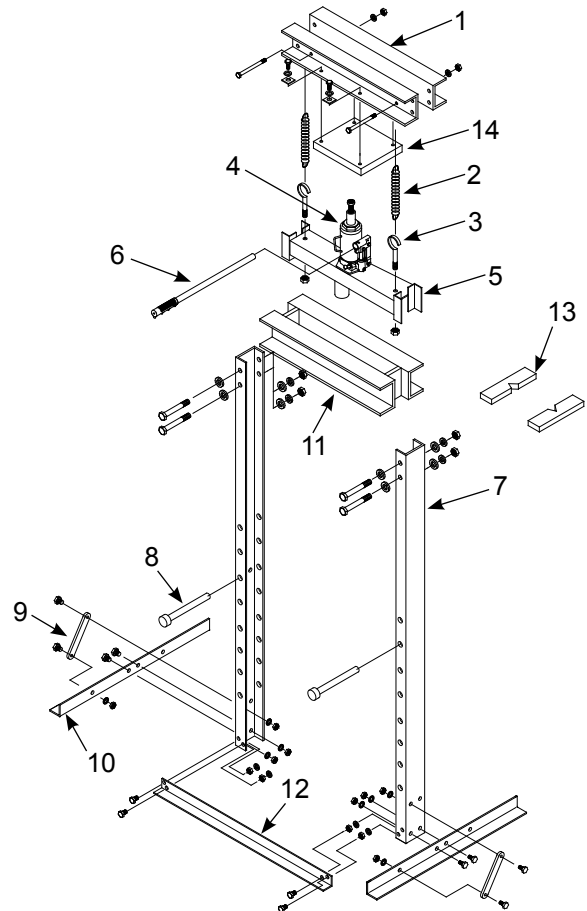


Figure 9 - Replacement Parts Illustration for 60200

# REPLACEMENT PARTS

Not all components of the press are replacement items, but are illustrated as a convenient reference of location and position in the assembly sequence. When ordering parts, please give the Model number and parts description. Call or write for current pricing: SFA Companies 10939 N. Pomona Ave. Kansas City, MO 64153, U.S.A.  
 E-Mail: sales@omegalift.com Tel: (888) 332-6419 Fax: (816) 891-6599 Website: http://www.omegalift.com

Item	Part# for model:			Description	Qty
	60253	60123	65123		
1	T125-00001-000	T184-00001-000	T213-00001-000	Upper Cross Member (1pc for 65123)	2
2	T125-00003-000	T184-00008-000		Punch	1
3	T125-90009-K01	T184-90009-K01		Arbor Plates (pair)	1
4	T125-02000-000	T184-02000-000	T213-01000-000	Bed Frame	1
5	T125-01000-000	T184-01000-000		Support Pin	2
6	T125-00002-000	T184-00002-000	T213-00002-000	Upright Channel	2
7	T184-00006-000		T213-00003-000	Lower Cross Member	1
8	T184-00004-000			Support Link	2
9	T184-00005-000		T213-00004-000	Base Leg	2
10	T184-00003-000		-	Pump Bracket	1
11	F100-90119-K02			Hand Pump	1
12	T125-00008-000		-	Fixed Bracket	2
13	F040-90107-K02			Oil Filler Screw	1
14	T125-03000-000	T184-03000-000		Head Plate	1
15	F250-30000-000		F100-30000-000	Ram	1
16	F040-90009-K04			Coupler, Female 1/4NPT	1
	F040-90009-K05			Coupler, Male 1/4NPT	1
17	F100-90009-K01			Pump Handle	1
-	T125-04000-000	T184-04000-000	T213-02000-000	Hardware Kit	-
*	55101			Air Actuated Pump (option)	-

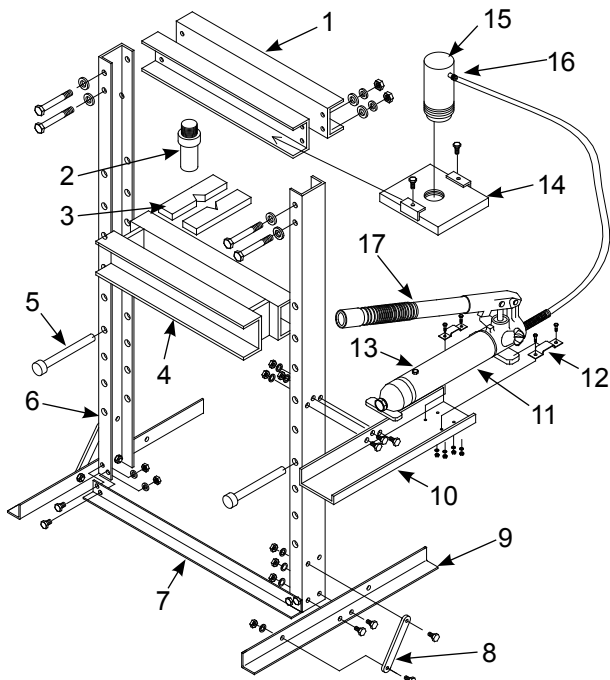


Figure 10 - Parts Illustration for 60123 & 60253

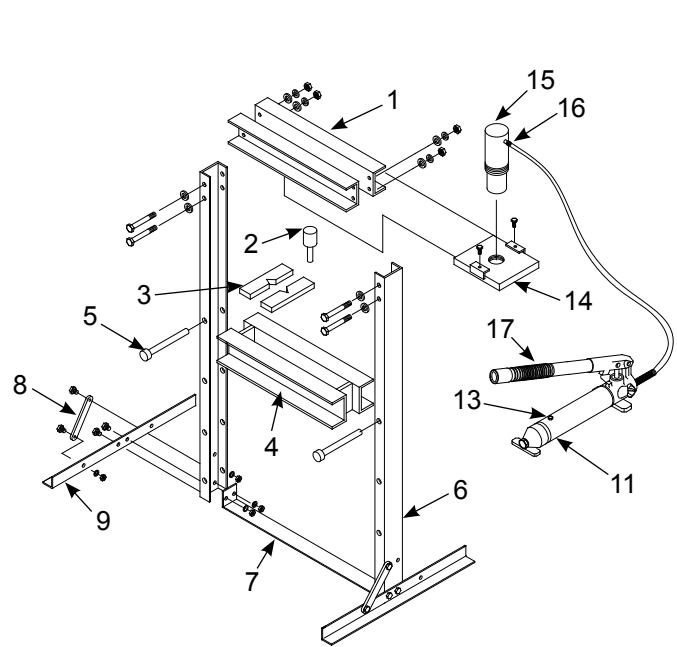


Figure 11 - Parts Illustration for 65123

## ONE YEAR LIMITED WARRANTY

For a period of one (1) year from date of purchase, SFA Companies will repair or replace, at its option, without charge, any of its products which fails due to a defect in material or workmanship under normal usage. This limited warranty is a consumer's exclusive remedy.

Performance of any obligation under this warranty may be obtained by returning the warranted product, freight prepaid, to SFA Companies Warranty Service Department, 10939 N. Pomona Ave., Kansas City, MO 64153.

Except where such limitations and exclusions are specifically prohibited by applicable law, (1) THE CONSUMER'S SOLE AND EXCLUSIVE REMEDY SHALL BE THE REPAIR OR REPLACEMENT OF DEFECTIVE PRODUCTS AS DESCRIBED ABOVE. (2) SFA Companies SHALL NOT BE LIABLE FOR ANY CONSEQUENTIAL OR INCIDENTAL DAMAGE OR LOSS WHATSOEVER. (3) ANY IMPLIED WARRANTIES, INCLUDING WITHOUT LIMITATION THE IMPLIED WARRANTIES OF MERCHANTABILITY AND FITNESS FOR A PARTICULAR PURPOSE, SHALL BE LIMITED TO ONE YEAR, OTHERWISE THE REPAIR, REPLACEMENT OR REFUND AS PROVIDED UNDER THIS EXPRESS LIMITED WARRANTY IS THE EXCLUSIVE REMEDY OF THE CONSUMER, AND IS PROVIDED IN LIEU OF ALL OTHER WARRANTIES, EXPRESS OR IMPLIED. (4) ANY MODIFICATION, ALTERATION, ABUSE, UNAUTHORIZED SERVICE OR ORNAMENTAL DESIGN VOIDS THIS WARRANTY AND IS NOT COVERED BY THIS WARRANTY.

Some states do not allow limitations on how long an implied warranty lasts, so the above limitation may not apply to you. Some states do not allow the exclusion or limitation of incidental or consequential damages, so the above limitation or exclusion may not apply to you. This warranty gives you specific legal rights, and you may also have other rights, which vary from state to state.



SFA Companies  
10939 N. Pomona Ave. Kansas City, MO 64153  
888-332-6419  
sales@omegalift.com

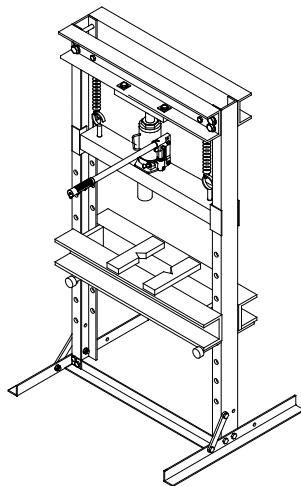
# Manuel des consignes d'utilisation



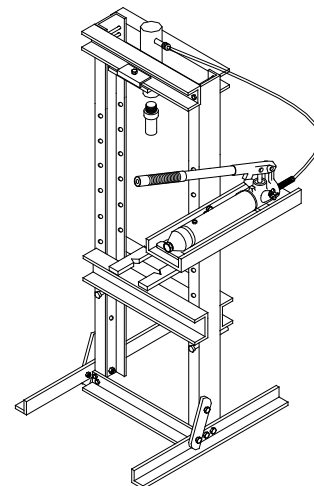
## Presses d'atelier

**Modèles**  
60120, 60123 et 65123  
60200  
60253

**Capacité**  
10 886 kg (12 tonnes américaines)  
18 144 kg (20 tonnes américaines)  
22 680 kg (25 tonnes américaines)



(Modèle 60200 illustré)



(Modèle 60253 illustré)



Voici le symbole signalant un danger pour la sécurité. Il est utilisé pour vous alerter des dangers potentiels de blessures. Respectez tous les messages de sécurité qui suivent ce symbole afin d'éviter les blessures et la mort.

**SFA Companies**  
<http://www.omegalift.com>

Lisez ce manuel et observez toutes les consignes de sécurité et d'utilisation avant d'utiliser ce produit.

Imprimé en Chine  
60120-M1\_012013

## INFORMATIONS GÉNÉRALES ET INFORMATIONS RELATIVES À LA SÉCURITÉ

**Conservez ces instructions.** Pour votre sécurité, lisez, comprenez et respectez toutes les consignes fournies avec ce produit ou se trouvant sur celui-ci avant de l'utiliser. Le propriétaire, ainsi que l'utilisateur, doit comprendre le fonctionnement de ce produit et les consignes de sécurité associées à son utilisation avant de s'en servir. Ces personnes doivent aussi savoir que, pour utiliser ou réparer ce produit, il peut être nécessaire d'avoir des connaissances ou des habiletés spéciales. Avant que l'utilisation de ce produit ne soit autorisée, il faut faire connaître à l'opérateur, dans sa langue maternelle, les instructions et les informations relatives à la sécurité. S'il y a des doutes quant à la façon adéquate et sécuritaire de se servir de ce cric, il faut en cesser l'utilisation immédiatement.

**Inspectez avant chaque utilisation.** N'utilisez pas le produit s'il y a des pièces brisées, déformées, fissurées ou endommagées. Il faut immédiatement cesser l'utilisation de toute presse qui est endommagée d'une quelconque façon ou fonctionne de manière anormale. Si l'on pense que ce produit a été soumis à une surcharge d'impact (charge qui serait tombée accidentellement dessus), cessez immédiatement de l'utiliser et faites-le vérifier par un centre de réparation autorisé par l'usine (communiquez avec le distributeur ou le fabricant pour avoir une liste des endroits autorisés). Il est recommandé qu'un personnel qualifié inspecte l'appareil annuellement. Il est possible de se procurer d'autres étiquettes et d'autres manuels auprès du fabricant.

## DESCRIPTION DU PRODUIT

Cette presse d'atelier est conçue pour les ateliers de réparation industrielle, les garages automobiles, les camions, la machinerie et les flottes où l'on doit effectuer des travaux de compression, de pliage, de dressage et de formage. Les opérations types pouvant être faites avec de telles presses comprennent l'installation et l'enlèvement de joints d'étanchéité, de joints universels, de paliers d'alternateurs et de pompes de servodirection, de paliers d'essieux et de paliers de transmissions, ainsi que d'autres pièces. Les presses ne sont pas conçues pour être utilisées en tant qu'établis pour faire de l'assemblage ou en tant que supports de montage pour fixer de grands composants d'assemblage final. **Contrairement** aux presses équipées d'une pompe installée séparément, le dispositif de génération de cette presse **ne peut pas** être muni d'un manomètre, ainsi le chargement doit être surveillé à l'aide d'un autre appareil, comme un dynamomètre piézoélectrique avec indicateur numérique. Peu importe l'appareil choisi, l'appareil de mesure de la charge doit être calibré chaque année.



**Modèles 60123, 60253 et 65123 :** Pour diminuer les risques de blessures et de dommages matériels, assurez-vous que la pression nominale de chaque composant sous pression est égale ou supérieure à la pression nominale produite par la pompe hydraulique.

## SPÉCIFICATIONS

Modèles	Capacité	Dimensions (L x P x H)	Espace de travail minimal	Espace de travail maximal	Position de la table	Course hydraulique
60120	10 886 kg (12 t. amér.)	57,79 x 46,99 x 149,86 cm (22-3/4 x 18-1/2 x 59 po)	6,67 cm (2-5/8 po)	87,31 cm (34-3/8 po)	8	15,24 cm (6 po)
60200	18 144 kg (20 t. amér.)	71,12 x 71,12 x 163,83 cm (28 x 28 x 64-1/2 po)	6,35 cm (2-1/2 po)	86,68 cm (34-1/8 po)		

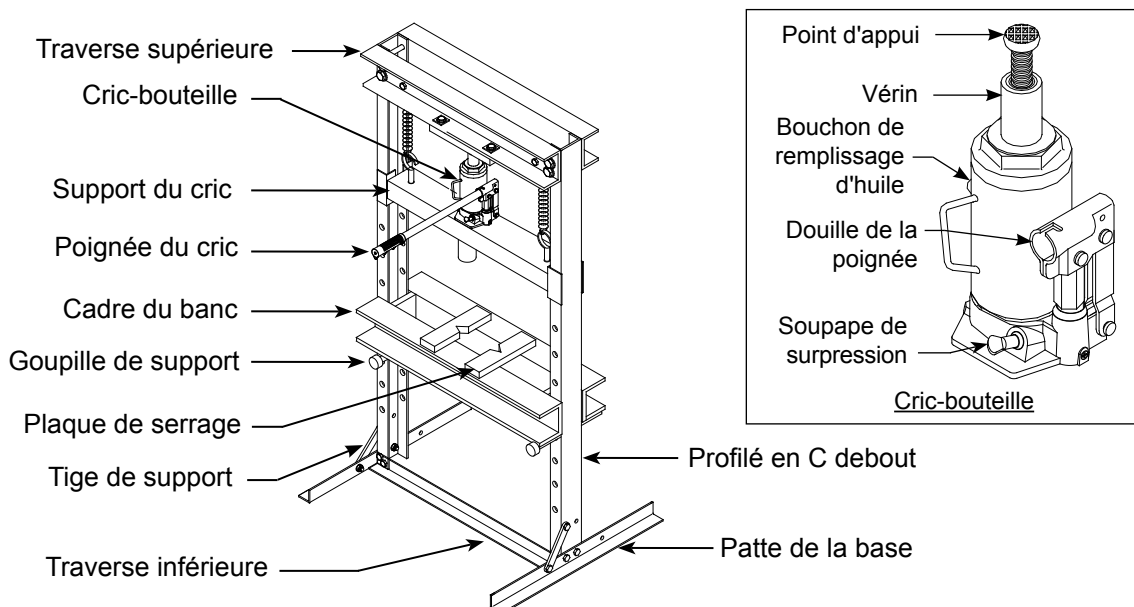


Figure 1 - Composants d'une presse d'atelier 60120 et 60200 (modèle 60200 illustré)

## SPÉCIFICATIONS (suite)

Modèles	Capacité	Dimensions (L x P x H)	Espace de travail min.	Espace de travail max.	Position de la table	Course hydraulique
60123	10 886 kg (12 t. amér.)	71,12 x 71,12 x 149,86 cm (28 x 28 x 59 po)	11,75 cm (4-5/8 po)	92,39 cm (36-3/8 po)	8	15,24 cm (6 po)
60253	22 680 kg (25 t. amér.)		6,35 cm (2-1/2 po)	87 cm (34-1/4 po)		
65123	10 886 kg (12 t. amér.)	53,98 x 40,96 x 80,01 cm (21-1/4 x 16-1/8 x 31-1/2 po)	10,16 cm (4 po)	44,77 cm (17-5/8 po)	4	

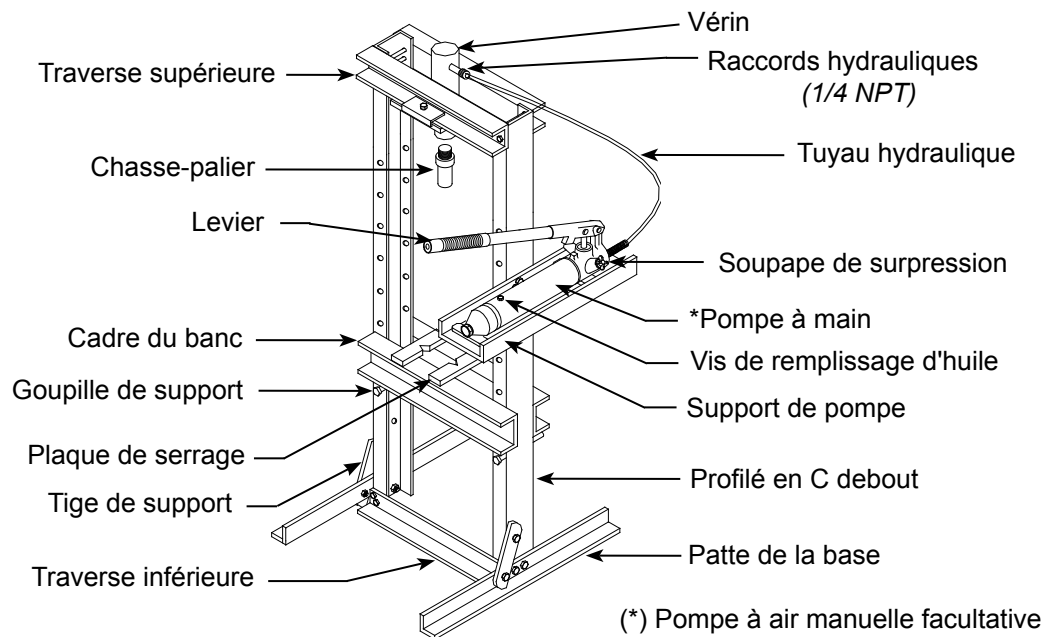


Figure 2 - Composants d'une presse d'atelier 60123, 60253 et 65123 (modèle 60253 illustré)

## PRÉPARATION

### Avant l'utilisation

- Vérifiez que le produit et son utilisation sont compatibles. Si vous avez des doutes, appelez le soutien technique pour les produits Omega au 1 888 332-6419.
- Avant d'utiliser ce produit, lisez le manuel d'utilisation au complet et familiarisez-vous parfaitement avec le produit et ses composants, et identifiez les dangers associés à son utilisation.
- Modèles 60120 et 60200** : Afin de vous familiariser avec le fonctionnement de base du cric-bouteille, utilisez l'extrémité de la poignée de levage avec une encoche (ou estampe) pour enclencher et tourner la soupape de surpression :
  - Dans le sens horaire jusqu'à ce que vous sentiez une forte résistance au mouvement. C'est la position « **FERMÉE** » de la soupape de surpression utilisée pour **faire descendre** le piston.
  - Dans le sens antihoraire, mais pas plus d'un tour complet à partir de la position fermée. C'est la position « **OUVERTE** » de la soupape de surpression utilisée pour **faire monter** le piston.
- Modèles 60123, 60253 et 65123** : Afin de vous familiariser avec le fonctionnement de base de la pompe à main, tournez la soupape de surpression :
  - Dans le sens horaire jusqu'à ce que vous sentiez une forte résistance au mouvement. C'est la position « **FERMÉE** » de la soupape de surpression utilisée pour **faire descendre** le piston.
  - Dans le sens antihoraire, mais pas plus d'un tour complet à partir de la position fermée. C'est la position « **OUVERTE** » de la soupape de surpression utilisée pour **faire monter** le piston.
- Modèles 60120 et 60200** : Lorsque le piston est complètement rentré et que la soupape de surpression est fermée, pesez sur le levier. Si le piston réagit immédiatement, la presse peut maintenant être utilisée. Si ce n'est pas le cas, suivez les instructions de la section « Purge de l'air emprisonné ».
 

**Modèles 60123, 60253 et 65123** : Enlevez la vis de remplissage d'huile une fois la soupape de surpression ouverte. Assurez-vous que le niveau d'huile se trouve à une distance égale ou inférieure à 6 mm (1/4 po) de l'ouverture. Remettez la vis.
- Modèles 60123 et 60200** : Vérifiez que le levier fonctionne parfaitement et que la vis de rallonge peut être vissée ou dévissée facilement avant d'utiliser le cric. Remplacez les pièces et les assemblages usés ou endommagés seulement par des pièces de rechange autorisées par Omega.



## Purge de l'air emprisonné

Lorsque la soupape de surpression est à la position OUVERTE (étape 3 b. à la page 16) et que le piston est à son niveau minimal, retirez le bouchon de remplissage d'huile. Insérez le levier dans la douille de la poignée, puis abaissez et levez le levier le plus possible de six à huit fois. Cela va faciliter la libération de tout air pressurisé pouvant être emprisonné dans le réservoir. Le niveau d'huile devrait se situer à la hauteur du fond du trou de remplissage d'huile. Remettez le bouchon.

## Assemblage

**Modèle 60120** : (voir figure 3).

**Remarque** : Ne serrez pas les boulons avant qu'on ne vous le demande.

1. Fixez les pattes de la base (1) et la traverse inférieure (4) aux profilés en C debout (2) avec des boulons, des rondelles plates, des rondelles de blocage et des écrous (3). Serrez-les seulement à la main.
2. Fixez les tiges de support (5) aux pattes de la base (1) et aux profilés en C (2) avec des boulons, des rondelles de blocage et des écrous (3).
3. Glissez le cadre du banc (6) le plus possible vers le bas entre les profilés en C (2).
4. Fixez les crochets filetés (7) au support du cric (8) à l'aide d'écrous (9) comme indiqué à la figure 3. Ne serrez pas les écrous pour faciliter la fixation des ressorts.
5. Glissez le support du cric (8) vers le bas entre les profilés (2) jusqu'à ce qu'il soit sur le cadre du banc (6).
6. Fixez la traverse supérieure (10) aux profilés en C debout (2) avec des boulons, des rondelles plates, des rondelles de blocage et des écrous (11).
7. Fixez une extrémité des ressorts (15) aux tiges de la traverse supérieure (10) et l'autre extrémité aux crochets filetés (7) du support du cric.
8. Placez le cric-bouteille (16) avec précaution entre la plaque supérieure de la traverse supérieure (10) et le support du cric (8). Serrez les écrous (9) qui retiennent les crochets filetés (7) pour empêcher que le cric tombe de manière accidentelle.
9. **Serrez tous les assemblages d'écrous et de boulons.**
10. Soulevez avec précaution le cadre du banc (6) et fixez-le avec les goupilles (9).
11. Placez les plaques de serrage (17) sur le cadre du banc (6).
12. La presse peut maintenant être utilisée. N'oubliez pas d'installer la poignée (18) dans la douille de la poignée du cric-bouteille.

**AVIS** : Avant de **désassembler**, glissez le cadre de banc avec précaution à la position la plus basse.

Pièces de la trousse de quincaillerie			
			Qté
3	Boulon	M10 x 25 mm	8
	Rondelle plate	M10	8
	Rondelle de blocage	M10	8
	Écrou	M10	8
9	Écrou	M8	4
11	Boulon	M16 x 120 mm	4
	Rondelle plate	M16	8
	Rondelle de blocage	M16	4
	Écrou	M16	4

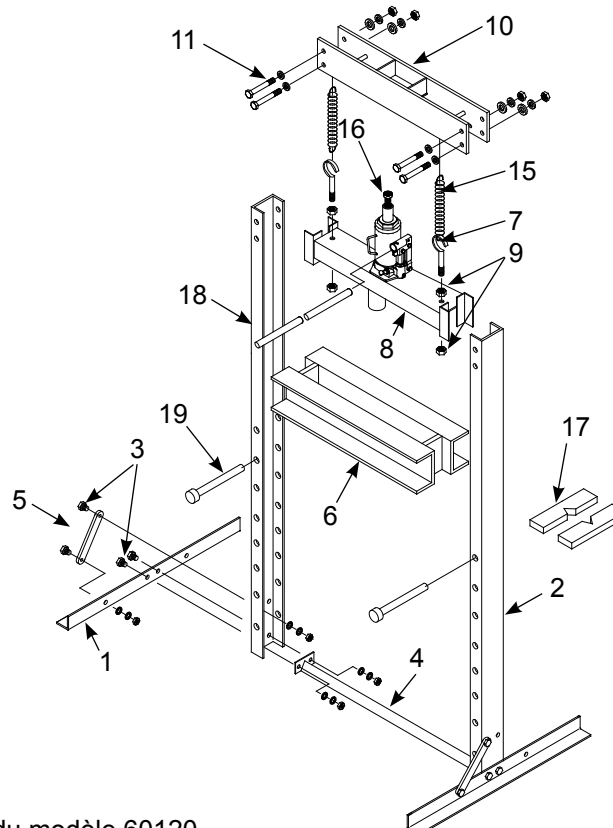


Figure 3 - Illustration d'assemblage du modèle 60120

## Assemblage

**Modèle 60200** : (voir figure 4).

**Remarque** : Ne serrez pas les boulons avant qu'on ne vous le demande.

- Fixez les pattes de la base (1) aux profilés en C debout (2) avec des boulons, des rondelles de blocage et des écrous (3). Serrez-les seulement à la main.
- Fixez la traverse inférieure (4) aux profilés en C debout (2) avec des boulons, des rondelles de blocage et des écrous (3).
- Fixez les tiges de support (5) aux pattes de la base (1) et aux profilés en C (2) avec des boulons, des rondelles de blocage et des écrous (3).
- Glissez le cadre du banc (6) le plus possible vers le bas entre les profilés en C (2).
- Fixez les crochets filetés (7) au support du cric (8) avec des écrous (9). Ne serrez pas les écrous afin de faciliter la fixation des ressorts plus tard.
- Glissez le support du cric (8) vers le bas entre les profilés (2) jusqu'à ce qu'il soit sur le cadre du banc (6).
- Fixez les traverses supérieures (10) aux profilés en C debout (2) avec des boulons, des rondelles plates, des rondelles de blocage et des écrous (11).
- Fixez la plaque supérieure (12) aux traverses supérieures (10) à l'aide de boulons, de rondelles de blocage et de rondelles à section carrée (13).
- Faites passer deux boulons dans les deux traverses supérieures (10) et fixez-les en utilisant deux rondelles de blocage et deux écrous (14). Fixez ensuite une extrémité des ressorts (15) aux boulons (14) et l'autre extrémité aux crochets filetés (7) du support du cric.
- Placez le cric-bouteille (16) entre la plaque supérieure (12) et le support du cric (8) avec précaution. Serrez les écrous (9) qui retiennent les crochets filetés (7) pour empêcher que le cric tombe de manière accidentelle.
- Serrez tous les assemblages d'écrous et de boulons.**
- Soulevez avec précaution le cadre du banc (6) et fixez-le avec les goupilles (19).
- Placez les plaques de serrage (17) sur le cadre du banc (6).
- La presse peut maintenant être utilisée. N'oubliez pas d'installer la poignée (18) dans la douille de la poignée du cric-bouteille.

**AVIS** : Avant de **désassembler**, glissez le cadre de banc avec précaution à la position la plus basse.

Pièces de la trousse de quincaillerie			Qté
3	Boulon	M10 x 25 mm	12
	Rondelle de blocage	M10	12
	Écrou	M10	12
9	Écrou	M8	2
11	Boulon	M16 x 150 mm	4
	Rondelle plate	M16	8
	Rondelle de blocage	M16	4
	Écrou	M16	4
13	Boulon	M10 x 25 mm	4
	Rondelle de blocage	M10	4
	Rondelle à section carrée	M10	4
14	Boulon	M10 x 130 mm	2
	Rondelle de blocage	M10	2
	Écrou	M10	2

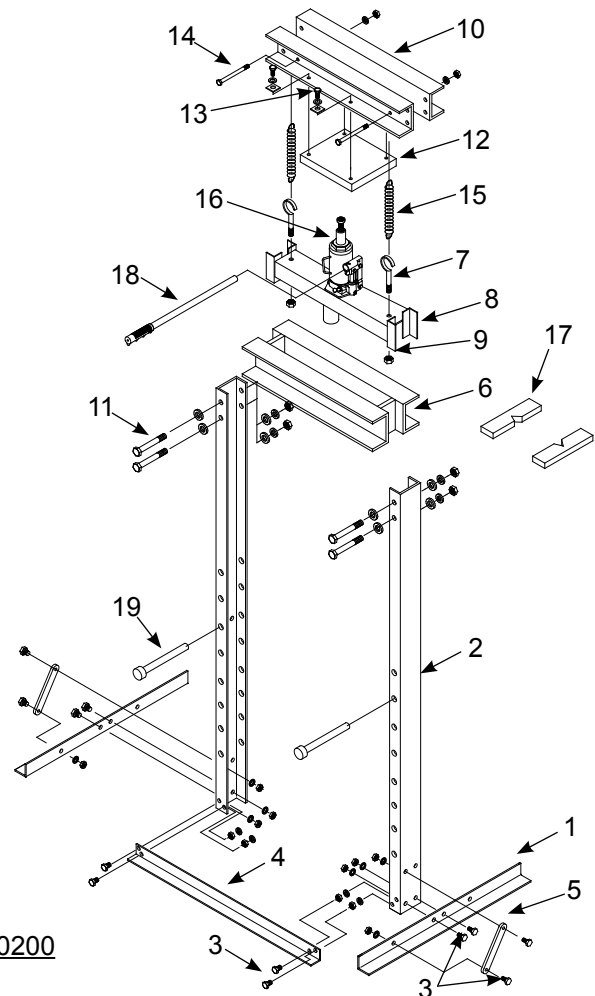


Figure 4 - Illustration d'assemblage du modèle 60200

## Assemblage

**Modèles 60123 et 60253 :** (voir figure 5).

**Remarque :** Ne serrez pas les boulons avant qu'on ne vous le demande.

- Fixez les pattes de la base (1) aux profilés en C debout (2) avec des boulons, des rondelles de blocage et des écrous (3). Serrez-les seulement à la main.
- Fixez la traverse inférieure (4) aux profilés en C debout (2) avec des boulons, des rondelles de blocage et des écrous (3).
- Fixez les tiges de support (5) aux pattes de la base (1) et aux profilés en C (2) avec des boulons, des rondelles de blocage et des écrous (3).
- Glissez le cadre du banc (6) le plus possible vers le bas entre les profilés en C (2).
- Glissez la plaque supérieure (7) sur les traverses supérieures (8). Ensuite, fixez-la à l'aide de boulons (9).
- Fixez l'assemblage des traverses supérieures (8) aux profilés en C debout (2) avec des boulons, des rondelles plates, des rondelles de blocage et des écrous (10).
- Vissez le piston (11) sur la plaque supérieure (7) assemblée avec les traverses supérieures (8).
- Fixez le support de la pompe (12) aux profilés en C debout (2) avec trois boulons, les rondelles de blocage et les écrous (3).
- Serrez tous les assemblages d'écrous et de boulons.**
- Placez la pompe à main (13) sur son support (12).
- Pour retenir la pompe, installez les ferrures fixes (14) en utilisant des boulons, des rondelles de blocage et des écrous (3).
- Branchez l'extrémité du tuyau hydraulique avec un raccord mâle (15) au raccord femelle du piston (11) pour faire le dernier branchement.
- Soulevez avec précaution le cadre du banc (6) et fixez-le avec les goupilles (16).
- Placez les plaques de serrage (17) sur le cadre du banc (6).
- Lorsque c'est nécessaire, remplacez le point d'appui du piston (11) par le chasse-palier (18).
- La presse peut maintenant être utilisée.

**AVIS :** Avant de **désassembler**, glissez le cadre de banc avec précaution à la position la plus basse.

Modèle 60123			
Pièces de la trousse de quincaillerie			Qté
3	Boulon	M10 x 25 mm	19
	Rondelle de blocage	M10	19
	Écrou	M10	19
9	Boulon	10x25	2
10	Boulon	M16 x 115 mm	4
	Rondelle plate	M16	8
	Rondelle de blocage	M16	4
	Écrou	M16	4

Modèle 60253			
Pièces de la trousse de quincaillerie			Qté
3	Boulon	M10 x 25 mm	19
	Rondelle de blocage	M10	19
	Écrou	M10	19
9	Boulon	10x25	2
10	Boulon	M16 x 150 mm	4
	Rondelle plate	M16	8
	Rondelle de blocage	M16	4
	Écrou	M16	4

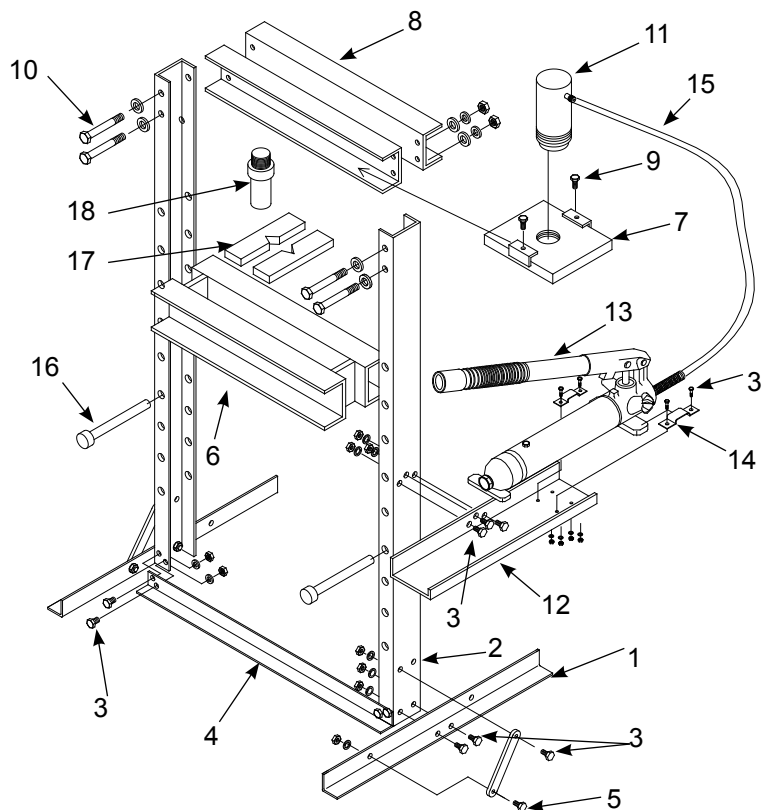


Figure 5 - Illustration d'assemblage des modèles 60123 et 60253

## Assemblage

**Modèle 65123** : (voir figure 6).

**Remarque** : Ne serrez pas les boulons avant qu'on ne vous le demande.

1. Fixez les pattes de la base (1) et la traverse inférieure (4) aux profilés en C debout (2) avec des boulons, des rondelles de blocage et des écrous (3). Serrez-les seulement à la main.
2. Fixez les tiges de support (5) aux pattes de la base (1) et aux profilés en C (2) avec des boulons, des rondelles de blocage et des écrous (3).
3. Glissez le cadre du banc (6) le plus possible vers le bas entre les profilés en C (2).
4. Glissez la plaque supérieure (7) sur les traverses supérieures (8). Ensuite, fixez-la à l'aide de boulons (9).
5. Fixez l'assemblage des traverses supérieures (8) aux profilés en C debout (2) avec des boulons, des rondelles plates, des rondelles de blocage et des écrous (10).
6. Vissez le piston (11) sur la plaque supérieure (7) assemblée avec les traverses supérieures (8).
7. **Serrez tous les assemblages d'écrous et de boulons.**
8. Branchez l'extrémité du tuyau hydraulique avec un raccord mâle (12) au raccord femelle du piston (11) pour faire le dernier branchement.
9. Soulevez le cadre du banc (6) et fixez-le avec les goupilles (13).
10. Placez les plaques de serrage (14) sur le cadre du banc (6).
11. Lorsque c'est nécessaire, remplacez le point d'appui du piston (11) par le chasse-palier (15).
12. La presse peut maintenant être utilisée.

**AVIS** : Avant de **désassembler**, glissez le cadre de banc avec précaution à la position la plus basse.

Modèle 65123			Qté
Pièces de la trousse de quincaillerie			
3	Boulon	M10 x 30 mm	8
	Rondelle de blocage	M10	8
	Écrou	M10	8
9	Boulon	10x30	2
10	Boulon	M16 x 120 mm	4
	Rondelle plate	M16	8
	Rondelle de blocage	M16	4
	Écrou	M16	4

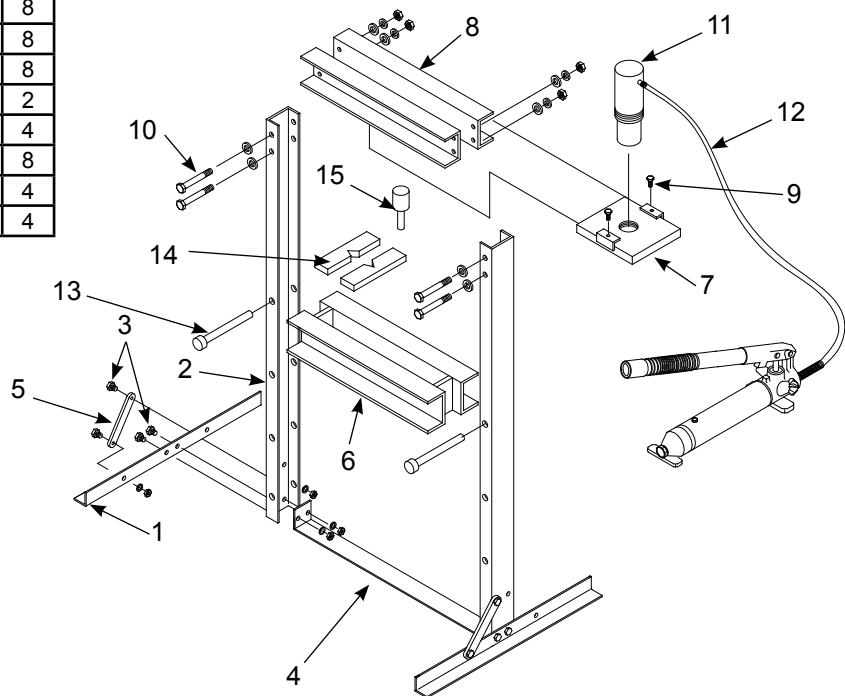


Figure 6 - Illustration d'assemblage du modèle 65123

## MISE EN GARDE

- **Étudiez, comprenez et suivez** toutes les consignes du fabricant se trouvant sur l'appareil ou dans les documents fournis avec celui-ci.
- Utilisez **toujours** un dynamomètre piézoélectrique avec indicateur numérique de capacité nominale et de calibrage adéquats pour surveiller la force de pressage.
- **Ne dépassez pas** la capacité nominale.
- Utilisez cet appareil uniquement sur des surfaces dures et de niveau.
- Portez toujours des lunettes de protection lorsque vous travaillez avec cet équipement ou à proximité de ce dernier.
- Gardez les mains, les pieds et toute autre partie du corps à l'écart de la zone de travail.
- Ne laissez jamais une presse avec chargement sans surveillance.
- Danger de projection. Assurez-vous que la pièce et que tout équipement sont placés au centre du chargement et qu'un **écran de sécurité a été installé** autour de la pièce afin d'aider à protéger contre les projectiles.
- Ne modifiez pas cet appareil à part l'installation d'un écran pour protéger contre les projectiles.
- Assurez-vous que l'utilisateur est familier avec les commandes et les caractéristiques d'opération de ce produit et qu'il connaît les dangers potentiels associés à son utilisation.
- **Le non-respect des consignes peut entraîner des blessures et des dommages matériels.**

### Modèles 60123, 60253 et 65123 SEULEMENT :

- Installez et surveillez **toujours** un manomètre calibré en ligne pendant l'utilisation.
- Inspectez toujours les tuyaux et les branchements pour voir s'il y a des dommages avant de l'utiliser.

## FONCTIONNEMENT



**Danger de projectile!** Portez de l'équipement de protection pour les yeux certifié à la norme ANSI. Ne vous tenez jamais directement en avant d'une presse appliquant une charge. Assurez-vous que la pression sera appliquée sur le centre de la pièce à travailler et que cette dernière est bien serrée. Réduisez les risques de projection de morceaux en suivant rigoureusement toutes les consignes d'utilisation. Comprenez le fonctionnement de votre presse et les dangers associés à son utilisation.



**Danger d'écrasement!** Gardez les mains et les pieds à distance de la zone du banc en tout temps.

1. Insérez les goupilles de support à la hauteur désirée, puis descendez le banc. Assurez-vous que le cadre du banc repose entièrement sur les goupilles de support.
2. Placez les plaques de serrage sur le cadre du banc au besoin.
3. Placez la pièce sur le cadre du banc en prenant toutes les précautions nécessaires pour assurer votre sécurité et prévenir les dommages matériels. Positionnez la pièce d'une façon qui va l'empêcher de sortir du banc de manière accidentelle.
4. a.) **Modèles 60120 et 60200** : À l'aide de l'extrémité du levier du cric avec encoche (ou estampe), fermez la soupape de surpression en tournant fermement dans le sens horaire.  
b.) **Modèles 60123, 60253 et 65123** : Fermez la soupape de surpression en la tournant fermement dans le sens horaire et appuyez sur la poignée pour allonger le vérin jusqu'à ce qu'il s'approche de la pièce.
5. Appuyez jusqu'à ce que le vérin se trouve à proximité de la pièce.
6. Alignez le vérin et la pièce pour vous assurer que la pression est appliquée au centre.
7. Appliquez la pression sur la pièce en appuyant sur le levier. **Évitez d'appliquer trop de pression sur la pièce.**  
**Modèles 60123, 60253 et 65123** : Surveillez le manomètre et calculez la charge appliquée à l'aide de la formule suivante comme guide de base : **Force = Pression X Surface**
  1. **Surface** utile des modèles 60123 et 65123 = 15,5 cm<sup>2</sup> (2,41 po<sup>2</sup>)
  2. **Surface** utile du modèle 60253 = 33,2 cm<sup>2</sup> (5,14 po<sup>2</sup>)

**Problème 1** : Déterminez la charge appliquée en livre-force à une pièce pressée par le modèle 60123 dont le manomètre indique 62,1 MPa (9 000 lb/po<sup>2</sup>).  
**Solution 1** : 9 000 X 2,41 = **21 690 lb/pi<sup>2</sup>**

**Problème 2** : Déterminez la charge appliquée en livre-force à une pièce pressée par le modèle 60253 dont le manomètre indique 15,2 MPa (2 200 lb/po<sup>2</sup>).  
**Solution 2** : 2 200 X 5,14 = **11 308 lb/pi<sup>2</sup>**
8. Stabilisez la pièce d'une façon qui va l'empêcher de sortir du banc de manière accidentelle une fois qu'il n'y a plus de pression appliquée sur celle-ci, puis tournez la soupape de surpression dans le sens antihoraire pour retirer le vérin et libérer la pièce. Évitez de tourner la soupape de surpression plus d'un tour complet dans le sens antihoraire.

**Remarque** : Pour protéger le vérin, cessez d'appuyer sur le levier lorsque le vérin est entièrement sorti ou rentré.



Pour diminuer les risques de blessures et de dommages matériels, assurez-vous que la pression nominale de chaque composant sous pression est **égale ou supérieure** à la pression nominale produite par la pompe hydraulique.

## FONCTIONNEMENT (suite)

9. Stabilisez la pièce d'une façon qui va l'empêcher de sortir du banc de manière accidentelle une fois qu'il n'y a plus de pression appliquée sur celle-ci, puis tournez la soupape de surpression dans le sens antihoraire pour retirer le vérin et libérer la pièce. Évitez de tourner la soupape de surpression plus d'un tour complet dans le sens antihoraire.



**Modèles 60120 et 60200 seulement :** Utilisez seulement le levier fourni par le fabricant. Le levier fourni avec ce produit permet d'enclencher la soupape de surpression du cric-bouteille de manière sécuritaire et d'actionner la douille du levier. Si le levier est usé, fonctionne de manière anormale ou si la soupape ne s'enclenche pas, **CESSEZ** d'utiliser le cric jusqu'à ce vous ayez un levier de remplacement du fabricant.



**Modèles 60120 et 60200 seulement :** Contrairement aux presses équipées d'une pompe installée séparément, le dispositif de génération de cette presse **ne peut pas** être muni d'un manomètre, ainsi le chargement **doit** être surveillé à l'aide d'un autre appareil, comme un dynamomètre piézoélectrique avec indicateur numérique. Peu importe l'appareil choisi, l'appareil de mesure de la charge doit être calibré chaque année.



Le dispositif de génération hydraulique fourni avec cet appareil est destiné à être utilisé comme une partie intégrante de cette presse et non en tant que cric autonome, non utilisé avec la presse. N'utilisez **jamais** le dispositif de génération hydraulique fourni avec cette presse à d'autres fins que celle pour laquelle il a été conçu.

## ENTRETIEN

Avant chaque utilisation, inspectez la presse pour voir s'il y a des dommages. Ne l'utilisez pas s'il y a des pièces déformées, brisées, fissurées, qui fuient ou sont endommagées d'une autre façon. Lubrifiez légèrement de manière périodique toutes les pièces mobiles, ce qui inclut le piston du levier et le vérin à piston plongeur.

### Modèles 60120 et 60200 :

#### Ajouter/changer l'huile du cric-bouteille

**Important :** Utilisez seulement de l'huile pour cric hydraulique de bonne qualité. Évitez de mélanger différents types de liquides et N'UTILISEZ JAMAIS de liquide pour frein, d'huile de turbine, de liquide de transmission, d'huile moteur ou de glycérine. L'utilisation d'un liquide inapproprié peut entraîner une défaillance prématurée du cric et causer une chute potentielle soudaine et immédiate de charge. Il est recommandé d'utiliser de l'huile pour cric hydraulique de première qualité ou un produit équivalent.

1. Retirez le cric du cadre de la presse.
2. Lorsque le vérin est à son niveau minimal et que le piston du levier est enfoncé au maximum, mettez le cric debout et à niveau. Enlevez le bouchon de remplissage d'huile.
3. Videz le liquide usé dans un contenant approprié.

**Remarque :** Jetez l'huile hydraulique en respectant la réglementation locale.

4. Ajoutez de l'huile jusqu'à ce que son niveau se trouve juste en dessous du trou de remplissage.
5. Suivez la procédure de la section « Purge de l'air emprisonné ».

### Modèles 60123, 60253 et 65123 seulement :

#### Ajouter/changer l'huile de la pompe à main

**Important :** Utilisez seulement de l'huile à appareil hydraulique de première qualité. Évitez de mélanger différents types de liquides et N'UTILISEZ JAMAIS de liquide pour frein, d'huile de turbine, de liquide de transmission, d'huile moteur ou de glycérine. L'utilisation d'un liquide inapproprié peut entraîner une défaillance prématurée du vérin et de la pompe et causer une chute potentielle soudaine et immédiate de la charge. Il est recommandé d'utiliser de l'huile pour cric hydraulique de première qualité ou un produit équivalent.

Afin d'optimiser la performance, changez le liquide au moins une fois par année.

1. Dépressurisez le tuyau hydraulique et débranchez-le de l'appareil auquel il est relié.
2. Retirez la vis du réservoir d'huile située sur le dessus du réservoir.
3. Versez le liquide dans un contenant pouvant être scellé.

**Remarque :** Jetez l'huile hydraulique en respectant la réglementation locale.

4. Une fois que la pompe est debout, dans sa position horizontale, utilisez un petit entonnoir pour remplir le réservoir jusqu'à 6 mm (1/4 po) du rebord.
5. Nettoyez tout liquide renversé et remettez le bouchon du réservoir d'huile.
6. Suivez la procédure de la section « Purge de l'air emprisonné ».

#### Procédure de la section « Purge de l'air emprisonné » :

1. Placez la pompe à une position plus élevée que le tuyau et le vérin comme illustré à la figure 7.
2. Utilisez la pompe de façon à faire descendre et monter le piston au maximum de deux à trois fois. L'objectif est d'envoyer les bulles d'air vers le haut et ensuite dans le réservoir de la pompe.
3. Pour purger l'air du réservoir de la pompe, ouvrez tout simplement la vis de remplissage d'huile du réservoir. Remettez la vis après la purge.

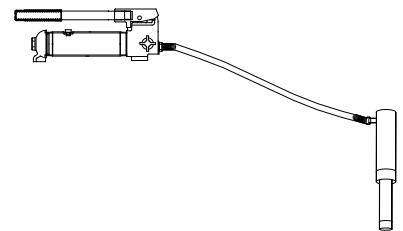


Figure 7 : Illustration pour purger l'air du système

### Prévenir la rouille

Inspectez le piston du levier et le vérin à piston plongeur régulièrement pour voir s'il y a de la rouille. Nettoyez selon les besoins avec un linge huileux non pelucheux.

### Modèles 60123, 60253 et 65123 seulement :

#### Comment enlever un raccord défectueux :

Si le vérin ne rentre pas : Dépressurisez la pompe et le tuyau, puis enlevez le vérin. Débranchez le raccord et remplacez-le par un nouveau raccord.

**Important :** N'essayez pas de saisir le vérin avec des pinces ou une clé avant d'avoir d'abord enveloppé le bec de ces outils avec des chiffons ou un objet similaire.

## DÉPANNAGE

Problème	Causes possibles	Mesure corrective
Piston n'appliquant pas de pression	<ul style="list-style-type: none"><li>• Soupape de surpression qui n'est pas bien fermée</li><li>• Surcharge</li></ul> <b>Modèles 60123, 60253 et 65123 :</b> <ul style="list-style-type: none"><li>• Raccords défectueux</li><li>• Niveau d'huile de la pompe trop bas</li><li>• Soupape de surpression qui n'est pas entièrement fermée</li></ul>	<ul style="list-style-type: none"><li>• Assurez-vous que la soupape est bien fermée.</li><li>• Remédiez au problème de surcharge.</li> <li>• Remplacez/serrez les raccords.</li><li>• Remettez de l'huile et purgez le système.</li><li>• Serrez la soupape de surpression.</li></ul>
Piston qui fuit après avoir fait une opération avec la presse	<ul style="list-style-type: none"><li>• Soupape de surpression qui n'est pas bien fermée</li><li>• Piston défectueux</li></ul>	<ul style="list-style-type: none"><li>• Assurez-vous que la soupape est bien fermée.</li><li>• Communiquez avec le soutien technique d'Omega.</li></ul>
Piston qui ne rentre pas lorsqu'on n'applique plus de pression	<ul style="list-style-type: none"><li>• Trop de liquide hydraulique dans le réservoir</li><li>• Blocage des articulations</li></ul> <b>Modèles 60123, 60253 et 65123 :</b> <ul style="list-style-type: none"><li>• Raccords lâches</li></ul>	<ul style="list-style-type: none"><li>• Purgez le liquide pour le ramener au bon niveau.</li><li>• Nettoyez les pièces mobiles et lubrifiez-les.</li> <li>• Vérifiez les raccords.</li></ul>
Performance de la presse médiocre	<ul style="list-style-type: none"><li>• Niveau de liquide bas</li><li>• Air emprisonné dans le réservoir</li></ul>	<ul style="list-style-type: none"><li>• Assurez-vous que le niveau de liquide est adéquat.</li><li>• Suivez les instructions de la section « Purge de l'air emprisonné » à la page 17 ou la page 22 pour les <b>modèles 60123, 60253 et 65123.</b></li></ul>
Le vérin ne se prolonge pas au maximum	<ul style="list-style-type: none"><li>• Niveau de liquide bas</li></ul>	<ul style="list-style-type: none"><li>• Assurez-vous que le niveau de liquide est adéquat.</li></ul>
Fuite d'huile dans le piston	<ul style="list-style-type: none"><li>• Vérin défectueux</li></ul>	<ul style="list-style-type: none"><li>• Communiquez avec le soutien technique d'Omega.</li></ul>

## PIÈCES DE RECHANGE

Ce ne sont pas toutes les pièces de la presse qui peuvent être remplacées, mais elles sont illustrées pour montrer leur emplacement ainsi que leur position pour l'assemblage. Lorsque vous commandez des pièces, veuillez fournir le numéro du modèle du cric et la description de la pièce. Pour connaître les prix actuels, appelez-nous ou écrivez-nous : SFA Companies 10939 N. Pomona Ave. Kansas City, MO 64153, É.-U., Courriel : sales@omegalift.com, téléphone : 1 888 332-6419, télécopieur : 1 816 891-6599, site Web : <http://www.omegalift.com>

Pièce	N° de pièce du modèle :		Description	Qté
	60120	60200		
1	T060-05000-000	T126-00002-000	Traverse supérieure	1 (2 pièces pour 60200)
2	T060-00001-100		Ressort	2
3	T060-00002-100		Crochet fileté	2
4	B120-10000-000	B200-10000-000	Cric-bouteille	1
5	T060-04000-000	T126-02000-000	Support du cric	1
6	B080-20000-000	T126-03000-000	Poignée du cric	1
7	T060-00003-100	T126-00001-000	Profilé en C debout	2
8	T060-02000-000	T125-01000-000	Goupille de support	2
9	T184-00004-000		Tige de support	2
10	T060-00006-000	T184-00005-000	Patte de la base	2
11	T060-03000-000	T125-02000-000	Cadre du banc	1
12	T060-01000-100	T184-00006-000	Traverse inférieure	1
13	T184-90009-K01	T125-90009-K01	Ensemble de plaques de serrage	1
14	-	T126-01000-000	Plaque de la tête	1
-	T060-06000-000	T126-04000-000	Trousse de quincaillerie	-

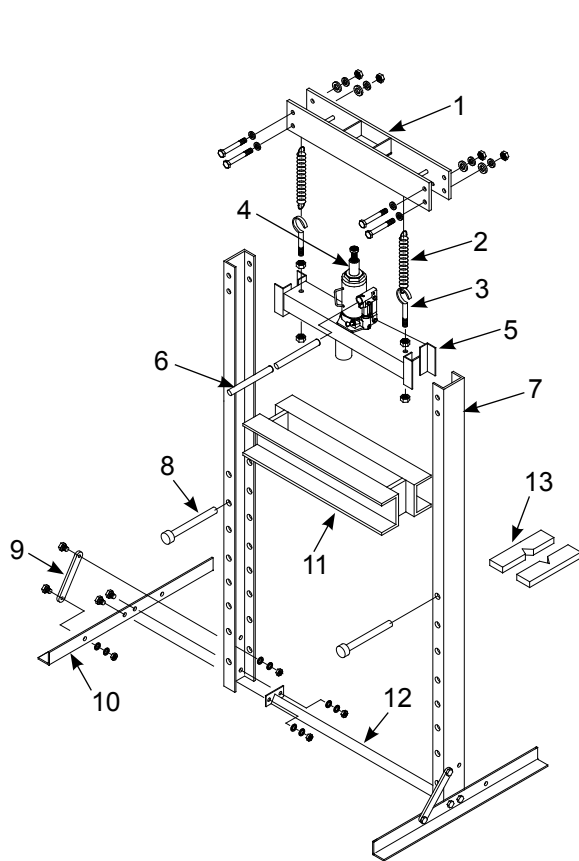


Figure 8 : Illustration des pièces de rechange du modèle 60120

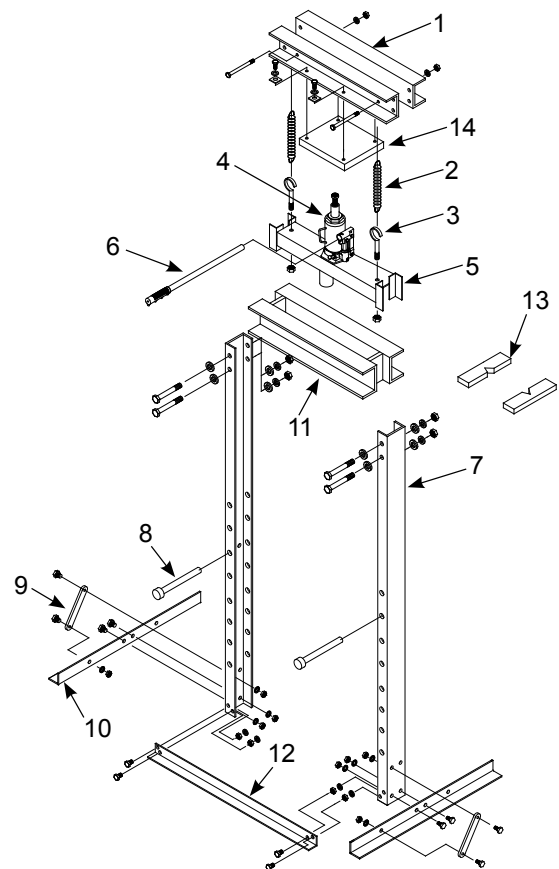


Figure 9 : Illustration des pièces de rechange du modèle 60200



## PIÈCES DE RECHANGE

Ce ne sont pas toutes les pièces de la presse qui peuvent être remplacées, mais elles sont illustrées pour montrer leur emplacement ainsi que leur position pour l'assemblage. Lorsque vous commandez des pièces, veuillez fournir le numéro du modèle du cric et la description de la pièce. Pour connaître les prix actuels, appelez-nous ou écrivez-nous : SFA Companies 10939 N. Pomona Ave. Kansas City, MO 64153, É.-U., Courriel : sales@omegalift.com, téléphone : 1 888 332-6419, télécopieur : 1 816 891-6599, site Web : <http://www.omegalift.com>

Pièce	N° de pièce du modèle :			Description	Qté
	60253	60123	65123		
1	T125-00001-000	T184-00001-000	T213-00001-000	Traverse supérieure (1 pièce pour 65123)	2
2	T125-00003-000	T184-00008-000		Chasse-palier	1
3	T125-90009-K01	T184-90009-K01		Plaques de serrage (paire)	1
4	T125-02000-000	T184-02000-000	T213-01000-000	Cadre du banc	1
5	T125-01000-000	T184-01000-000		Goupille de support	2
6	T125-00002-000	T184-00002-000	T213-00002-000	Profilé en C debout	2
7	T184-00006-000		T213-00003-000	Traverse inférieure	1
8	T184-00004-000			Tige de support	2
9	T184-00005-000		T213-00004-000	Patte de la base	2
10	T184-00003-000			Support de pompe	1
11	F100-90119-K02			Pompe à main	1
12	T125-00008-000			Ferrure fixe	2
13	F040-90107-K02			Vis de remplissage d'huile	1
14	T125-03000-000	T184-03000-000		Plaque de la tête	1
15	F250-30000-000	F100-30000-000		Vérin	1
16	F040-90009-K04			Raccord femelle 1/4 NPT	1
	F040-90009-K05			Raccord mâle 1/4 NPT	1
17	F100-90009-K01			Levier	1
-	T125-04000-000	T184-04000-000	T213-02000-000	Trousse de quincaillerie	-
*	55101			Pompe à air (facultative)	-

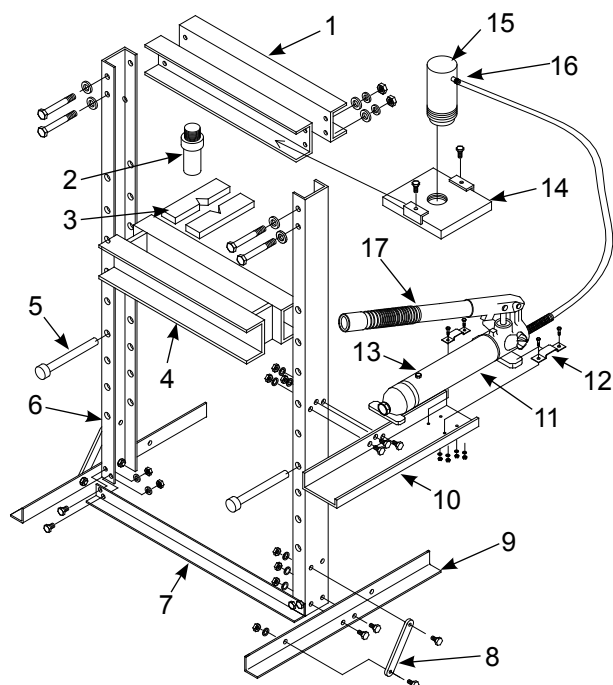


Figure 10 - Illustration des pièces des modèles 60123 et 60253

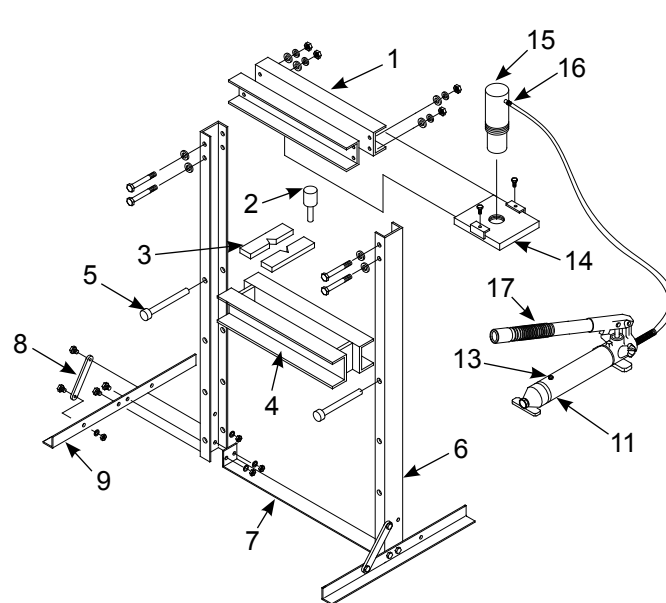


Figure 11 - Illustration des pièces du modèle 65123

## GARANTIE LIMITÉE DE 1 AN

Pendant une période d'un (1) an, à partir de la date d'achat, SFA Companies réparera ou remplacera, à sa discrétion, sans frais, tous ses produits qui, utilisés dans des conditions normales, sont défectueux à cause d'un défaut de matériel ou de fabrication. Cette garantie limitée est le seul recours du consommateur.

Pour bénéficier du service offert par la garantie, il faut retourner le produit couvert par celle-ci, port payé, à SFA Companies, Warranty Service Department, 10939 N. Pomona Ave., Kansas City, MO 64153, États-Unis.

Sauf dans les cas où les limitations et les exclusions décrites dans ce paragraphe sont spécifiquement interdites par la loi : (1) LE SEUL RECOURS DU CONSOMMATEUR EST DE FAIRE RÉPARER OU REMPLACER LES PRODUITS DÉFECTUEUX COMME DÉCRIT CI-DESSUS; (2) SFA COMPANIES NE SERA PAS TENUE RESPONSABLE DES DOMMAGES CONSÉCUTIFS OU INDIRECTS OU DE PERTES QUELCONQUES; (3) TOUTE GARANTIE IMPLICITE, CE QUI INCLUT SANS LIMITATION LES GARANTIES IMPLICITES DE COMMERCIALITÉ ET D'ADAPTATION À UN USAGE PARTICULIER, SERA LIMITÉE À UN AN, À DÉFAUT DE QUOI LA RÉPARATION, LE REMPLACEMENT OU LE REMBOURSEMENT, SELON CETTE GARANTIE EXPRESSE LIMITÉE, CONSTITUE LE SEUL RECOURS DU CLIENT, ET REMPLACE TOUTE AUTRE GARANTIE, IMPLICITE OU EXPRESSE; (4) TOUTE MODIFICATION, ALTÉRATION, UTILISATION ABUSIVE OU NON AUTORISÉE OU DÉCORATION ORNEMENTALE ANNULE CETTE GARANTIE ET N'EST PAS COUVERTE PAR CELLE-CI.

Certaines provinces et certains États ne permettent pas de limiter la durée d'une garantie implicite et il est donc possible que la limitation décrite ci-dessus ne s'applique pas. Certaines provinces et certains États ne permettent pas d'exclure ou de limiter les dommages consécutifs ou indirects et il est donc possible que la limitation ou l'exclusion mentionnée ci-dessus ne s'applique pas. Cette garantie vous confère des droits particuliers et il est aussi possible que vous puissiez jouir d'autres droits qui varient d'une province à l'autre et d'un État à l'autre.



SFA Companies  
10939 N. Pomona Ave., Kansas City, MO 64153, É.-U.  
1 888 332-6419  
sales@omegalift.com

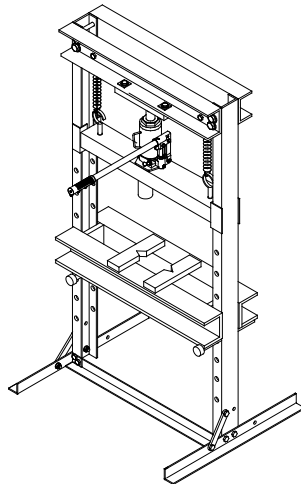
# Manual de instrucciones de funcionamiento



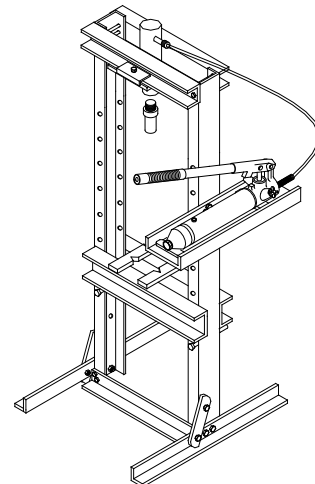
## Prensa hidráulica

**Modelo**  
**60120, 60123 & 65123**  
**60200**  
**60253**

**Capacidad**  
**12 toneladas (24 000 libras)**  
**20 toneladas (40 000 libras)**  
**25 toneladas (50 000 libras)**



*(se muestra 60200)*



*(se muestra 60253)*



Este es el símbolo de alerta de seguridad. Se usa para alertar sobre peligros potenciales de lesiones personales.

Obedezca todos los mensajes de seguridad que tengan este símbolo, para evitar posibles lesiones personales o la muerte.

**SFA Companies**  
<http://www.omegalift.com>

**Lea este manual y respete todas las reglas de seguridad y las instrucciones de funcionamiento  
antes de usar este producto.**

Impreso en China  
60120-M1\_012013

## INFORMACIÓN GENERAL y DE SEGURIDAD

**Conserve estas instrucciones.** Para su seguridad, lea, comprenda y siga la información que viene con este producto antes de su uso. El propietario u operador de este equipo debe tener conocimientos sobre este producto y los procedimientos de funcionamiento seguro antes de intentar utilizarlo. El propietario y operador deben tener presente que el uso y la reparación de este producto podrían requerir habilidades y conocimientos especiales. Las instrucciones y la información de seguridad deben expresarse en la lengua materna del operador antes de recibir autorización para el uso de este gato. Si tiene dudas sobre el uso seguro y adecuado de este gato, proceda a sacarlo de servicio de inmediato.

**Inspeccione el dispositivo antes de cada uso.** No lo use si detecta que está roto, doblado, agrietado o tiene piezas dañadas. Debe sacar de servicio en forma inmediata toda prensa que presente daños, de la naturaleza que fueren, o funcione mal. Si cualquier componente de este producto fue sometido a una carga de impacto (una carga arrojada repentina e inesperadamente sobre este), interrumpa su uso de inmediato hasta su revisión por parte de un centro de servicio de fábrica autorizado (comuníquese con el fabricante o el distribuidor para obtener una lista de los centros de servicio de fábrica autorizados). Se recomienda realizar una inspección anual a cargo de personal calificado. Las etiquetas y los manuales del operador están disponibles por parte del fabricante.

## DESCRIPCIÓN DEL PRODUCTO

Esta prensa hidráulica está diseñada para su uso en talleres de reparación de automotores, camiones, vehículos utilitarios, flotas y vehículos industriales, donde se empleen técnicas de prensado, combado, rectificado y moldeado. Las aplicaciones típicas incluyen la instalación y la remoción de los rodamientos de la bomba de dirección asistida y del alternador, los rodamientos del eje, los rodamientos de la transmisión, los sellos y las uniones en "U", entre otros. No están diseñadas para utilizarse como mesa de ensamblaje o soporte de accesorios de fijación de componentes grandes de ensamblaje final. **A diferencia** de las prensas equipadas con una bomba montada por separado, la unidad eléctrica de esta prensa **no** se puede equipar con un medidor de presión, con lo cual la supervisión de la carga debe realizarse por otros medios, como una celda de carga con indicador digital. Independientemente del medio escogido, los medios de medición de carga deben calibrarse anualmente.



**Para los modelos 60123, 60253 y 65123:** Para reducir el riesgo de lesiones personales o daños a la propiedad, asegúrese de que la presión de trabajo nominal de cada accesorio presurizado sea igual o mayor que la presión de trabajo nominal desarrollada por la bomba hidráulica.

## ESPECIFICACIONES

Modelo	Capacidad	Dimensiones (Ancho x Prof. x Alto)	Espacio de trabajo mín.	Espacio de trabajo máx.	Posición de la caja	Recorrido hidráulico
60120	12 toneladas (24 000 libras)	22-3/4 x 18-1/2 x 59" (57,79 x 46,99 x 149,86 cm)	2-5/8" (6,67 cm)	34-3/8" (87,31 cm)	8	6" (15,24 cm)
60200	20 toneladas (40 000 libras)	28 x 28 x 64-1/2" (71,12 x 71,12 x 163,83 cm)	2-1/2" (6,35 cm)	34-1/8" (87,31 cm)		

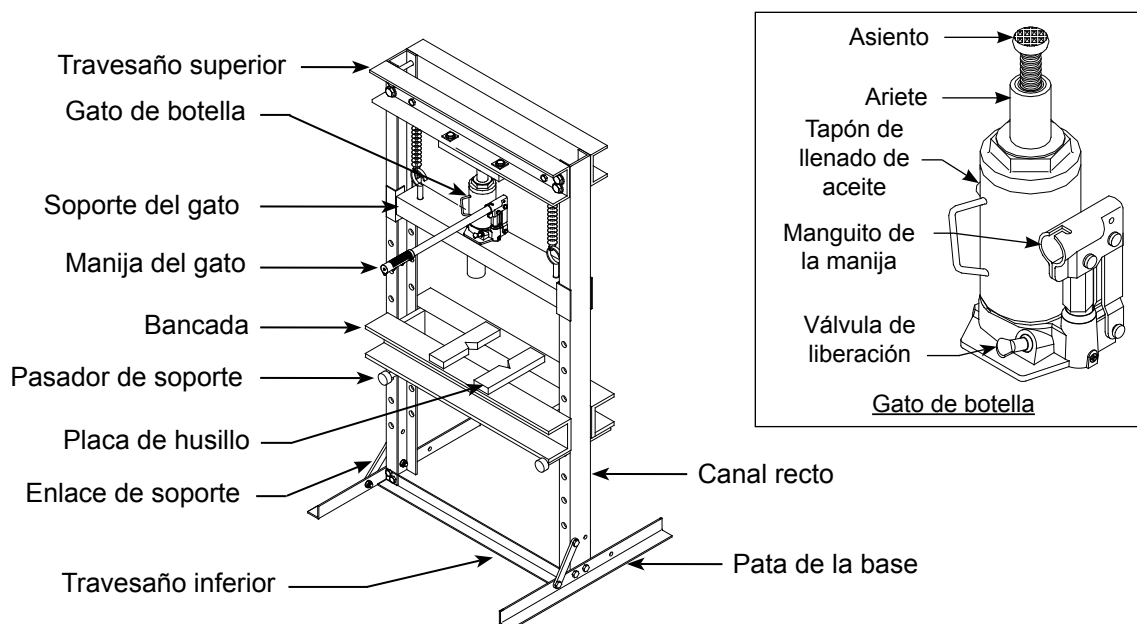


Figura 1: Componentes de la prensa hidráulica 60120 y 60200 (se muestra el modelo 60200)

## ESPECIFICACIONES (cont.)

Modelo	Capacidad	Dimensiones (Ancho x Prof. x Alto)	Espacio de trabajo mín.	Espacio de trabajo máx.	Posición de la caja	Recorrido hidráulico
60123	12 toneladas (24 000 libras)	28 x 28 x 59" (71,12 x 71,12 x 149,86 cm)	4-5/8" (11,75 cm)	36-3/8" (92,39 cm)	8	6" (15,24 cm)
60253	25 toneladas (50 000 libras)		2-1/2" (6,35 cm)	34-1/4" (87 cm)		
65123	12 toneladas (24 000 libras)	21-1/4 x 16-1/8 x 31-1/2" (53,98 x 40,96 x 80,01 cm)	4" (10,16 cm)	17-5/8" (44,77 cm)	4	

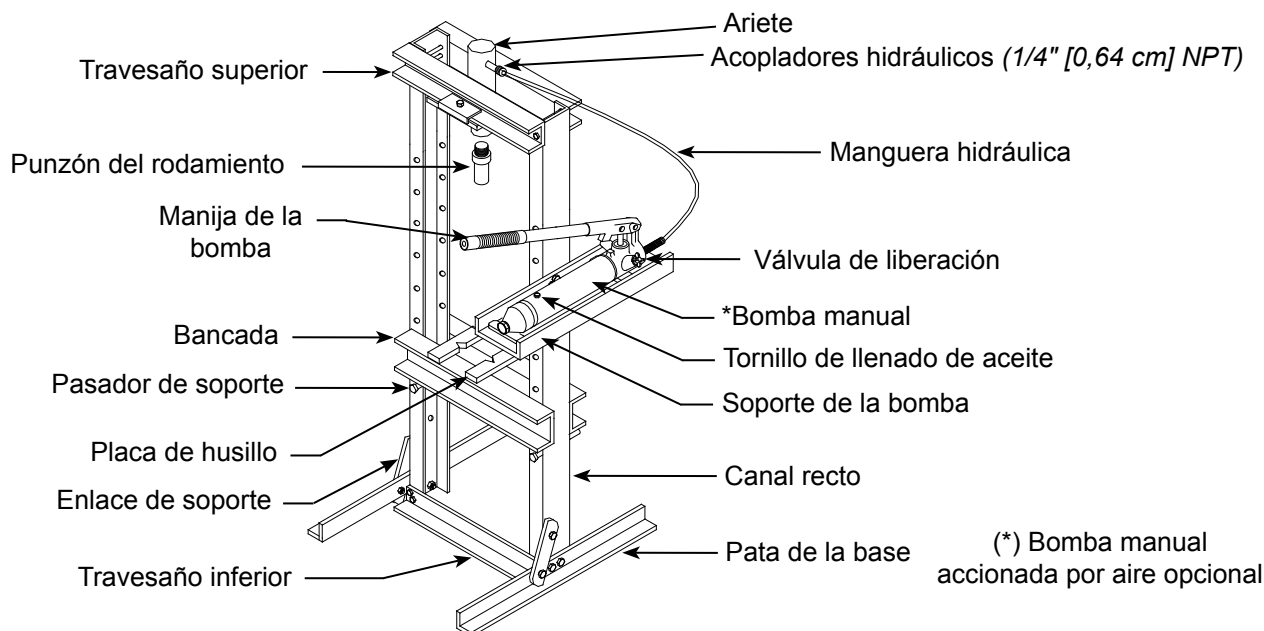


Figura 2: Componentes de la prensa hidráulica 60123, 60253 y 65123 (se muestra el modelo 60253)

## PREPARACIÓN

### Antes del uso

1. Verifique que el producto y la aplicación sean compatibles; si tiene dudas, llame al Servicio técnico de Omega al (888) 332-6419.
2. Antes de usar este producto, lea todo el manual del operador; procure familiarizarse en forma completa con el producto y sus componentes, y reconocer los peligros asociados a su uso.
3. **Para los modelos 60120 y 60200:** Para familiarizarse con el funcionamiento básico del gato de botella, use el extremo muescado (o estampado) de la manija provista para accionar y girar la válvula de liberación:
  - a. A la derecha hasta que sienta una resistencia firme para continuar girando. Esta es la posición '**CERRADO**' de la válvula de liberación que se usa para **extender** el ariete.
  - b. A la izquierda, pero no más de 1 giro completo con respecto a la posición de cerrado. Esta es la posición '**ABIERTO**' de la válvula de liberación que se utiliza para **retraer** el ariete.
- Para los modelos 60123, 60253 y 65123:** Para familiarizarse con el funcionamiento básico de la bomba manual, gire la válvula de liberación:
  - a. A la derecha hasta que sienta una resistencia firme para continuar girando. Esta es la posición '**CERRADO**' de la válvula de liberación que se usa para **extender** el ariete.
  - b. A la izquierda, pero no más de 1 giro completo con respecto a la posición de cerrado. Esta es la posición '**ABIERTO**' de la válvula de liberación que se utiliza para **retraer** el ariete.
4. **Para los modelos 60120 y 60200:** Una vez que el ariete se haya contraído por completo y la válvula de liberación esté cerrada, bombee la manija de funcionamiento. Si el ariete responde de inmediato, la prensa está lista para usarse. Si el ariete no responde, siga las instrucciones de descarga de aire/purgado.
 

**Para los modelos 60123, 60253 y 65123:** Con la válvula de liberación abierta, quite el tornillo de llenado de aceite. Asegúrese de que el nivel de aceite esté dentro de 1/4" (6 mm) de la abertura. Vuelva a colocar el tornillo de llenado de aceite.
5. **Para los modelos 60120 y 60200:** Compruebe que la bomba funcione sin dificultades y que el tornillo de extensión se enrosque fácilmente hacia arriba y hacia abajo antes de ponerlo en servicio. Reemplace las piezas y los conjuntos desgastados o dañados solo con piezas de repuesto autorizadas de Omega.

### Purgado/descarga del aire atrapado

Coloque la válvula de liberación en la posición ABIERTO (3b. en la página 29) y baje el ariete en forma completa; luego, retire el tapón de llenado de aceite. Coloque la manija en el manguito de la manija; luego bombee de 6 a 8 recorridos completos. Esto ayudará a liberar el aire presurizado que pudiera estar atrapado dentro del depósito. El aceite debe estar a nivel con la parte inferior del orificio de llenado de aceite. Vuelva a colocar el tapón de llenado de aceite.

### Ensamblaje

**Modelo 60120:** (Consulte la Figura 3).

**Nota:** No ajuste ninguno de los pernos hasta que se le indique.

1. Instale las patas de la base (1) y el travesaño inferior (4) en los canales rectos (2) con pernos, arandelas planas, arandelas de seguridad y tuercas (3). Apriete a mano únicamente.
2. Instale los enlaces de soporte (5) en la base (1) y los canales rectos (2) con pernos, arandelas planas, arandelas de seguridad y tuercas (3).
3. Deslice cuidadosamente la bancada (6) hacia abajo hasta la posición más baja posible entre los canales rectos (2).
4. Instale los tornillos gancho (7) en el soporte del gato (8) con tuercas (9) como se muestra en la Figura 3. Deje la tuerca floja para que sea fácil conectar el resorte.
5. Deslice el soporte del gato (8) hacia abajo entre los canales rectos (2) sobre la bancada (6).
6. Instale el travesaño superior (10) en los canales rectos (2) con pernos, arandelas planas, arandelas de seguridad y tuercas (11).
7. Conecte un extremo de los resortes (15) en los ejes del travesaño superior (10) y el otro extremo en los tornillos gancho (7) en el soporte del gato.
8. Coloque cuidadosamente el gato de botella (16) entre la placa superior del travesaño superior (10) y el soporte del gato (8). Apriete las tuercas (9) que sujetan los tornillos gancho (7) para evitar que el gato se caiga accidentalmente.
9. **Apriete todos los conjuntos de perno y tuerca que correspondan.**
10. Levante cuidadosamente la bancada (6) y fíjela con pasadores (9).
11. Coloque las placas de husillo (17) en la bancada (6).
12. La prensa está lista para usarse. No se olvide de introducir la manija (18) en el manguito de la manija del gato de botella.

**AVISO:** Antes del **desmontaje**, deslice cuidadosamente la caja hasta su posición más baja.

Tamaño de los kits de accesorios		Cant.	
3	perno	M10x25	8
	arandela plana	M10	8
	arandela de seguridad	M10	8
	tuerca	M10	8
9	tuerca	M8	4
	perno	M16x120	4
11	arandela plana	M16	8
	arandela de seguridad	M16	4
	tuerca	M16	4

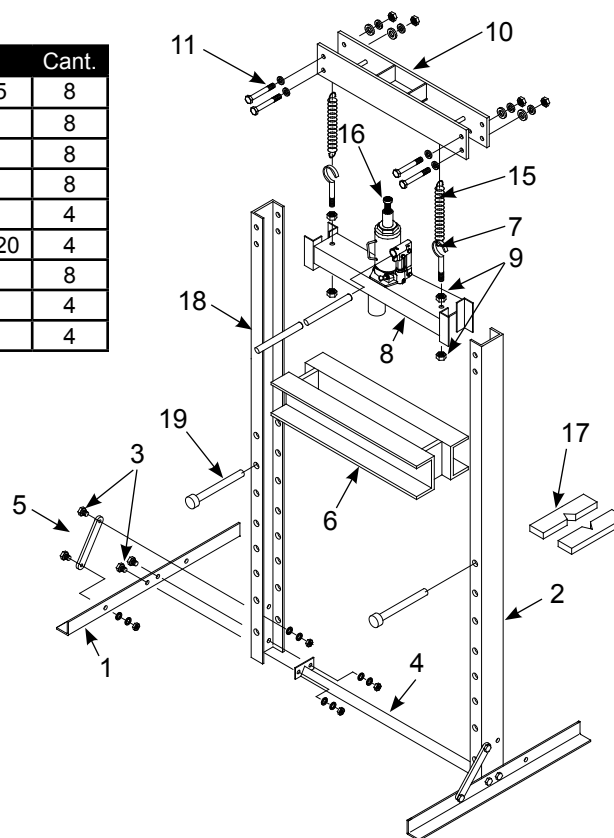


Figura 3: Ilustración de ensamblaje para el modelo 60120

## Ensamblaje

**Modelo 60200:** (Consulte la Figura 4).

**Nota:** No ajuste ninguno de los pernos hasta que se le indique.

1. Instale las patas de la base (1) en los canales rectos (2) con pernos, arandelas de seguridad y tuercas (3). Apriete a mano únicamente.
2. Instale el travesaño inferior (4) en los canales rectos (2) con pernos, arandelas de seguridad y tuercas (3).
3. Instale los enlaces de soporte (5) en la base (1) y los canales rectos (2) con pernos, arandelas de seguridad y tuercas (3).
4. Deslice cuidadosamente la bancada (6) hacia abajo hasta la posición más baja posible entre los canales rectos (2).
5. Instale los tornillos gancho (7) en el soporte del gato (8) con tuercas (9). Deje la tuerca floja para que se pueda realizar una conexión del resorte más fácil después.
6. Deslice el soporte del gato (8) hacia abajo entre los canales rectos (2) sobre la bancada (6).
7. Instale los travesaños superiores (10) en los canales rectos (2) con pernos, arandelas planas, arandelas de seguridad y tuercas (11).
8. Instale la placa superior (12) en los travesaños superiores (10) con pernos, arandelas de seguridad y arandelas cuadradas (13).
9. Instale dos pernos, arandelas de seguridad y tuercas (14) a través del travesaño superior (10). Luego, conecte un extremo de los resortes (15) en los pernos (14) y el otro extremo en los tornillos gancho (7) en el soporte del gato.
10. Coloque cuidadosamente el gato de botella (16) entre la placa superior (12) y el soporte del gato (8). Apriete las tuercas (9) que sujetan los tornillos gancho (7) para evitar que el gato se caiga accidentalmente.
11. **Apriete todos los conjuntos de perno y tuerca que correspondan.**
12. Levante cuidadosamente la bancada (6) y fíjela con pasadores (19).
13. Coloque las placas de husillo (17) en la bancada (6).
14. La prensa está lista para usarse. No se olvide de introducir la manija (18) en el manguito de la manija del gato de botella.

**AVISO:** Antes del **desmontaje**, deslice cuidadosamente la caja hasta su posición más baja.

Tamaño de los kits de accesorios			Cant.
3	perno	M10x25	12
	arandela de seguridad	M10	12
	tuerca	M10	12
9	tuerca	M8	2
11	perno	M16x150	4
	arandela plana	M16	8
	arandela de seguridad	M16	4
13	tuerca	M16	4
	perno	M10x25	4
	arandela de seguridad	M10	4
14	arandela cuadrada	M10	4
	perno	M10x130	2
	arandela de seguridad	M10	2
	tuerca	M10	2

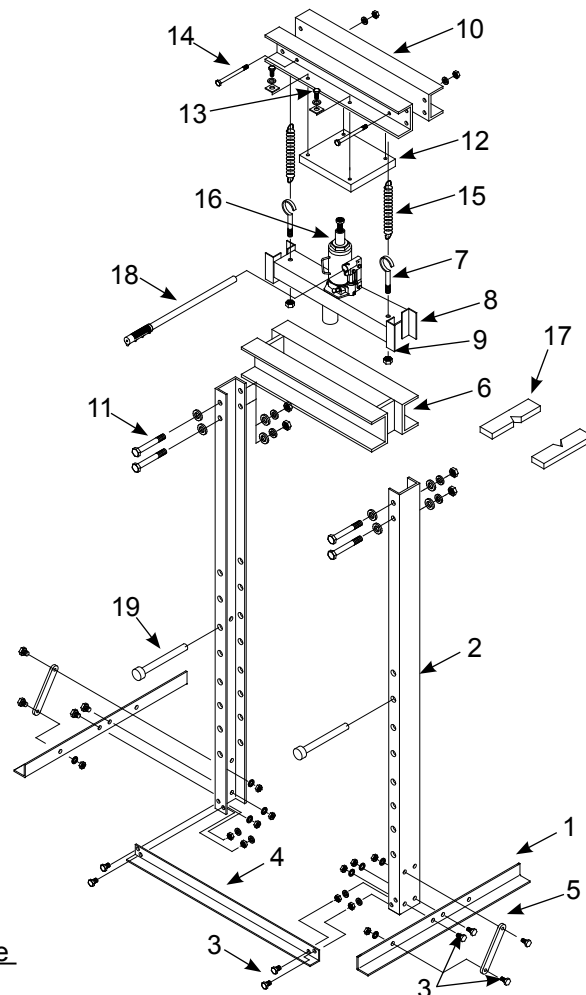


Figura 4: Ilustración de ensamblaje para el modelo 60200

## Ensamblaje

**Modelos 60123 y 60253:** (Consulte la Figura 5).

**Nota:** No ajuste ninguno de los pernos hasta que se le indique.

1. Instale las patas de la base (1) en los canales rectos (2) con pernos, arandelas de seguridad y tuercas (3). Apriete a mano únicamente.
2. Instale el travesaño inferior (4) en los canales rectos (2) con pernos, arandelas de seguridad y tuercas (3).
3. Instale los enlaces de soporte (5) en la base (1) y los canales rectos (2) con pernos, arandelas de seguridad y tuercas (3).
4. Deslice cuidadosamente la bancada (6) hacia abajo hasta la posición más baja posible entre los canales rectos (2).
5. Deslice la placa superior (7) hasta introducirla en los travesaños superiores (8). Luego, fíjela con pernos (9).
6. Instale el conjunto de travesaños superiores (8) en los canales rectos (2) con pernos, arandelas planas, arandelas de seguridad y tuercas (10).
7. Enrosque el ariete (11) en la placa superior (7) de los travesaños superiores (8).
8. Instale el soporte de la bomba (12) en el canal recto (2) con tres pernos, arandelas de seguridad y tuercas (3).
9. **Apriete todos los conjuntos de perno y tuerca que correspondan.**
10. Coloque la bomba manual (13) sobre el soporte de la bomba (12).
11. Para sostener la bomba, instale los soportes fijos (14) y fíjelos con pernos, arandelas de seguridad y tuercas (3).
12. Conecte el extremo del acoplador macho de la manguera hidráulica (15) en el acoplador hembra del ariete (11) para completar las conexiones.
13. Levante cuidadosamente la bancada (6) y fíjela con pasadores (16).
14. Coloque las placas de husillo (17) en la bancada (6).
15. Cuando sea necesario, reemplace el asiento del ariete (11) con el punzón del rodamiento (18).
16. La prensa está lista para usarse.

**AVISO:** Antes del **desmontaje**, deslice cuidadosamente la caja hasta su posición más baja.

Modelo 60123			
Tamaño de los kits de accesorios			Cant.
3	perno	M10x25	19
	arandela de seguridad	M10	19
	tuerca	M10	19
9	perno	10x25	2
10	perno	M16x115	4
	arandela plana	M16	8
	arandela de seguridad	M16	4
	tuerca	M16	4

Modelo 60253			
Tamaño de los kits de accesorios			Cant.
3	perno	M10x25	19
	arandela de seguridad	M10	19
	tuerca	M10	19
9	perno	10x25	2
10	perno	M16x150	4
	arandela plana	M16	8
	arandela de seguridad	M16	4
	tuerca	M16	4

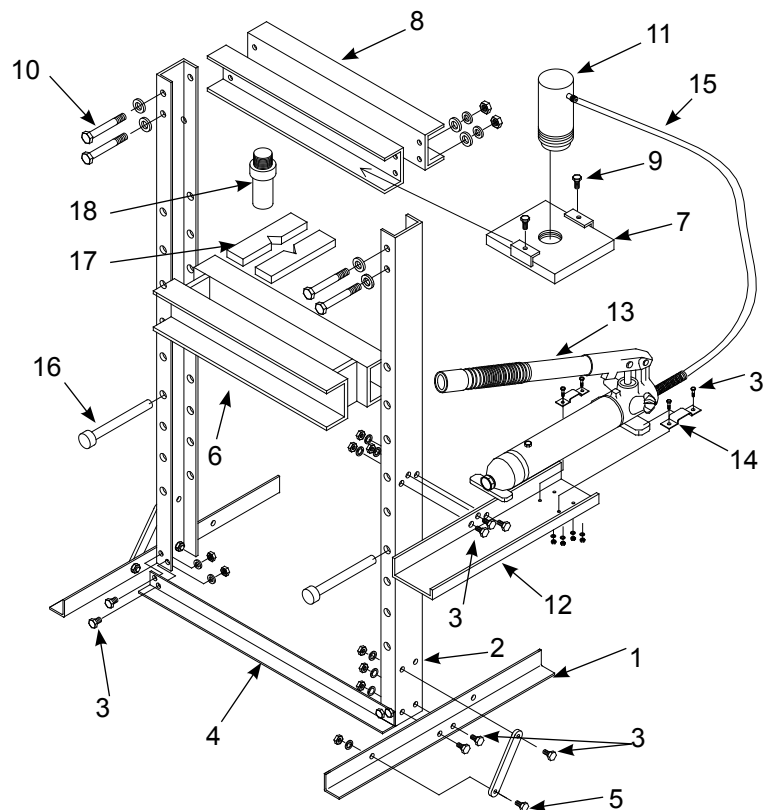


Figura 5: Ilustración de ensamblaje para los modelos 60123 y 60253



## Ensamblaje

**Modelo 65123:** (Consulte la Figura 6).

**Nota:** No ajuste ninguno de los pernos hasta que se le indique.

1. Instale las patas de la base (1) y el travesaño inferior (4) en los canales rectos (2) con pernos, arandelas de seguridad y tuercas (3). Apriete a mano únicamente.
2. Instale los enlaces de soporte (5) en la base (1) y los canales rectos (2) con pernos, arandelas de seguridad y tuercas (3).
3. Deslice cuidadosamente la bancada (6) hacia abajo hasta la posición más baja posible entre los canales rectos (2).
4. Deslice la placa superior (7) hasta introducirla en los travesaños superiores (8). Luego, fíjela con pernos (9).
5. Instale el conjunto de travesaños superiores (8) en los canales rectos (2) con pernos, arandelas planas, arandelas de seguridad y tuercas (10).
6. Enrosque el ariete (11) en la placa superior (7) de los travesaños superiores (8).
7. **Apriete todos los conjuntos de perno y tuerca que correspondan.**
8. Conecte el extremo del acoplador macho de la manguera hidráulica (12) en el acoplador hembra del ariete (11) para completar las conexiones.
9. Levante la bancada (6) y fíjela con pasadores (13).
10. Coloque las placas de husillo (14) en la bancada (6).
11. Cuando sea necesario, reemplace el asiento del ariete (11) con el punzón del rodamiento (15).
12. La prensa está lista para usarse.

**AVISO:** Antes del **desmontaje**, deslice cuidadosamente la caja hasta su posición más baja.

Modelo 65123			
Tamaño de los kits de accesorios			Cant.
3	perno	M10x30	8
	arandela de seguridad	M10	8
	tuerca	M10	8
9	perno	10x30	2
10	perno	M16x120	4
	arandela plana	M16	8
	arandela de seguridad	M16	4
	tuerca	M16	4

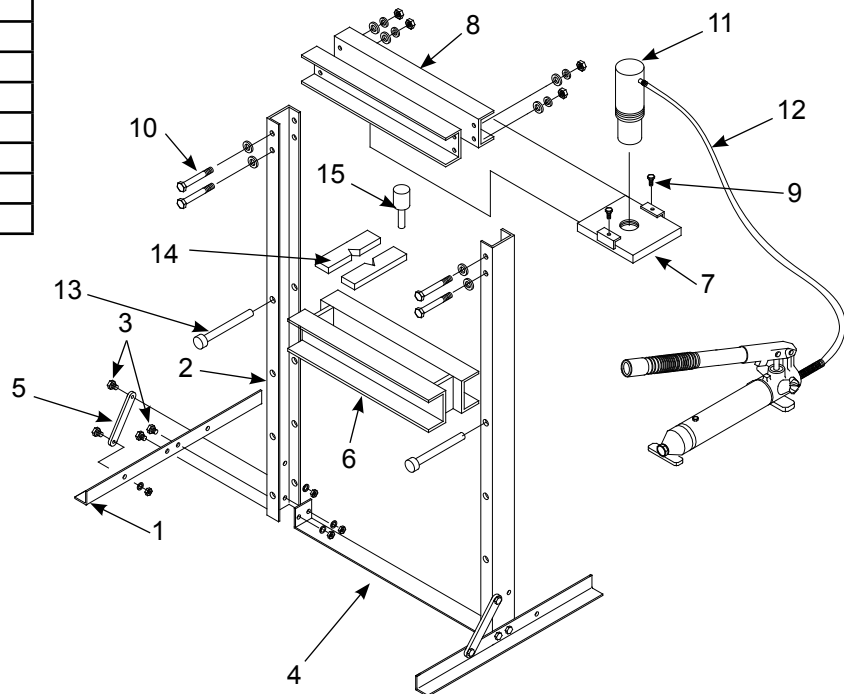


Figura 6: Ilustración de ensamblaje para el modelo 65123

## **ADVERTENCIA**

- **Estudie, comprenda y siga** todos los materiales impresos que vienen con este producto antes de su uso.
- **Siempre** use una celda de carga de capacidad nominal adecuada con indicador digital para supervisar la presión.
- **No exceda** la capacidad establecida.
- Utilice el dispositivo únicamente sobre superficies duras y uniformes.
- Siempre use gafas protectoras cuando trabaje en o cerca de este equipo.
- Mantenga las manos, los pies y las demás partes del cuerpo alejadas del área de carga.
- Nunca deje la prensa cargada sin supervisión.
- Peligro de proyectil. Asegúrese de que la pieza de trabajo y cualquier otro accesorio tengan la carga en el centro y de **instalar un escudo de protección** alrededor de la pieza de trabajo para evitar los impactos de proyectiles.
- No haga modificaciones en este dispositivo, salvo por la instalación de un escudo de protección contra proyectiles.
- Asegúrese de que el usuario esté familiarizado con los controles y las características operativas de este producto y al tanto de los posibles riesgos asociados con su uso.
- **Si no se respetan** estas indicaciones, **podrían producirse lesiones personales o daños a la propiedad.**

### **Para los modelos 60123, 60253 y 65123 ÚNICAMENTE:**

- **Siempre** instale y supervise el medidor de presión calibrado en línea durante su funcionamiento.
- Siempre verifique que las mangueras y las conexiones no estén dañadas antes de su uso.

## **FUNCIONAMIENTO**



**Peligro de proyectil.** Use protección para los ojos aprobada por la norma ANSI. Nunca se pare directamente al frente de una prensa cargada. Asegúrese de que la pieza de trabajo esté cargada en el centro y bien fija. Para reducir el riesgo de residuos volátiles, siga cuidadosamente todas las instrucciones de funcionamiento. Conozca la prensa y los peligros relacionados con su uso.



**Peligro de aplastamiento.** Mantenga en todo momento las manos y los pies lejos del área de la bancada.

1. Introduzca los pasadores de soporte a la altura deseada y baje la caja. Asegúrese de que la bancada esté completamente apoyada en los pasadores de soporte.
2. Coloque las placas de husillo en la bancada, según sea necesario.
3. Coloque la pieza de trabajo en la bancada. Tome todas las precauciones necesarias para garantizar su seguridad y evitar los daños a la propiedad. Ubique la pieza de trabajo de manera que no pueda caerse de la bancada accidentalmente.
4. a.) **Para los modelos 60120 y 60200:** Use el extremo muescado (o estampado) de la manija del gato, para cerrar la válvula de liberación; para hacerlo, gírela a la derecha firmemente hasta que quede rígida.  
b.) **Para los modelos 60123, 60253 y 65123:** Cierre la válvula de liberación; para hacerlo, gire la manija a la derecha firmemente y bombéela para extender el ariete de modo que se acerque a la pieza de trabajo.
5. Bombee el ariete hasta que se acerque a la pieza de trabajo.
6. Alinee el ariete y la pieza de trabajo para garantizar una carga centrada.
7. Aplique la carga a la pieza de trabajo; para ello, bombee la manija. **No sobrecargue la pieza de trabajo.**  
**Para los modelos 60123, 60253 y 65123:** supervise el medidor de presión y calcule la carga aplicada con la siguiente fórmula como pauta básica: **Fuerza = Presión X Área**
  1. Área efectiva del modelos 60123, 65123 = 2,41 pulg.<sup>2</sup> (15,5 cm<sup>2</sup>)
  2. Área efectiva del modelo 60253 = 5,14 pulg.<sup>2</sup> (33,2 cm<sup>2</sup>)

**Problema 1:** Calcule la carga aplicada en libras-fuerza en una pieza de trabajo oprimida por la prensa del modelo 60123, cuyo medidor de presión arroja una lectura de 9000 psi (62,1 MPa).  
**Solución 1:** 9000 X 2,41 = **21 690 libras-fuerza**

**Problema 2:** Calcule la carga aplicada en libras-fuerza en una pieza de trabajo oprimida por la prensa del modelo 60253, cuyo medidor de presión arroja una lectura de 2200 psi (15,2 MPa).  
**Solución 2:** 2200 X 5,14 = **11 308 libras-fuerza**
8. Estabilice la pieza de trabajo de manera que no pueda caerse accidentalmente de la bancada una vez que se quite la carga; luego gire la válvula de liberación a la izquierda hasta que el ariete se retrotraiga y quite la pieza de trabajo. No gire la válvula de liberación más de un giro completo a la izquierda.

**Nota:** Para proteger el ariete, no continúe bombeando cuando el primero esté totalmente extendido o retraído.



Para reducir cualquier riesgo de lesiones personales o daños a la propiedad, asegúrese de que la presión de trabajo nominal de cada accesorio presurizado sea **igual o mayor que** la presión de trabajo nominal desarrollada por la bomba hidráulica.

## FUNCIONAMIENTO (cont.)

9. Estabilice la pieza de trabajo de manera que no pueda caerse accidentalmente de la bancada una vez que se quite la carga; luego gire la válvula de liberación a la izquierda hasta que el ariete se retrotraiga y quite la pieza de trabajo. No gire la válvula de liberación más de un giro completo a la izquierda.



**Para los modelos 60120 y 60200 únicamente:** Use únicamente la manija proporcionada por el fabricante. La manija provista con este producto se enganchará de manera segura en la válvula de liberación del gato de botella y operará el manguito de la manija. Si la manija está desgastada, funciona de manera anormal o no se engancha de manera positiva en la válvula de liberación, **DETÉNGASE** e interrumpa el uso del gato hasta que pueda adquirirse una manija de reemplazo de la fábrica.



**Para los modelos 60120 y 60200 únicamente:** A diferencia de las prensas equipadas con una bomba montada por separado, la unidad eléctrica de esta prensa **no** se puede equipar con un medidor de presión, con lo cual la supervisión de la carga **debe** realizarse por otros medios, como una celda de carga con indicador digital. Independientemente del medio escogido, los medios de medición de carga deben calibrarse anualmente.



La unidad eléctrica hidráulica de este dispositivo está diseñada para su uso como una parte integral de esta prensa y no como un dispositivo de gato independiente separado de la prensa. **Nunca** utilice la unidad eléctrica hidráulica de esta prensa para ningún otro fin que no sea aquel para el que fue fabricada.

## MANTENIMIENTO

Antes del uso, inspeccione la prensa para detectar si hay daños. No la utilice si detecta que los componentes están doblados, rotos, agrietados, dañados de algún otro modo o presentan fugas. Periódicamente, lubrique ligeramente las piezas móviles, incluidos el ariete y el pistón de la bomba.

### Para los modelos 60120 y 60200:

#### Agregado/cambio de aceite del gato de botella

**Importante:** Use solo aceite para gatos hidráulicos de buena calidad. Evite mezclar diferentes tipos de líquidos y NUNCA use líquido de frenos, aceite de turbinas, líquido de transmisión, aceite de motor ni glicerina. El uso de un líquido inadecuado puede provocar fallas prematuras en el gato y posibles pérdidas de carga repentinas e inmediatas. Se recomienda el uso de aceite para gato hidráulico de alta calidad o su equivalente.

1. Quite el gato del armazón de la prensa.
2. Una vez que el ariete haya descendido por completo y el pistón de la bomba se haya oprimido por completo, coloque el gato en posición vertical y a nivel. Retire el tapón de llenado de aceite.
3. Vierta el líquido usado en un recipiente adecuado.  
**Nota:** Deseche el aceite hidráulico conforme a las reglamentaciones locales.
4. Vierta aceite hasta que esté a nivel con o justo por debajo del orificio del tapón de llenado.
5. Realice el procedimiento indicado en Purgado/descarga del aire atrapado.

### Para los modelos 60123, 60253 y 65123 únicamente:

#### Agregado/cambio de aceite de la bomba manual

**Importante:** Use solo aceite para gatos hidráulicos de alta calidad. Evite mezclar diferentes tipos de líquidos y NUNCA use líquido de frenos, aceite de turbinas, líquido de transmisión, aceite de motor ni glicerina. El uso de un líquido inadecuado puede provocar fallas prematuras en el ariete y en la bomba y posibles pérdidas de carga repentinas e inmediatas. Se recomienda el uso de aceite para gato hidráulico de alta calidad o su equivalente.

Para obtener mejores resultados, cambie el líquido una vez al año.

1. Despresurice y desconecte la manguera hidráulica de la aplicación.
2. Retire el tornillo de llenado de aceite ubicado en la parte superior del depósito.
3. Vierta el líquido usado en un recipiente hermético.  
**Nota:** Deseche el líquido hidráulico conforme a las reglamentaciones locales.
4. Con la bomba en posición recta y horizontal, use un embudo pequeño para llenar el depósito hasta 1/4" (6 mm) de la abertura.
5. Limpie el líquido derramado y vuelva a colocar el tapón de llenado de aceite ventilado.
6. Realice el procedimiento indicado en Purgado/descarga del aire atrapado.

#### Procedimiento de Purgado/descarga del aire atrapado:

1. Coloque la bomba en una posición más elevada que la manguera y el ariete, como se muestra en la Figura 7.
2. Haga funcionar la bomba para extender y retraer completamente el ariete 2 o 3 veces. El objetivo es forzar las burbujas de aire y enviarlas nuevamente al depósito de la bomba.
3. Para purgar el aire del depósito de la bomba, simplemente abra el tornillo de llenado de aceite. Vuelva a colocar el tornillo después de la purga.

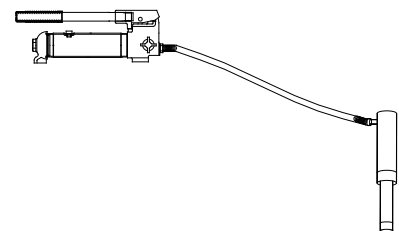


Figura 7: Ilustración de la purga del aire del sistema

### Prevención del óxido

Revise periódicamente el pistón de la bomba y el ariete para detectar signos de óxido. Límpielos con un paño con aceite saturado sin pelusas, según sea necesario.

### Para los modelos 60123, 60253 y 65123 únicamente:

#### Cómo extraer un acoplador defectuoso:

Si el ariete no se retrae: Despresurice la bomba y la manguera; luego quite el ariete de la aplicación. Desconecte y reemplace con un nuevo acoplador.

**Importante:** No intente sujetar el ariete con pinzas o una llave sin antes haber envuelto las mordazas de dicha herramienta con trapos o algo similar.

## LOCALIZACIÓN Y SOLUCIÓN DE PROBLEMAS

Síntoma	Causas posibles	Medidas correctivas
El ariete no prensa la carga.	<ul style="list-style-type: none"><li>• La válvula de liberación no está herméticamente cerrada.</li><li>• Hay un estado de sobrecarga.</li></ul> <p><b>Para los modelos 60123, 60253 y 65123:</b></p> <ul style="list-style-type: none"><li>• Los acopladores están defectuosos/ sueltos.</li><li>• El nivel de aceite de la bomba está bajo.</li><li>• La válvula de liberación no está completamente cerrada.</li></ul>	<ul style="list-style-type: none"><li>• Asegúrese de que la válvula de liberación esté herméticamente cerrada.</li><li>• Solucione el estado de sobrecarga.</li></ul> <ul style="list-style-type: none"><li>• Reemplace/apriete los acopladores.</li><li>• Llene y purgue el sistema.</li><li>• Ajuste la válvula de liberación.</li></ul>
El ariete se purga por completo después del funcionamiento de la prensa.	<ul style="list-style-type: none"><li>• La válvula de liberación no está herméticamente cerrada.</li><li>• El ariete no funciona correctamente.</li></ul>	<ul style="list-style-type: none"><li>• Asegúrese de que la válvula de liberación esté herméticamente cerrada.</li><li>• Póngase en contacto con un técnico de servicio de Omega.</li></ul>
El ariete no se retrae después de la descarga.	<ul style="list-style-type: none"><li>• El depósito está lleno en exceso.</li><li>• El enlace está atascado.</li></ul> <p><b>Para los modelos 60123, 60253 y 65123:</b></p> <ul style="list-style-type: none"><li>• Los acopladores están flojos.</li></ul>	<ul style="list-style-type: none"><li>• Descargue el líquido hasta el nivel adecuado.</li><li>• Limpie y lubrique las piezas móviles.</li></ul> <ul style="list-style-type: none"><li>• Inspeccione los acopladores.</li></ul>
La capacidad de prensado es deficiente.	<ul style="list-style-type: none"><li>• El nivel de líquido está bajo.</li><li>• Hay aire atrapado en el sistema.</li></ul>	<ul style="list-style-type: none"><li>• Asegúrese de que el nivel de líquido sea el adecuado.</li><li>• Siga las instrucciones de purgado/ descarga del aire atrapado, en la página 30 o 35 para los <b>modelos 60123, 60253 y 65123.</b></li></ul>
El ariete no se extiende al máximo de su capacidad.	<ul style="list-style-type: none"><li>• El nivel de líquido está bajo.</li></ul>	<ul style="list-style-type: none"><li>• Asegúrese de que el nivel de líquido sea el adecuado.</li></ul>
Hay una fuga de aceite desde el ariete.	<ul style="list-style-type: none"><li>• El ariete no funciona correctamente.</li></ul>	<ul style="list-style-type: none"><li>• Póngase en contacto con un técnico de servicio de Omega.</li></ul>

## PIEZAS DE REPUESTO

No todos los componentes de la prensa tienen reemplazo, pero se ilustran a modo de referencia práctica de la ubicación y la posición que ocupan en la secuencia del conjunto. Cuando realice el pedido de piezas, indique el número de modelo y la descripción de las piezas. Para obtener el precio vigente, comuníquese a: SFA Companies 10939 N. Pomona Ave. Kansas City, MO 64153, U.S.A. Correo electrónico: sales@omegalift.com Tel.: (888) 332-6419 Fax: (816) 891-6599, sitio web: <http://www.omegalift.com>

Elem.	N.º de pieza para el modelo:		Descripción	Cant.
	60120	60200		
1	T060-05000-000	T126-00002-000	Travesaño superior	1 (2 piezas para 60200)
2	T060-00001-100		Resorte	2
3	T060-00002-100		Tornillo gancho	2
4	B120-10000-000	B200-10000-000	Gato de botella	1
5	T060-04000-000	T126-02000-000	Soporte del gato	1
6	B080-20000-000	T126-03000-000	Manija del gato	1
7	T060-00003-100	T126-00001-000	Canal recto	2
8	T060-02000-000	T125-01000-000	Pasador de soporte	2
9	T184-00004-000		Enlace de soporte	2
10	T060-00006-000	T184-00005-000	Pata de la base	2
11	T060-03000-000	T125-02000-000	Bancada	1
12	T060-01000-100	T184-00006-000	Travesaño inferior	1
13	T184-90009-K01	T125-90009-K01	Conjunto de placas de husillo	1
14	-	T126-01000-000	Placa superior	1
-	T060-06000-000	T126-04000-000	Kit de accesorios	-

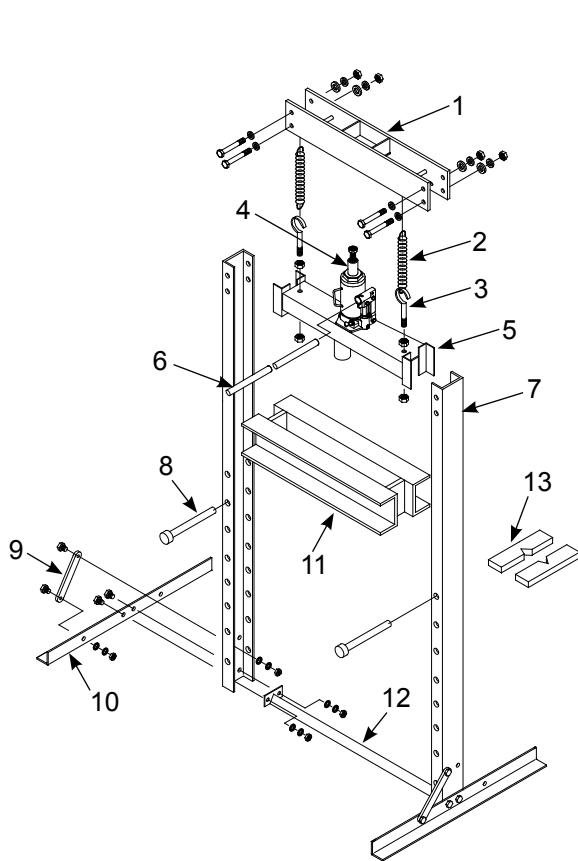


Figura 8: Ilustración de piezas de repuesto para el modelo 60120

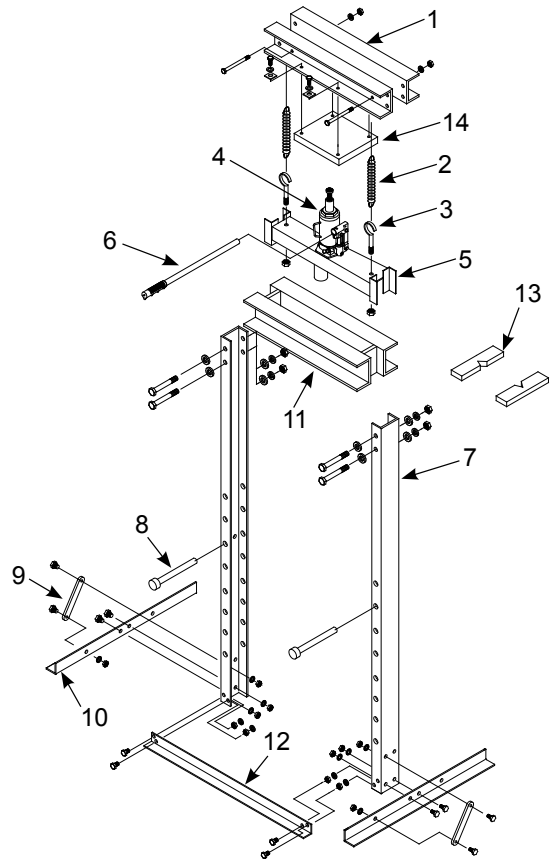


Figura 9: Ilustración de piezas de repuesto para el modelo 60200

## PIEZAS DE REPUESTO

No todos los componentes de la prensa tienen reemplazo, pero se ilustran a modo de referencia práctica de la ubicación y la posición que ocupan en la secuencia del conjunto. Cuando realice el pedido de piezas, indique el número de modelo y la descripción de las piezas. Para obtener el precio vigente, comuníquese a: SFA Companies 10939 N. Pomona Ave. Kansas City, MO 64153, U.S.A. Correo electrónico: sales@omegalift.com Tel.: (888) 332-6419 Fax: (816) 891-6599, sitio web: <http://www.omegalift.com>

Elem.	N.º de pieza para el modelo:			Descripción	Cant.
	60253	60123	65123		
1	T125-00001-000	T184-00001-000	T213-00001-000	Travesaño superior (1 pieza para 65123)	2
2	T125-00003-000	T184-00008-000		Punzón	1
3	T125-90009-K01	T184-90009-K01		Placas de husillo (par)	1
4	T125-02000-000	T184-02000-000	T213-01000-000	Bancada	1
5	T125-01000-000	T184-01000-000		Pasador de soporte	2
6	T125-00002-000	T184-00002-000	T213-00002-000	Canal recto	2
7	T184-00006-000		T213-00003-000	Travesaño inferior	1
8	T184-00004-000			Enlace de soporte	2
9	T184-00005-000		T213-00004-000	Pata de la base	2
10	T184-00003-000		-	Soporte de la bomba	1
11	F100-90119-K02			Bomba manual	1
12	T125-00008-000		-	Soporte fijo	2
13	F040-90107-K02			Tornillo de llenado de aceite	1
14	T125-03000-000	T184-03000-000		Placa superior	1
15	F250-30000-000	F100-30000-000		Ariete	1
16	F040-90009-K04			Acoplador, hembra 1/4" (0,64 cm) NPT	1
	F040-90009-K05			Acoplador, macho 1/4" (0,64 cm) NPT	1
17	F100-90009-K01			Manija de la bomba	1
-	T125-04000-000	T184-04000-000	T213-02000-000	Kit de accesorios	-
*	55101			Bomba accionada por aire (opcional)	-

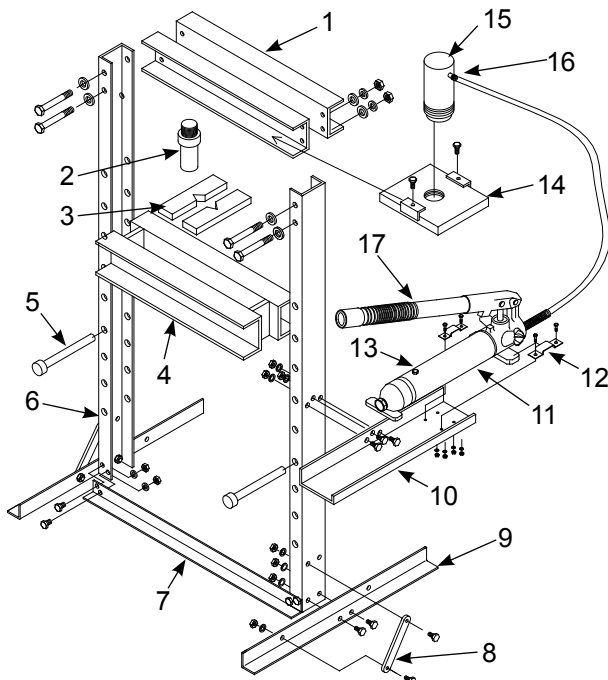


Figura 10: Ilustración de piezas para los modelos 60123 y 60253

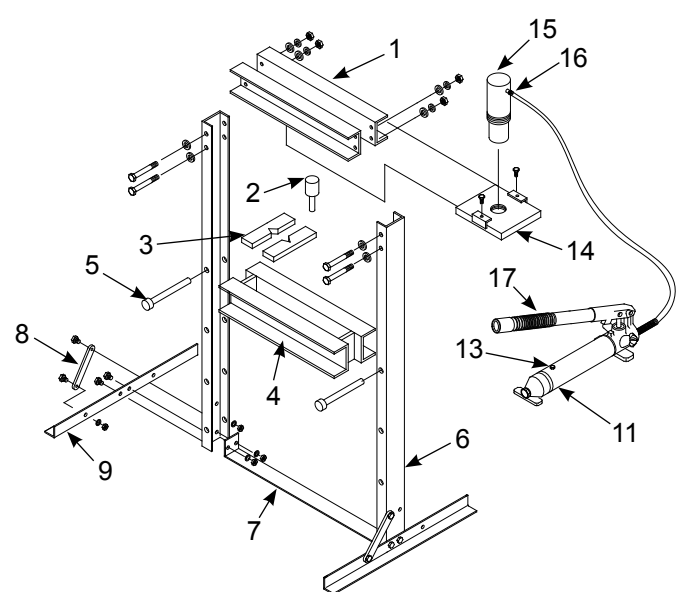


Figura 11: Ilustración de piezas para el modelo 65123

## GARANTÍA LIMITADA DE UN AÑO

Por el período de un (1) año desde la fecha de compra, SFA Companies reparará o reemplazará, a su discreción, sin costo alguno, cualquier producto que presente fallas debido a defectos de materiales o mano de obra bajo condiciones normales de uso. Esta garantía limitada es un recurso exclusivo del consumidor.

El cumplimiento de toda obligación en virtud de esta garantía puede obtenerse con el envío del producto en garantía, con flete abonado en origen, a SFA Companies Warranty Service Department, 10939 N. Pomona Ave., Kansas City, MO 64153.

Salvo que tales limitaciones y exclusiones estén específicamente prohibidas por las leyes vigentes, (1) EL ÚNICO Y EXCLUSIVO RECURSO DEL CONSUMIDOR SERÁ LA REPARACIÓN O EL REEMPLAZO DE LOS PRODUCTOS DEFECTUOSOS, COMO SE DETALLA ARRIBA. (2) SFA Companies NO SERÁ RESPONSABLE, EN NINGÚN CASO, POR DAÑOS O PÉRDIDAS EMERGENTES O INCIDENTALES. (3) TODA GARANTÍA IMPLÍCITA, LO QUE INCLUYE, ENTRE OTRAS, LAS GARANTÍAS IMPLÍCITAS DE COMERCIALIZACIÓN Y APTITUD PARA FINES ESPECÍFICOS, ESTARÁ LIMITADA A UN AÑO; DE OTRO MODO, LA REPARACIÓN, EL REEMPLAZO O LA DEVOLUCIÓN DE DINERO CONFORME A ESTA GARANTÍA LIMITADA EXPRESA SERÁ EL EXCLUSIVO RECURSO DEL CONSUMIDOR, Y SE OFRECE EN LUGAR DE CUALQUIER OTRA GARANTÍA, EXPRESA O IMPLÍCITA. (4) CUALQUIER MODIFICACIÓN, ALTERACIÓN, USO INDEBIDO, SERVICIO NO AUTORIZADO O DISEÑO ORNAMENTAL ANULARÁ ESTA GARANTÍA Y NO ESTARÁ CUBIERTO POR ESTA GARANTÍA.

Algunos estados no permiten la limitación de la duración de las garantías implícitas, por lo que las limitaciones anteriores pueden no aplicarse en su caso. Algunos estados no permiten excluir o limitar los daños emergentes o incidentales, por lo tanto esta limitación o exclusión puede no ser aplicable en su caso. Esta garantía le otorga derechos legales específicos. Usted puede tener además otros derechos que varían de un estado a otro.





SFA Companies  
10939 N. Pomona Ave. Kansas City, MO 64153  
888-332-6419  
sales@omegalift.com