

Operating Instructions & Parts Manual



Engine Cranes

Model

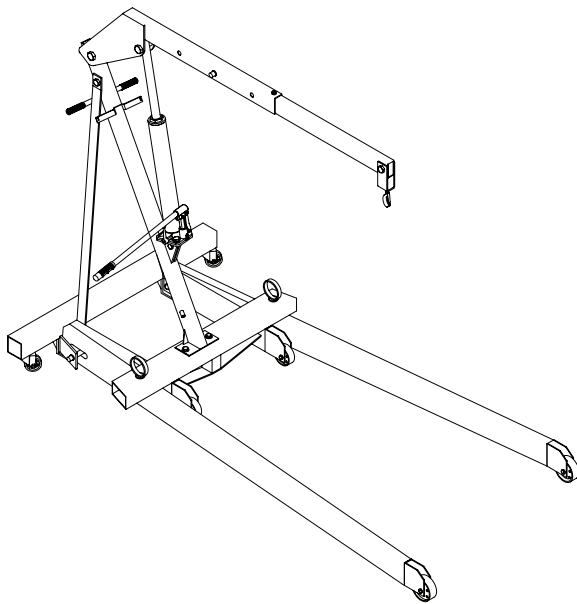
44010 (Foldable Legs)

44020 (Retractable Legs)

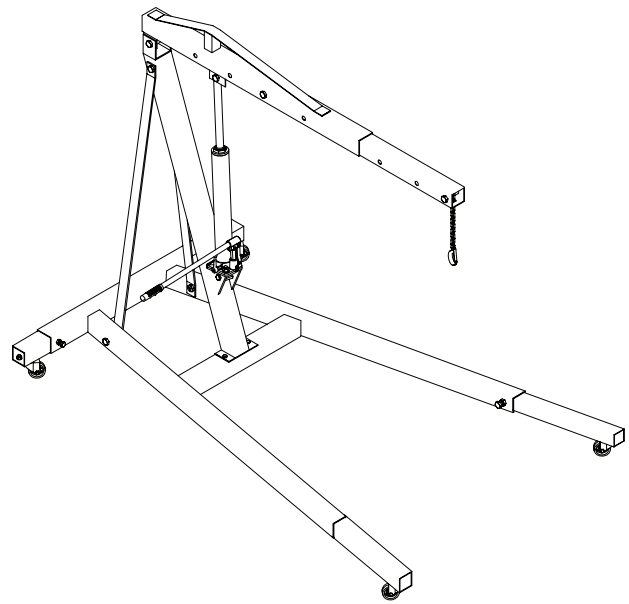
Capacity

1 Ton

2 Ton



Model 44010



Model 44020



This is the safety alert symbol. It is used to alert you to potential personal injury hazards. Obey all safety messages that follow this symbol to avoid possible injury or death.

WARNING



*To avoid crushing and related injuries:
NEVER work on, under or around a
load supported only by a hydraulic jack.
ALWAYS use a pair of adequately rated
jack stands.*

SFA Companies
<http://www.omegalift.com>

Read this manual and follow all the Safety Rules and Operating Instructions before using this product.

SAFETY AND GENERAL INFORMATION

Save these instructions. For your safety, read, understand, and follow the information provided with and on this device before using. The owner and/or operator shall have an understanding of the device, its operating characteristics and safety operating instructions before operating the equipment. The owner and/or operator shall be aware that use and repair of this product may require special skills and knowledge. Instructions and safety information shall be read to and discussed with the operator in the operator's native language, making sure that the operator comprehends their contents, before use of this equipment is authorized. If any doubt exists as to the safe and proper use of this device, remove from service immediately.

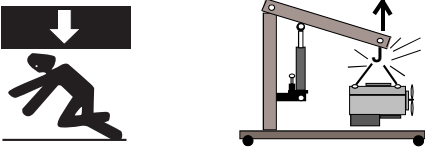
Inspect before each use. Do not use if abnormal conditions such as cracked welds, damaged, loose or missing parts are noted. Any equipment that appears damaged in any way, is found to be worn, or operates abnormally shall be removed from service until repaired. If the equipment has been or is suspected to have been subjected to an abnormal load or shock, immediately discontinue use until inspected by a factory authorized repair facility (contact distributor or manufacturer for list of authorized repair facilities). It is recommended that an annual inspection be made by an authorized repair facility. Labels and Operator's Manuals are available from the manufacturer.

PRODUCT DESCRIPTION

This engine crane is intended to be used to remove, install and transport in the lowered position, rated capacity automotive and light truck engines and engine assemblies. It must be used with appropriately rated engine leveller, sling and/or chains which are NOT INCLUDED. After removing, immediately transfer the load to an appropriately rated work station such as an engine stand.

⚠ WARNING: *Do not use this device for any purpose other than described above.*

⚠ WARNING
<ul style="list-style-type: none">• Study, understand, and follow all instructions before operating this device.• Do not exceed rated capacity.• Use only on hard, level surface.• Before moving, lower the load to the lowest possible point.• Use only slings or chains with a rated capacity greater than the weight of the load being lifted.• Do not allow load to swing or drop violently while lowering or moving.• No alterations shall be made on this product.• Failure to heed these markings may result in personal injury and/or property damage.

⚠ WARNING

<p>To avoid crushing and related injuries:</p> <ul style="list-style-type: none">• NEVER work on, under or around a loaded crane.• Immediately transfer the load to an appropriately rated engine stand.• Be alert and sober when using this product! Never operate this equipment when under the influence of drugs or alcohol.• DO NOT place yourself or anyone else over the loaded boom or in its line of travel.• Use only hardened, appropriately sized fasteners to secure engine to crane.• Use only chains and slings with a capacity equal to or greater than that of the crane.• Never extend boom extension beyond leg extension (Model 44020).

SPECIFICATIONS

Model	Rated Capacity	Ram Hydraulic Stroke	Base Length	Base Width (Front)	Base Width (Rear)	Boom Position	Min. Hook Height	Max. Hook Height	Boom Length
44010	1 Ton	19"	71-5/8"	18-1/2"~ 44-7/8"	31-1/2"	1 Ton	4-7/8"	82-1/4"	33-7/8"
						3/4 Ton	3-3/8"	85"	39-3/4"
						1/2 Ton	0"	86-5/8"	45-5/8"
44020	2 Ton	19"	62-3/8"~ 90-3/4"	29"~ 33-7/8"	34-5/8"~ 53-1/8"	2 Ton	18-3/8"	69-1/4"	48-3/4"
						1-1/2 Ton	14"	75-1/4"	57-3/4"
						1 Ton	9-1/4"	81-1/4"	66-3/4"
						1/2 Ton	5"	86-1/2"	76-3/4"

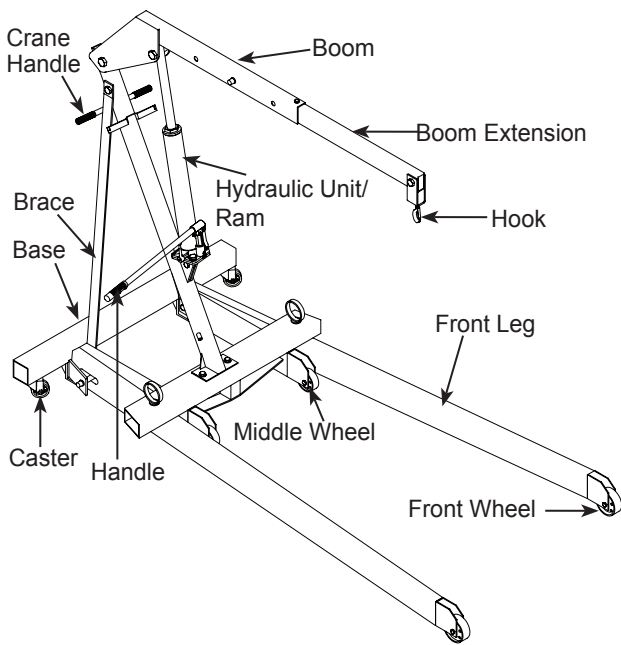


Figure 1 - Model 44010 Nomenclature

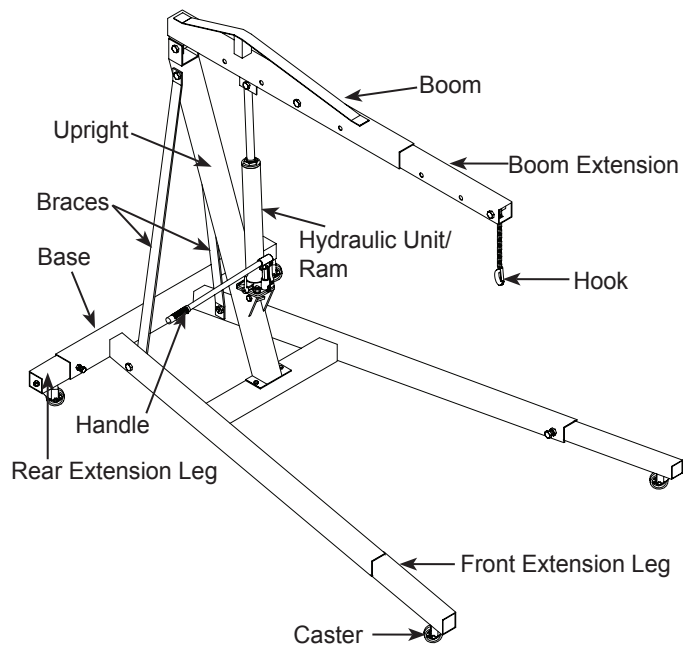


Figure 2 - Model 44020 Nomenclature

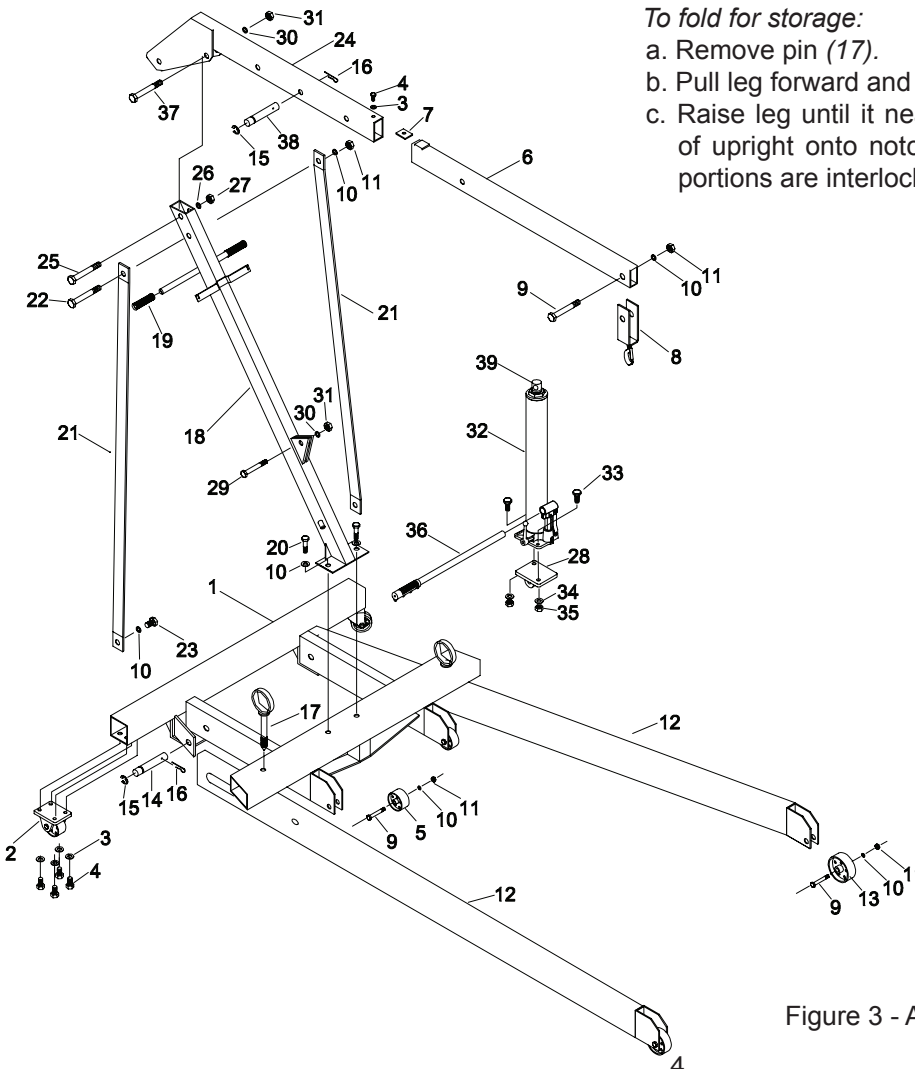
ASSEMBLY

Model 44010:

1. Make sure all parts are present (*ref. Fig. 1 & 3*). If any parts are missing or damage, contact customer service.
2. Attach caster (2) to base (1) using M8x16 bolts and washers (4 & 3), then attach 3-1/2" wheels (5) using bolts, washers & nuts (9, 10 & 11).
3. Install the 5" wheels (13) to front legs (12) using bolts, washers & nuts (9, 10 & 11).
4. Attach two front legs (12) to base (1) using pin, "E" clip, snap pin & lock bolt (14, 15, 16 & 17).
5. Attach upright (18) to base (1) using two bolts & nuts (20 & 10). Upright must lean towards the rear of the base as shown. Leave nuts finger tight.
6. Attach two braces (21) to upright (18) with bolt, washer & nut (22, 10 & 11). Leave nut finger tight.
7. Attach the bottom of braces (21) to inside of base (1) using two each bolts & nuts (23 & 10).
8. Tighten all bolts from upright (18) to base (1), braces (21) to upright (18), and braces (21) to base (1).
9. Attach hydraulic unit (32) to the mounting bracket (28) using bolts, washers & nuts (33, 34 & 35). *Handle socket of hydraulic unit must face the front of the base as shown*. Then position the assembly between mounting ears on upright (18), and attach using bolt, washer & nut (29, 30 & 31). Tighten nut. Lean hydraulic unit assembly back against upright.
10. Connect boom (24) to upright using bolt, washer & nut (25, 26 & 27).
11. Hold boom (24) and pivot hydraulic unit (32) out away from upright. Attach the ram of hydraulic unit (39) to boom with bolt, washer & nut (37, 30 & 31). Tighten nut.
12. Slide boom extension (6) into boom and secure in retracted position using pin, "E" clip & cotter pin (38, 15 & 16). Three positions available: 1/2 ton, 3/4 ton, and 1 ton position.
13. Slide square washer (7) into boom using bolt & washer (4 & 3).
14. Insert hook (8) to boom extension using bolt, washer & nut (9, 10 & 11). Retighten all fasteners.

To fold for storage:

- a. Remove pin (17).
- b. Pull leg forward and aside, away from base.
- c. Raise leg until it nears vertical, engage notched portion of upright onto notched portion of leg. Ensure notched portions are interlocked. Repeat for other leg.



Item	Hardware Kit Component	Qty
3	Lock Washer M8	9
4	Bolt M8 x 16	9
7	Washer M8	1
9	Bolt M12 x 65	5
10	Lock Washer M12	10
11	Nut M12	6
20	Bolt M12 x 70	2
22	Bolt M12 x 90	1
23	Bolt M12 x 30	2
25	Bolt M20 x 100	1
26	Lock Washer M20	1
27	Nut M20	1
29	Bolt M16 x 70	1
30	Lock Washer M16	2
31	Nut M16	2
33	Bolt M10 x 30	2
34	Lock Washer M10	2
35	Nut M10	2
37	Bolt M16 x 90	1

Figure 3 - Assembly Illustration for Model 44010

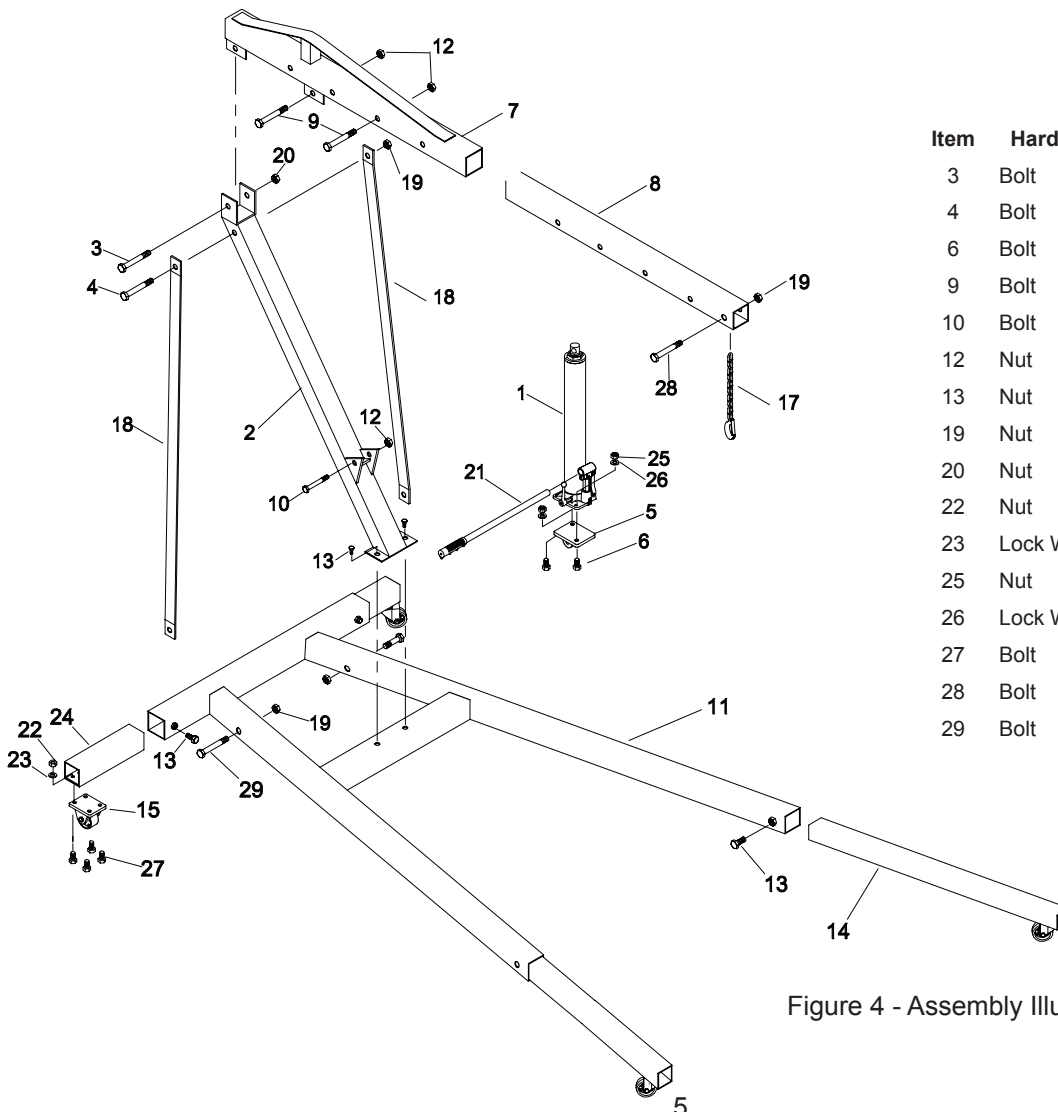
ASSEMBLY

Model 44020:

1. Make sure all parts are present (refer Fig. 2 & 4). If any parts are missing or damage, contact customer service.
2. Attach swivel casters (15) to rear extension legs (24) with bolts, washers & nuts (27, 23 & 22).
3. Slide front extension legs (14) and rear extension legs (24) into base (11), secure with bolts (13) into base, tighten bolts.

NOTICE: Never adjust leg extensions beyond factory marked position on each leg. Adjust each leg extension an equal distance from the base.

4. Place upright (2) on the base (11) and secure with bolts (13). Leave bolts finger tight.
5. Attach braces (18) on each side of upright at top and secure with bolt & nut (4 & 19). Place bottom of braces to inside of base, and secure with bolts & nuts (29 & 19).
6. Attach bracket (5) to hydraulic unit (1) with bolts, washers & nuts (6, 25 & 26). Then attach the assembly to upright mounting ears using bolt & nut (10 & 12).
7. Place boom (7) on top of upright (2) and secure with bolt & nut (3 & 20). Pump hydraulic unit using handle (21) until ram extends approximately 2". Place boom mounting bracket on top of ram and secure with bolt & nut (9 & 12).
8. Slide boom extension (8) into the boom (7), ensure the slot for chain faces down and secure with bolt & nut (9 & 12) in correct hole on boom for your particular job. Four positions available: 1/2 ton, 1 ton, 1 1/2 ton and 2 ton.
9. Slide chain and hook (17) through slot in lower front of boom extension (8) and secure with bolt & nut (28 & 19) as shown. Retighten all fasteners.



Item	Hardware Kit Component	Qty
3	Bolt M20 x 120	1
4	Bolt M12 x 100	1
6	Bolt M10 x 30	2
9	Bolt M16 x 90	2
10	Bolt M16 x 75	1
12	Nut M16	3
13	Nut M12 x 25	6
19	Nut M12	4
20	Nut M20	1
22	Nut M8	16
23	Lock Washer M8	16
25	Nut M10	2
26	Lock Washer M10	2
27	Bolt M8 x 16	16
28	Bolt M12 x 75	1
29	Bolt M12 x 90	2

Figure 4 - Assembly Illustration for Model 44020

BEFORE USE

1. Verify that the product and the application are compatible, if in doubt call Omega technical service (888) 332-6419.
2. Before using this product, read the operator's manual completely and familiarize yourself thoroughly with the product, its components and recognize the potential hazards associated with its use.
3. To familiarize yourself with basic operation, turn the release valve lever:
 - a. *Clockwise* until firm resistance is felt to further turning. This is the '**CLOSED**' release valve position used to raise the ram plunger.
 - b. *Counter-clockwise*, but no more than 2 turns from the closed position. This is the '**OPEN**' release valve position used to lower the ram plunger.

⚠ WARNING: Clear all tools and personnel before lowering load. Open release valve slowly. The further handle is turned counter-clockwise, the faster the load will descend. Maintain control of the load at all times.

4. Remove hydraulic unit and position as shown in figure 5.
5. With ram plunger fully retracted, remove the oil filler plug. Insert the handle into the handle sleeve, then pump 6 to 8 strokes. This will help release any pressurized air, which may be trapped within the reservoir. Ensure the oil level is just below the oil filler hole. Reinstall the oil filler plug.
6. Reinstall hydraulic unit.
7. Check to ensure that crane rolls freely and that the pump and release valve operate smoothly. Raise and lower the unloaded crane throughout the lifting range before putting into service. Replace worn or damaged parts and assemblies with Factory Authorized Replacement Parts only.

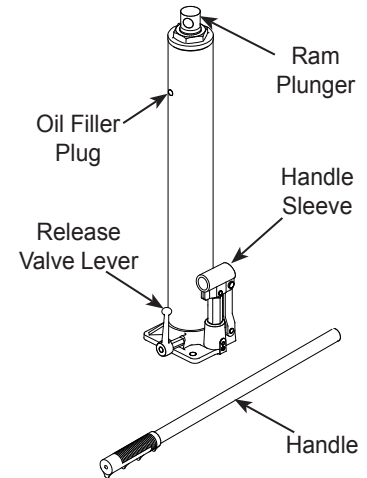


Figure 5 - Hydraulic Unit/ Ram

OPERATION

⚠ WARNING: Use of this engine crane is limited to lifting, lowering, and transporting in the lowest possible position, automotive and light truck engines. It is NOT and should never be used as a work station.

For model 44020:

The crane features length adjustable boom and length and width adjustable leg extensions. Extend both rear legs to an equal width. It is recommended that both rear legs be extended to the maximum allowable distance as limited by the marking on each leg. Both front leg extensions must be positioned to match the rated capacity markings on the booms. Both rear and front legs must be secured by means of a locking fastener found on each leg frame tube. Do not overtighten.

⚠ WARNING: Front legs must be extended to equal length and match the rated capacity markings found on the boom. Never operate crane with boom and leg extensions positioned at different capacities (ref. Figure 6.)

For All Models:

Always refer to vehicle service manual and/or shop manual for location of appropriate engine lift points and removal procedures. Each engine removal/installation may required different tools, procedures, and level of expertise.

⚠ WARNING: Lift only on areas of the engine as specified by the vehicle manufacturer.

⚠ WARNING: Never load the crane with an engine that extends beyond an imaginary line drawn connecting the centerlines of the front and rear wheel/caster axles as shown in Figure 6.

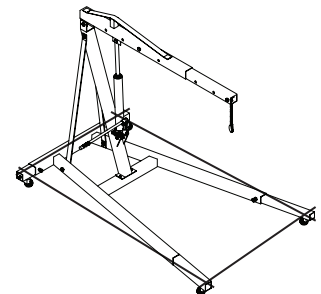


Figure 6

1. Ensure that the load does not exceed the rated capacity of your chosen boom and leg position.
2. Secure appropriately rated engine leveler, chain or sling assembly (sold separately) to the vehicle manufacturers' recommended engine lift points.
3. Secure the engine crane safety hook assembly to the engine leveler, chain or sling assembly.
4. Refer to vehicle service manual and/or shop manual for location of appropriate engine lift points and removal procedures. Each engine removal/installation may require different tools, procedures, and level of expertise.
5. When ready to remove engine, turn release valve clockwise until firm. Pump handle until load is high enough to clear vehicle. Before moving, ensure the load is:
 - a. at the lowest practical position and always below the center of gravity.
 - b. prevented from swinging and inadvertent shifting.

⚠ WARNING: *Never put any portion of your body under a load supported by the engine crane. Keep crane on hard, smooth, level surface Before moving crane, lower the boom as far below horizontal as possible, yet still allowing movement!*

6. Remove engine, then immediately transfer the engine to appropriate engine support device (engine stand). Turn release valve lever counter-clockwise to lower the load, but never more than 2 full turns. **Control** the rate of descent of the load **at all times**. The more you open the release valve, the faster the load descends.
7. Ensure stand is secure before working on or around.

MAINTENANCE

Periodically inspect the engine crane and fasteners. Replace worn or damaged parts with factory replacement parts only. Ensure caster, wheels, boom extension, leg extensions (if equipped) and pump assembly move freely.

NOTICE: *Use only good quality hydraulic jack oil. Avoid mixing different types of fluid and NEVER use brake fluid, turbine oil, transmission fluid, motor oil or glycerin. Improper fluid can cause premature failure of the jack and the potential for sudden and immediate loss of load. Premium hydraulic jack oil is recommended.*

Adding Oil to Hydraulic Unit

1. Remove hydraulic unit from crane.
2. With ram fully lowered and pump piston fully depressed, set hydraulic unit in its upright, level position. Remove oil filler plug.
3. Fill with oil until just below the rim of the oil filler plug hole. Reinstall the oil filler plug.

Changing Oil of Hydraulic Unit

For best performance and longest life, replace the complete fluid supply annually.

1. Carefully remove hydraulic unit from crane.
2. With ram fully lowered and pump piston fully depressed, remove oil filler plug.
3. Lay the hydraulic unit on its side and drain the fluid into a suitable container.

NOTICE: *Dispose of hydraulic fluid in accordance with local environmental regulations.*

4. Set hydraulic unit in its level upright position. Fill with oil until just below the rim of the oil filler hole. Reinstall the oil filler plug.

Lubrication

If rust appears, sand affected area and cover with suitable utility paint. A periodic coating of light lubricating oil to pivot points, axles and hinges will help to prevent rust and assure that wheels, casters, and pump assemblies move freely.

Cleaning

Periodically check the pump piston and ram for signs of rust or corrosion. Clean as needed and wipe with an oily cloth.

NOTICE: *Never use sandpaper or abrasive material on ram or pump piston surfaces.*

MAINTENANCE (cont.)

Storage

Store the engine crane with the pump piston, ram, and boom fully lowered and the release valve open, but never more than 2 full turns. This will help prevent rust and corrosion to those critical surfaces of hydraulic unit.

TROUBLESHOOTING

Symptom	Possible Causes	Corrective Action
Crane will not lift load	<ul style="list-style-type: none">• Release valve not tightly closed• Overload condition	<ul style="list-style-type: none">• Ensure release valve tightly closed• Remedy overload condition
Crane will lift, but not maintain pressure	<ul style="list-style-type: none">• Release valve not tightly closed• Hydraulic unit malfunction	<ul style="list-style-type: none">• Ensure release valve tightly closed• Contact Omega Tech. Service
Crane will not lower after unloading	<ul style="list-style-type: none">• Reservoir overfilled	<ul style="list-style-type: none">• Ensure load is removed, then drain fluid to proper level
Poor lift performance	<ul style="list-style-type: none">• Fluid level low• Air trapped in system	<ul style="list-style-type: none">• Ensure proper fluid level• With ram fully retracted, remove oil filler plug to let pressurized air escape, then reinstall oil filler plug
Crane will not lift to full extension	<ul style="list-style-type: none">• Fluid level low	<ul style="list-style-type: none">• Ensure proper fluid level

REPLACEMENT PARTS

Not all components of the engine crane are replacement items, but are illustrated as a convenient reference for location and position in the assembly sequence. When ordering parts, please give the Model number and parts description. Call or write for current pricing: SFA Companies 10939 N. Pomona Ave. Kansas City, MO 64153, U.S.A. E-Mail: sales@omegalift.com Tel: (888) 332-6419 Fax: (816) 891-6599 Website: http://www.omegalift.com

Model 44010

Item	Part No.	Description	Qty.
1	BL80-10000-000	Hydraulic Unit	1
2	5905-00100-100	Oil Filler Plug	1
3	BL80-20000-000	Pump Handle	1
4	T473-00005-000	Hydraulic Unit Bracket	1
5	T474-07000-000	Hook Assembly	1
6	T474-00003-000	Front Wheel, 5"	2
7	T474-00002-000	Middle Wheel, 3-1/2"	2

Item	Part No.	Description	Qty.
8	T474-04000-000	Caster, 3-1/2"	2
9	T474-03000-000	Lock Pin	2
10	T474-00001-000	Braces	2
11	T474-08000-000	Boom Extension	4
-	T474-09000-000	Hardware Kit	-
-	BL800S-034	Seal Kit, Hydraulic Unit	-
-	44010-L0	Label	-
-	44010-M0	Manual	-

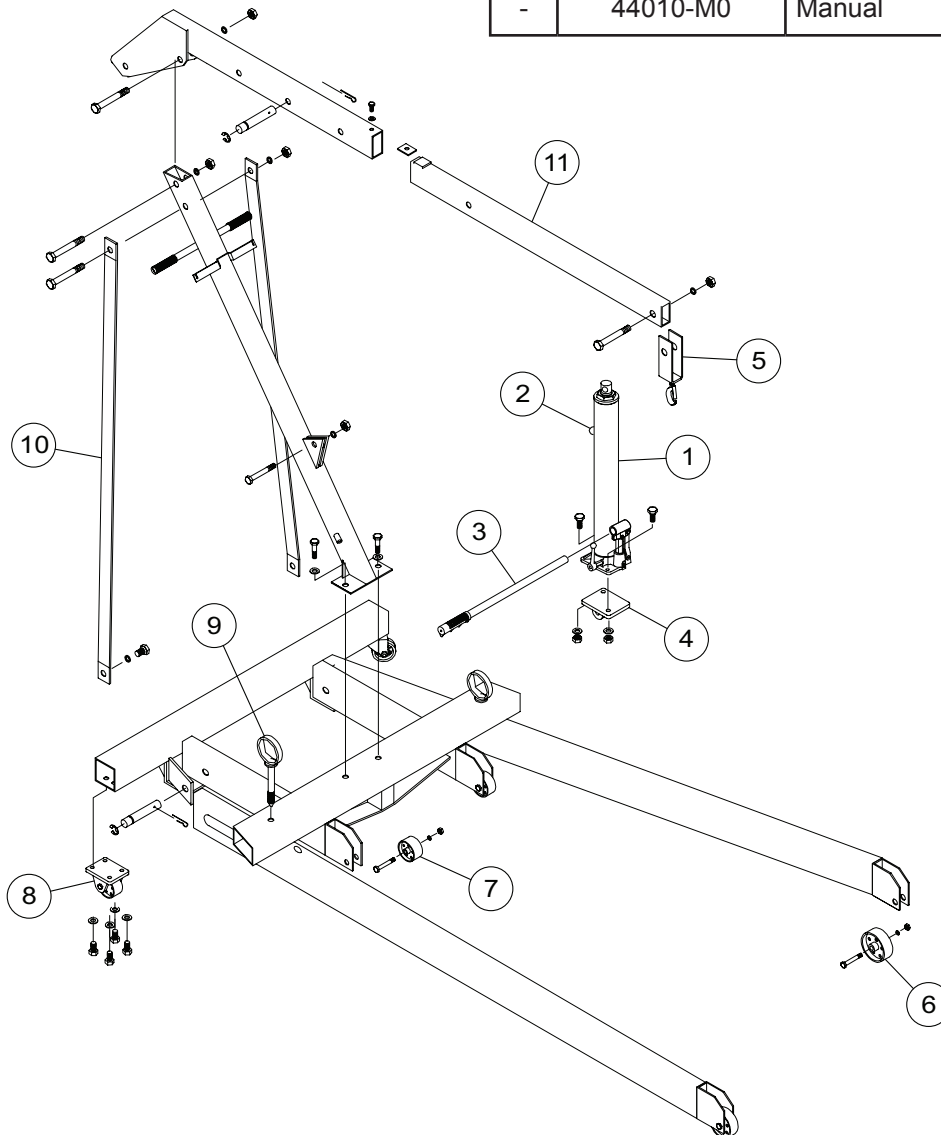


Figure 7 - Replacement Parts Illustration for Model 44010

Model 44020

Item	Part No.	Description	Qty.
1	BL80-10000-000	Hydraulic Unit	1
2	5905-00100-100	Oil Filler Plug	1
3	BL80-20000-000	Pump Handle	1
4	T473-00005-000	Hydraulic Unit Bracket	1
5	T473-05000-000	Hook Assembly	1
6	T473-04000-000	Caster, 3-1/2"	4
7	T473-00001-000	Braces	2

Item	Part No.	Description	Qty.
8	T473-00003-000	Boom Extension	1
9	T473-00004-100	Front Leg Extension	2
10	T473-00002-100	Rear Leg Extension	2
-	T473-06000-000	Hardware Kit	-
-	BL800S-034	Seal Kit, Hydraulic Unit	-
-	44020-L0	Label	-
-	44010-M0	Manual	-

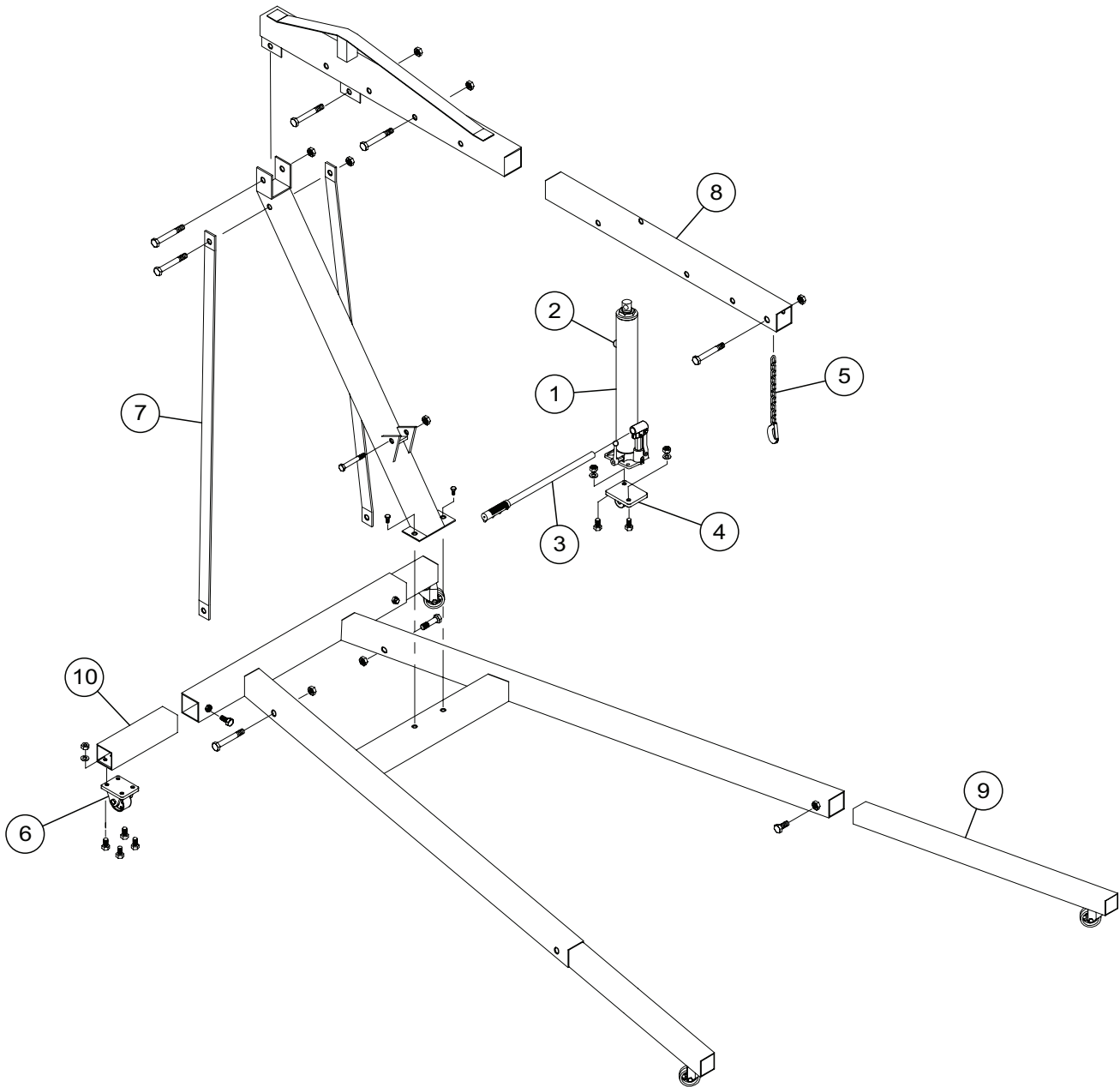


Figure 8 - Replacement Parts Illustration for Model 44020

ONE YEAR LIMITED WARRANTY

For a period of one (1) year from date of purchase, **SFA Companies** will repair or replace, at its option, without charge, any of its products which fails due to a defect in material or workmanship under normal usage. This limited warranty is a consumer's exclusive remedy.

Performance of any obligation under this warranty may be obtained by returning the warranted product, freight prepaid, to **SFA Companies** Warranty Service Department, 10939 N. Pomona Ave., Kansas City, MO 64153.

Except where such limitations and exclusions are specifically prohibited by applicable law, (1) THE CONSUMER'S SOLE AND EXCLUSIVE REMEDY SHALL BE THE REPAIR OR REPLACEMENT OF DEFECTIVE PRODUCTS AS DESCRIBED ABOVE. (2) **SFA Companies** SHALL NOT BE LIABLE FOR ANY CONSEQUENTIAL OR INCIDENTAL DAMAGE OR LOSS WHATSOEVER. (3) ANY IMPLIED WARRANTIES, INCLUDING WITHOUT LIMITATION THE IMPLIED WARRANTIES OF MERCHANTABILITY AND FITNESS FOR A PARTICULAR PURPOSE, SHALL BE LIMITED TO ONE YEAR, OTHERWISE THE REPAIR, REPLACEMENT OR REFUND AS PROVIDED UNDER THIS EXPRESS LIMITED WARRANTY IS THE EXCLUSIVE REMEDY OF THE CONSUMER, AND IS PROVIDED IN LIEU OF ALL OTHER WARRANTIES, EXPRESS OR IMPLIED. (4) ANY MODIFICATION, ALTERATION, ABUSE, UNAUTHORIZED SERVICE OR ORNAMENTAL DESIGN VOIDS THIS WARRANTY AND IS NOT COVERED BY THIS WARRANTY.

Some states do not allow limitations on how long an implied warranty lasts, so the above limitation may not apply to you. Some states do not allow the exclusion or limitation of incidental or consequential damages, so the above limitation or exclusion may not apply to you. This warranty gives you specific legal rights, and you may also have other rights, which vary from state to state.

Manuel des consignes d'utilisation et des pièces



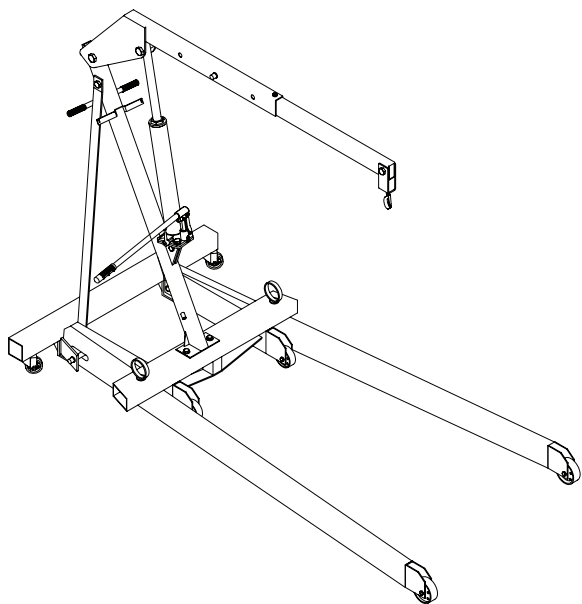
Grues de levage pour moteur

Modèles

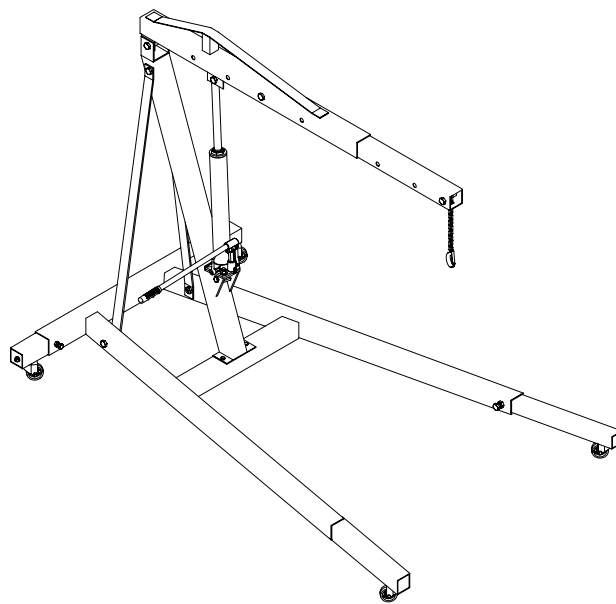
44010 (pattes pliables)
44020 (pattes rétractables)

Capacité

907 kg (1 tonne américaine)
1 814 kg (2 tonnes américaines)



Modèle 44010



Modèle 44020



Voici le symbole signalant un danger pour la sécurité. Il est utilisé pour vous alerter des dangers potentiels de blessures. Respectez tous les messages de sécurité qui suivent ce symbole afin d'éviter les blessures et la mort.



MISE EN GARDE



Pour éviter d'être écrasé et les blessures qui en résulteraient : Ne travaillez JAMAIS autour d'une charge, en dessous d'elle ou sur celle-ci, si elle est supportée seulement par un cric hydraulique. Utilisez TOUJOURS une paire de béquilles de cric dont la capacité nominale est adéquate.

SFA Companies
<http://www.omegalift.com>

Lisez ce manuel et observez toutes les consignes de sécurité et d'utilisation avant d'utiliser ce produit.

INFORMATIONS GÉNÉRALES ET INFORMATIONS RELATIVES À LA SÉCURITÉ

Conservez ces instructions. Pour votre sécurité, assurez-vous de lire, de bien comprendre et de respecter toutes les consignes fournies avec ce produit ou se trouvant sur celui-ci avant de l'utiliser. Le propriétaire, ainsi que l'utilisateur, doit comprendre le fonctionnement du produit, ses caractéristiques de fonctionnement et les consignes de sécurité associées à son utilisation avant de s'en servir. Ces personnes doivent aussi savoir que, pour utiliser ou réparer ce produit, il peut être nécessaire d'avoir des connaissances et des habiletés particulières. Avant que l'utilisation de ce produit ne soit autorisée, il faut lire, dans la langue maternelle de l'opérateur, les instructions et les informations relatives à la sécurité pour qu'il en prenne connaissance et discuter de celles-ci avec lui, de manière à s'assurer qu'il les comprend. S'il y a des doutes quant à la façon adéquate et sécuritaire de se servir du produit, il faut en cesser l'utilisation immédiatement.

Inspectez la grue avant chaque utilisation. N'utilisez pas ce produit s'il est dans un état anormal, comme lorsqu'il y a des soudures fissurées, des dommages ou des pièces manquantes ou mal fixées. Tout équipement qui semble être endommagé d'une quelconque façon, est usé ou fonctionne de manière anormale ne doit plus être utilisé jusqu'à ce qu'il soit réparé. Si le produit a été soumis ou s'il y a des raisons de croire qu'il a été soumis à une charge ou à un choc anormal, cessez de l'utiliser immédiatement jusqu'à ce qu'il soit inspecté dans un centre de réparation autorisé par le fabricant (communiquez avec le distributeur ou le fabricant pour avoir une liste des endroits autorisés). Il est recommandé qu'une inspection annuelle soit faite dans un centre autorisé. Il est possible de se procurer d'autres étiquettes et d'autres manuels auprès du fabricant.

DESCRIPTION DU PRODUIT

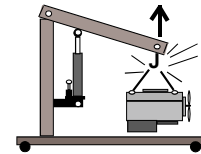
Cette grue de levage pour moteur est conçue pour enlever, installer et déplacer dans sa position la plus basse, des moteurs d'automobile ou de petits camions et des assemblages de moteur. Elle doit être utilisée avec un dispositif de mise à niveau de moteur adapté à la charge, une élingue et/ou des chaînes (non inclus). Après le retrait du moteur, transférez immédiatement la charge sur un poste de travail approprié pour la charge tel qu'un support à moteur.

⚠ MISE EN GARDE : *Ne pas utiliser cet équipement à d'autres fins que celles décrites ci-dessus.*

⚠ MISE EN GARDE

- Assurez-vous de lire, de bien comprendre et de respecter toutes les instructions avant d'utiliser ce produit.
- Ne dépassez pas la capacité nominale.
- Utilisez le produit seulement sur des surfaces dures et de niveau.
- Avant de déplacer une charge, abaissez-la le plus possible.
- N'utilisez que des chaînes et des élingues dont la capacité nominale est supérieure au poids de la charge soulevée.
- Évitez que la charge bouge ou tombe violemment pendant que vous la déplacez ou l'abaissez.
- Ne modifiez pas ce produit.
- Le non-respect des consignes peut entraîner des blessures ou des dommages matériels.

⚠ MISE EN GARDE



Pour éviter d'être écrasé et les blessures qui en résulteraient :

- Ne travaillez **JAMAIS** sur, sous ou autour d'une grue chargée.
- Faites reposer immédiatement la charge sur un support à moteur à capacité nominale adéquate.
- Soyez vigilant et sobre lorsque vous utilisez ce produit. N'utilisez jamais le chariot si vous avez consommé de l'alcool ou de la drogue.
- **NE** vous placez **PAS** vous-même ou quelqu'un d'autre au-dessus de la flèche ou dans sa trajectoire.
- N'utilisez que des boulons en acier trempé de dimensions appropriées pour fixer le moteur à la grue.
- N'utilisez que des chaînes ou des élingues dont la capacité nominale est égale ou supérieure à celle de la grue.
- Ne prolongez pas l'extension de la flèche au-delà de l'extension des pattes (modèle 44020).

SPÉCIFICATIONS

Modèle	Charge nominale	Course du vérin hydraul.	Longueur de la base	Largeur de la base (avant)	Largeur de la base (arrière)	Position de la flèche	Hauteur min. du crochet	Hauteur max. du crochet	Longueur de la flèche
44010	907 kg (1 t. amér.)	48,26 cm (19 po)	181,93 cm (71-5/8 po)	46,99 cm (18-1/2 po) 113,98 cm (44-7/8 po)	80,01 cm (31-1/2 po)	907 kg (1 t. amér.)	12,38 cm (4-7/8 po)	208,92 cm (82-1/4 po)	86,04 cm (33-7/8 po)
						680 kg (3/4 t. amér.)	8,57 cm (3-3/8 po)	215,90 cm (85 po)	100,97 cm (39-3/4 po)
						454 kg (1/2 t. amér.)	0 cm (0 po)	220,03 cm (86-5/8 po)	115,89 cm (45-5/8 po)
44020	1 814 kg (2 t. amér.)	48,26 cm (19 po)	158,43 cm (62-3/8 po) ~ 230,51 (90-3/4 po)	73,66 cm (29 po) ~ 86,04 cm (33-7/8 po)	87,95 cm (34-5/8 po) ~ 134,94 cm (53-1/8 po)	1 814 kg (2 t. amér.)	46,67 cm (18-3/8 po)	175,90 cm (69-1/4 po)	123,83 cm (48-3/4 po)
						1 360 kg (1,5 t. amér.)	35,56 cm (14 po)	191,14 cm (75-1/4 po)	146,69 cm (57-3/4 po)
						907 kg (1 t. amér.)	23,50 cm (9-1/4 po)	206,38 cm (81-1/4 po)	169,55 cm (66-3/4 po)
						453 kg (0,5 t. amér.)	12,70 cm (5 po)	219,71 cm (86-1/2 po)	194,95 cm (76-3/4 po)

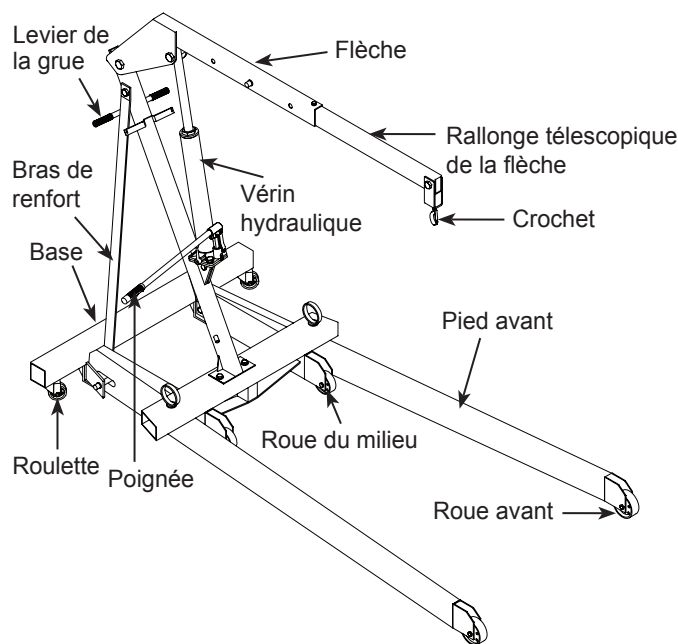


Figure 1 : Pièces du modèle 44010

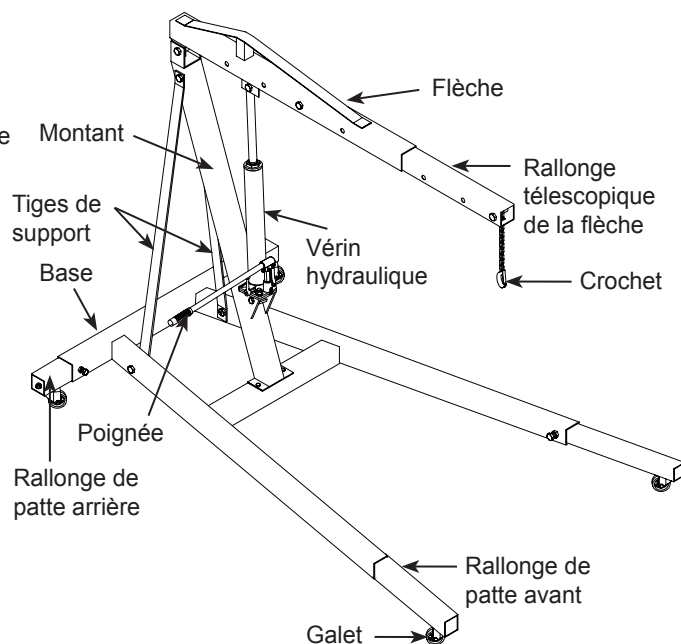


Figure 2 : Pièces du modèle 44020

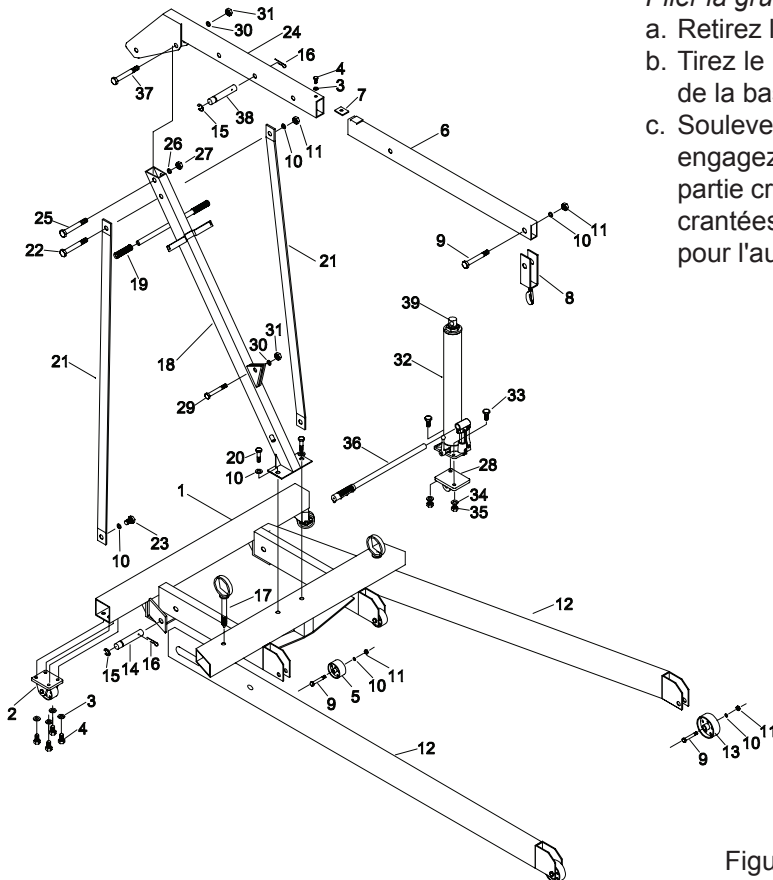
ASSEMBLAGE

Modèle 44010 :

1. Assurez-vous d'avoir toutes les pièces en votre possession (voir les figures 1 et 3). Si des pièces sont manquantes ou endommagées, contactez le service à la clientèle.
2. Fixez les roulettes (2) à la base (1) à l'aide de boulons M8 x 16 et de rondelles (4 et 3), puis fixez les roues de 8,89 cm (3-1/2 po) (5) à l'aide de boulons, de rondelles et d'écrous (9, 10 et 11).
3. Fixez les roues de 12,7 cm (5 po) (13) aux pieds avant (12) à l'aide de boulons, de rondelles et d'écrous (9, 10 et 11).
4. Fixez les deux pieds avant (12) à la base (1) à l'aide d'une goupille, d'une attache en « E », d'une goupille fendue et d'un boulon de blocage (14, 15, 16 et 17).
5. Fixez la colonne (18) à la base (1) à l'aide de deux boulons et écrous (20 et 10). La colonne doit pencher vers l'arrière de la base comme illustré. Serrez les écrous à la main.
6. Fixez deux tiges de renfort (21) à la colonne (18) à l'aide de boulons, de rondelles et d'écrous (22, 10 et 11). Serrez les écrous à la main.
7. Fixez la partie inférieure des tiges de renfort (21) à l'intérieur de la base (1) à l'aide de deux boulons et écrous (23 et 10).
8. Serrez tous les boulons de la colonne (18) à la base (1), aux tiges de renfort (21) à la colonne (18) et tiges de renfort (21) à la base (1).
9. Fixez le piston hydraulique (32) au support de montage (28) à l'aide de boulons, de rondelles et d'écrous (33, 34 et 35). La douille de la poignée du vérin hydraulique doit être orientée vers l'avant du cadre de la base comme illustré. Placez ensuite l'assemblage entre les pattes de montage sur la colonne (18) et fixez-le à l'aide d'un boulon, d'une rondelle et d'un écrou (29, 30 et 31). Serrez l'écrou. Appuyez l'assemblage du vérin hydraulique contre la colonne.
10. Raccordez la flèche (24) à la colonne à l'aide d'un boulon, d'une rondelle et d'un écrou (25, 26 et 27).
11. Tenez la flèche (24) et faites pivoter le vérin hydraulique (32) de façon à l'éloigner de la colonne. Fixez le vérin hydraulique (39) à la flèche à l'aide d'un boulon, d'une rondelle et d'un écrou (37, 30 et 31). Serrez l'écrou.
12. Faites glisser la rallonge de la flèche (6) à l'intérieur de la flèche et fixez-la en position rétractée à l'aide d'une goupille, d'une attache en « E » et d'une goupille fendue (38, 15 et 16). Trois positions sont possibles : position 454 kg, 689 kg et 907 kg (1/2 tonne américaine, 3/4 tonne américaine et 1 tonne américaine).
13. Faites glisser une rondelle à section carrée (7) dans la flèche et fixez-la à l'aide d'un boulon et d'une rondelle (4 et 3).
14. Raccordez la flèche (8) à la colonne à l'aide d'un boulon, d'une rondelle et d'un écrou (9, 10 et 11). Resserrez toutes les fixations.

Plier la grue pour le rangement :

- a. Retirez la goupille (17).
- b. Tirez le pied vers l'avant et placez-le sur le côté, à l'écart de la base.
- c. Soulevez le pied jusqu'à ce qu'il soit près de la verticale, engagez la partie de la colonne munie d'un cran dans la partie crantée du pied. Assurez-vous que les deux parties crantées sont enclenchées. Suivez la même procédure pour l'autre pied.



Article	Éléments de la quincaillerie		Qté
3	Rondelle de blocage	M8	9
4	Boulon	M8 x 16	9
7	Rondelle	M8	1
9	Boulon	M12 x 65	5
10	Rondelle de blocage	M12	10
11	Écrou	M12	6
20	Boulon	M12 x 70	2
22	Boulon	M12 x 90	1
23	Boulon	M12 x 30	2
25	Boulon	M20 x 100	1
26	Rondelle de blocage	M20	1
27	Écrou	M20	1
29	Boulon	M16 x 70	1
30	Rondelle de blocage	M16	2
31	Écrou	M16	2
33	Boulon	M10 x 30	2
34	Rondelle de blocage	M10	2
35	Écrou	M10	2
37	Boulon	M16 x 90	1

Figure 3 : Illustration d'assemblage du modèle 44010

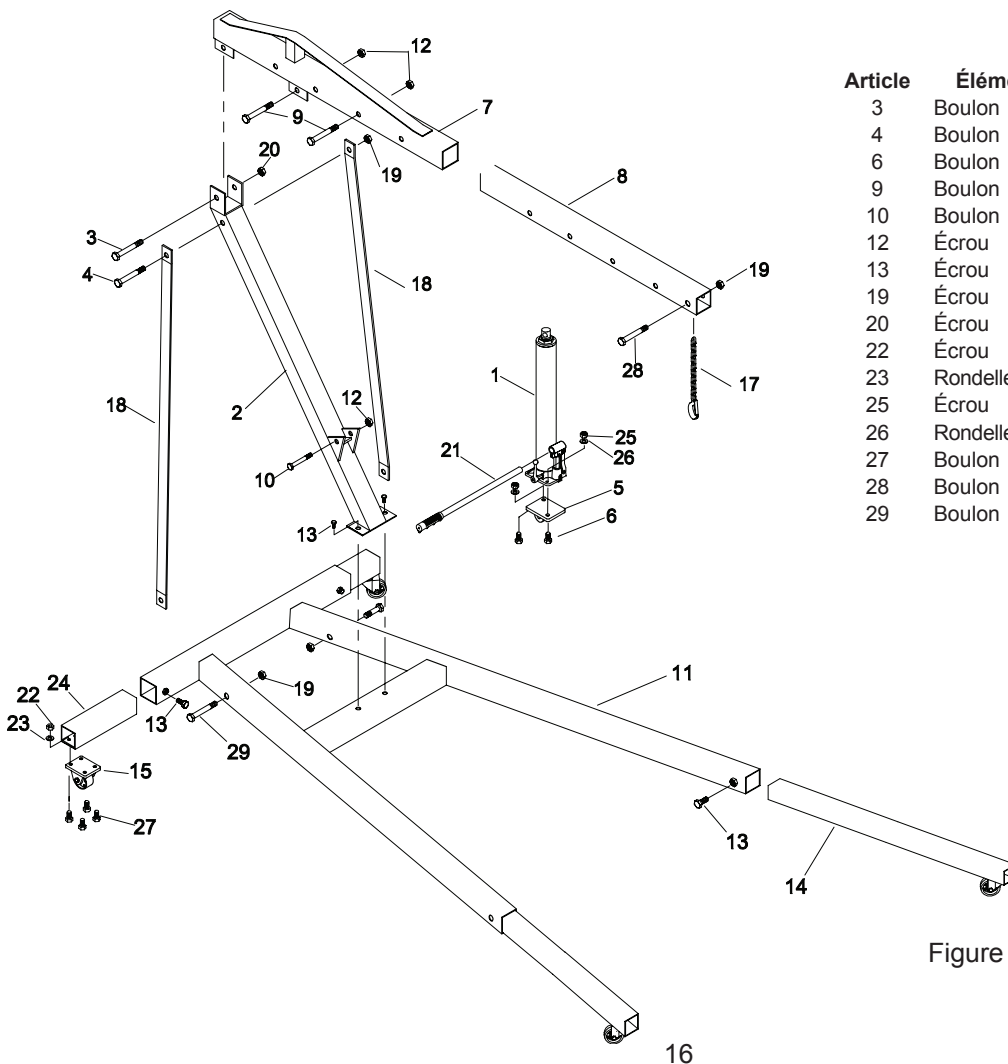
ASSEMBLAGE

Modèle 44020 :

1. Assurez-vous d'avoir toutes les pièces en votre possession (voir les figures 2 et 4). Si des pièces sont manquantes ou endommagées, contactez le service à la clientèle.
2. Fixez les roulettes pivotantes (15) aux rallonges de pieds arrière (24) à l'aide de boulons, de rondelles et d'écrous (27, 23 et 22).
3. Faites glisser les rallonges de pieds avant (14) et arrière (24) dans la base (11) et fixez-les à l'aide de boulons (13) dans la base. Serrez les boulons.

AVIS : N'allongez jamais les rallonges des pieds au-delà des marques gravées en usine. Ajustez chacune des rallonges de pieds à une égale distance de la base.

4. Placez la colonne (2) sur la base (11) et fixez-la à l'aide de boulons (13). Serrez les boulons à la main.
5. Fixez les bras de renfort (18) de chaque côté supérieur de la colonne à l'aide de boulons et d'écrous (4 et 19). Fixez la partie inférieure des bras de renfort dans la base à l'aide de boulons et d'écrous (29 et 19).
6. Fixez le bras de renfort (5) au piston hydraulique (1) à l'aide de boulons, de rondelles et d'écrous (6, 25 et 26). Ensuite, fixez l'assemblage aux pattes de montage de la colonne à l'aide d'un boulon et d'un écrou (10 et 12).
7. Fixez la flèche (7) au-dessus de la colonne (2) à l'aide d'un boulon et d'un écrou (3 et 20). Actionnez la pompe hydraulique à l'aide du levier (21) jusqu'à ce que le vérin soit sorti d'environ 5 cm (2 po). Mettez la ferrure de montage avant sur la flèche, sur le dessus du vérin, et fixez-la à l'aide d'un boulon et d'un écrou (9 et 12).
8. Faites glisser la rallonge de la flèche (8) à l'intérieur de la flèche (7) en vous assurant que la fente pour la chaîne pointe vers le sol et fixez-la à l'aide d'un boulon et d'un écrou (9 et 12) dans le trou approprié pour la tâche à accomplir. Quatre positions sont possibles : 454 kg, 907 kg, 1 361 kg et 1 814 kg (1/2, 1, 1-1/2 et 2 tonnes américaines).
9. Faites glisser la chaîne et le crochet (17) dans la fente avant inférieure de la rallonge de la flèche (8) et fixez-les à l'aide d'un boulon et d'un écrou (28 et 19) tel qu'illustré. Resserrez toutes les fixations.



Article	Éléments de la quincaillerie		Qté
3	Boulon	M20 x 120	1
4	Boulon	M12 x 100	1
6	Boulon	M10 x 30	2
9	Boulon	M16 x 90	2
10	Boulon	M16 x 75	1
12	Écrou	M16	3
13	Écrou	M12 x 25	6
19	Écrou	M12	4
20	Écrou	M20	1
22	Écrou	M8	16
23	Rondelle de blocage	M8	16
25	Écrou	M10	2
26	Rondelle de blocage	M10	2
27	Boulon	M8 x 16	16
28	Boulon	M12 x 75	1
29	Boulon	M12 x 90	2

Figure 4 : Illustration d'assemblage du modèle 44020

AVANT L'UTILISATION

1. Vérifiez que le produit et son utilisation sont compatibles. Si vous avez des doutes, appelez le service de soutien technique des produits Omega au 1 888 332-6419.
2. Avant d'utiliser ce produit, lisez le manuel d'utilisation au complet et familiarisez-vous parfaitement avec le produit et ses composants, et identifiez les dangers potentiels associés à son utilisation.
3. Pour vous familiariser avec le fonctionnement de base du cric, tournez le levier de la valve de purge :
 - a. Dans le sens *horaire* jusqu'à ce que vous sentiez une forte résistance au mouvement. C'est la position « **FERMÉE** » de la valve de purge utilisée pour soulever le vérin à piston plongeur.
 - b. *Dans le sens antihoraire*, mais pas plus de 2 tours à partir de la position fermée. C'est la position « **OUVERTE** » de la valve de purge utilisée pour abaisser le vérin à piston plongeur.

⚠ MISE EN GARDE : Avant d'abaisser la charge, assurez-vous qu'il n'y a aucun outil ni aucune personne en dessous de celle-ci. Ouvrez la valve de purge lentement. Plus le levier est tourné dans le sens antihoraire, plus la charge descend rapidement. Gardez le contrôle de la charge en tout temps.

4. Enlevez le vérin hydraulique et placez-le tel qu'illustré à la figure 5.
5. Lorsque le vérin à piston plongeur est complètement rentré, trouvez et enlevez le bouchon de remplissage d'huile. Insérez le levier dans la douille de la poignée, puis abaissez et levez le levier de six à huit fois. Cela va faciliter la libération de tout air pressurisé pouvant être emprisonné dans le réservoir. Assurez-vous que le niveau d'huile se situe juste en dessous du trou de remplissage d'huile. Remettez le bouchon.
6. Réinstallez le vérin hydraulique.
7. Vérifiez que la grue se déplace librement et que le vérin et la valve de purge fonctionnent en douceur. Soulevez et abaissez le mécanisme de levage, sans charge, sur toute la plage de levage avant de l'utiliser. Remplacez les pièces et les assemblages usés ou endommagés seulement par des pièces de rechange autorisées.

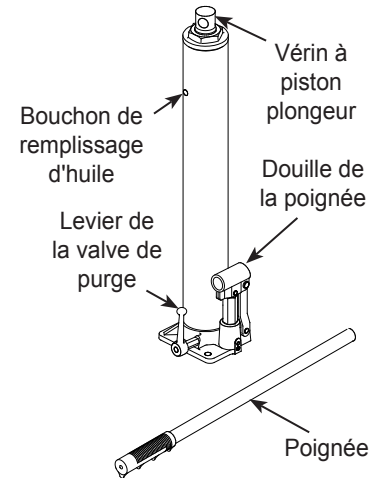


Figure 5 : Assemblage du vérin hydraulique

FONCTIONNEMENT

⚠ MISE EN GARDE : Cette grue pour moteur ne doit être utilisée que pour soulever, descendre et déplacer dans la position la plus basse possible des moteurs d'automobile ou de camions légers. Elle NE DOIT PAS être utilisée comme poste de travail.

Pour le modèle 44020 :

La grue offre une flèche de longueur ajustable et des rallonges de pieds à longueur et largeur ajustables. Allongez les deux pieds arrière à une égale largeur. Il est conseillé d'allonger les deux pieds arrière à leur distance maximale en respectant les repères de limite situés sur chacun des pieds. Les deux rallonges des pieds avant doivent être placées de façon à correspondre aux repères de capacité situés sur la flèche. Les pieds arrière et avant doivent être verrouillés à l'aide des mécanismes de blocage situés sur le tube de chacun des pieds. Ne les serrez pas trop.

⚠ MISE EN GARDE : Les pieds avant doivent être allongés d'une longueur égale et de façon à correspondre aux repères de capacité nominale situés sur la flèche. N'utilisez jamais la grue avec la flèche et les rallonges de pieds positionnées pour des capacités différentes (voir figure 6).

Pour tous les modèles :

Reportez-vous toujours au manuel d'entretien du véhicule et/ou au manuel de l'atelier de réparation pour connaître la position des points de levage du moteur et les procédures de dépose. L'installation et le retrait de chaque moteur requièrent des outils, procédures et niveau d'expertise différents.

⚠ MISE EN GARDE : Utilisez le cric seulement au point de levage indiqué par le fabricant du véhicule.

⚠ MISE EN GARDE : Ne chargez jamais la grue avec un moteur dont les dimensions vont au-delà de la ligne imaginaire reliant les lignes centrales des axes des roues/roulettes avant et arrière tel qu'illustré à la figure 6.

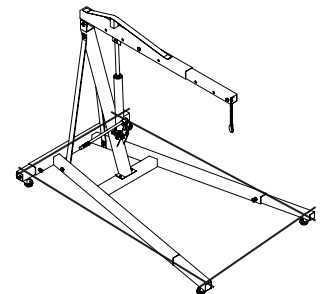


Figure 6

1. Assurez-vous que la charge ne dépasse pas la capacité nominale de la position de la flèche et des pieds que vous avez choisis.
2. Fixez adéquatement le dispositif de mise à niveau du moteur, la chaîne ou l'élingue (vendus séparément) aux points de levage du moteur recommandés par le fabricant du véhicule.
3. Fixez de façon sécuritaire le crochet de la grue au dispositif de mise à niveau, à la chaîne ou à l'élingue.
4. Reportez-vous toujours au manuel d'entretien du véhicule et/ou au manuel de l'atelier de réparation pour connaître la position des points de levage du moteur et les procédures de dépose. L'installation et le retrait de chaque moteur requièrent des outils, procédures et niveau d'expertise différents.
5. Lorsque vous êtes prêt à retirer le moteur, tournez la valve de purge dans le sens horaire jusqu'à ce qu'elle soit bien fermée. Actionnez le levier de la pompe jusqu'à ce que la charge soit suffisamment élevée pour pouvoir être sortie du véhicule. Avant de déplacer le moteur, assurez-vous que la charge :
 - a. est à la position la plus basse possible et toujours sous le centre de gravité.
 - b. qu'elle ne peut se balancer ni se déplacer accidentellement.

⚠ MISE EN GARDE : *Ne placez jamais une partie de votre corps sous une charge supportée par la grue. Utilisez la grue sur une surface dure, lisse et de niveau. Avant de déplacer la grue, abaissez la flèche le plus bas possible, tout en vous assurant que vous pourrez déplacer la grue!*

6. Enlevez le moteur, puis transférez-le immédiatement sur un dispositif de support approprié (support de moteur). Tournez le levier de la valve de purge dans le sens antihoraire pour abaisser la charge, mais jamais de plus de 2 tours complets. **Contrôlez en tout temps** la vitesse de descente de la charge. Plus vous ouvrez la valve de purge, plus vite descend la charge.
7. Assurez-vous que le véhicule est bien immobilisé avant de travailler sur, autour ou en dessous de celui-ci.

ENTRETIEN

Inspectez périodiquement la grue et les fixations. Ne remplacez les pièces usées ou endommagées que par des pièces de rechange du fabricant. Assurez-vous que les roulettes, les roues, la rallonge de la flèche, les rallonges des pieds (le cas échéant) et la pompe peuvent bouger librement.

AVIS : *Utilisez seulement de l'huile pour cric hydraulique de bonne qualité. Évitez de mélanger différents types de liquides et N'UTILISEZ JAMAIS de liquide pour frein, d'huile de turbine, de liquide de transmission, d'huile moteur ou de glycérine. L'utilisation d'un liquide inapproprié peut entraîner une défaillance prématurée du cric et causer une chute potentielle soudaine et immédiate de charge. Il est recommandé d'utiliser de l'huile pour cric hydraulique de première qualité.*

Ajouter de l'huile dans le vérin hydraulique

1. Retirez le vérin hydraulique de la grue.
2. Lorsque le vérin est à son niveau minimal et que le piston du levier est enfoncé au maximum, mettez le vérin hydraulique en position debout et à niveau. Enlevez le bouchon de remplissage d'huile.
3. Mettez de l'huile jusqu'à ce que son niveau soit juste en dessous du rebord du trou de remplissage d'huile. Remettez le bouchon.

Changer l'huile du vérin hydraulique

Pour un rendement maximal et une durée de vie optimale de cet équipement, remplacez complètement l'huile du vérin une fois par année.

1. Retirez le vérin hydraulique de la grue.
2. Lorsque le point d'appui est à son niveau minimal et que le piston du levier est enfoncé au maximum, enlevez le bouchon de remplissage d'huile.
3. Posez le vérin hydraulique sur le côté et purgez l'huile en l'envoyant dans un contenant adéquat.

AVIS : *Jetez le liquide hydraulique en respectant la réglementation environnementale locale.*

4. Mettez le vérin hydraulique en position debout et à niveau. Mettez de l'huile jusqu'à ce que son niveau soit juste en dessous du rebord de l'orifice de remplissage d'huile. Remettez le bouchon.

Lubrification

Si de la rouille apparaît, sablez la partie où elle se trouve et couvrez-la avec une peinture adéquate. Une lubrification périodique des points de pivotement, des axes et des charnières faite avec de l'huile légère aide à prévenir la rouille et à assurer que les roues, les roulettes et les assemblages du levier bougent librement.

Nettoyage

Inspectez périodiquement le piston du levier et le vérin à piston plongeur pour voir s'il y a de la rouille ou de la corrosion. Nettoyez selon les besoins et essuyez avec un linge huileux.

AVIS : *N'utilisez jamais de papier sablé ni de matériau abrasif sur le piston du levier et le vérin à piston plongeur.*

ENTRETIEN (suite)

Rangement

Avant de ranger la grue, mettez le piston, le vérin et la flèche à leur niveau minimal. Ouvrez la valve de purge, mais sans faire plus de 2 tours complets du levier. Cela aidera à prévenir la rouille et la corrosion sur les surfaces importantes du vérin hydraulique.

DÉPANNAGE

Problème	Causes possibles	Mesure corrective
La grue ne soulève pas la charge	<ul style="list-style-type: none">• La valve de purge n'est pas bien fermée• Surcharge	<ul style="list-style-type: none">• Assurez-vous que la valve est bien fermée• Remédiez au problème de surcharge.
La grue soulève la charge, mais ne maintient pas la pression	<ul style="list-style-type: none">• La valve de purge n'est pas bien fermée• Défaillance du vérin hydraulique	<ul style="list-style-type: none">• Assurez-vous que la valve est bien fermée.• Communiquez avec le soutien technique d'Omega.
La grue ne descend pas après avoir enlevé la charge	<ul style="list-style-type: none">• Trop de liquide hydraulique dans le réservoir	<ul style="list-style-type: none">• Assurez-vous que la charge est enlevée, puis purgez le liquide hydraulique pour qu'il soit au bon niveau.
Performance de levage médiocre	<ul style="list-style-type: none">• Niveau de liquide bas• Air emprisonné dans le vérin	<ul style="list-style-type: none">• Assurez-vous que le niveau de liquide est adéquat.• Avec le vérin complètement rétracté, retirez le bouchon de remplissage d'huile pour vider l'excès d'air sous pression. Remettez le bouchon.
Le point d'appui ne s'élève pas au maximum	<ul style="list-style-type: none">• Niveau de liquide bas	<ul style="list-style-type: none">• Assurez-vous que le niveau de liquide est adéquat.

PIÈCES DE RECHANGE

Ce ne sont pas toutes les pièces de la grue qui peuvent être remplacées, mais elles sont illustrées pour montrer leur emplacement ainsi que leur position pour l'assemblage. Lorsque vous commandez des pièces, veuillez fournir le numéro du modèle du cric et la description de la pièce. Pour connaître les prix actuels, appelez-nous ou écrivez-nous : SFA Companies 10939 N. Pomona Ave. Kansas City, MO 64153, É.-U., Courriel : sales@omegalift.com, Tél. : 1 888 332-6419 Téléc. : 1 816 891-6599, site Web : <http://www.omegalift.com>.

Modèle 44010

Article	N° de pièce	Description	Qté
1	BL80-10000-000	Vérin hydraulique	1
2	5905-00100-100	Bouchon de remplissage d'huile	1
3	BL80-20000-000	Levier de la pompe	1
4	T473-00005-000	Ferrure du vérin hydraulique	1
5	T474-07000-000	Assemblage du crochet	1

Article	N° de pièce	Description	Qté
6	T474-00003-000	Roue avant, 12,7 cm (5 po)	2
7	T474-00002-000	Roue du milieu, 8,9 cm (3-1/2 po)	2
8	T474-04000-000	Roulette, 8,9 cm (3-1/2 po)	2
9	T474-03000-000	Goupille de sécurité	2
10	T474-00001-000	Tiges de support	2
11	T474-08000-000	Rallonge télescopique de la flèche	4
-	T474-09000-000	Trousse de quincaillerie	-
-	BL800S-034	Trousse de joints, vérin hydraulique	-
-	44010-L0	Étiquette	-
-	44010-M0	Manuel	-

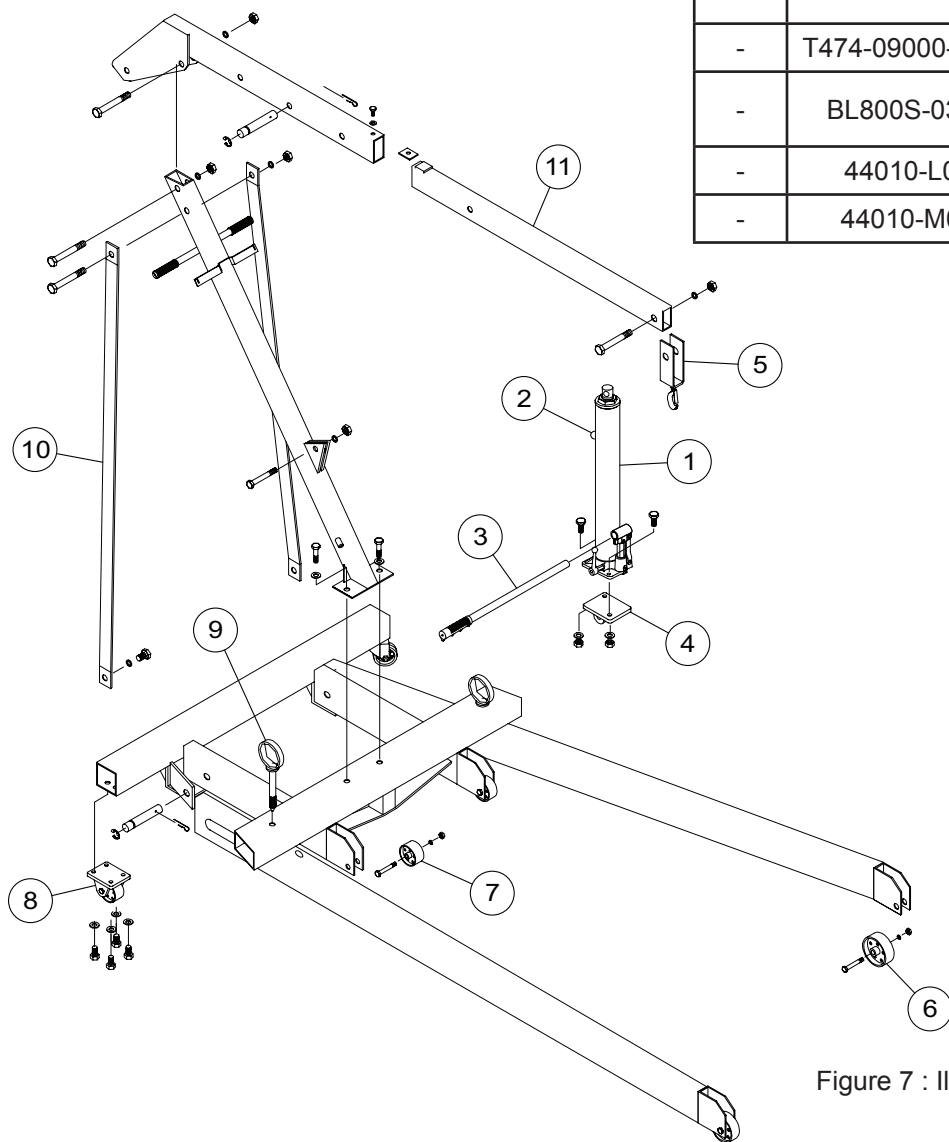


Figure 7 : Illustration des pièces de rechange du modèle 44010

Modèle 44020

Article	N° de pièce	Description	Qté
1	BL80-10000-000	Vérin hydraulique	1
2	5905-00100-100	Bouchon de remplissage d'huile	1
3	BL80-20000-000	Levier de la pompe	1
4	T473-00005-000	Ferrure du vérin hydraulique	1
5	T473-05000-000	Assemblage du crochet	1
6	T473-04000-000	Roulette, 8,89 cm (3-1/2 po)	4

Article	N° de pièce	Description	Qté
7	T473-00001-000	Tiges de support	2
8	T473-00003-000	Rallonge télescopique de la flèche	1
9	T473-00004-100	Rallonge de pied avant	2
10	T473-00002-100	Rallonge de pied arrière	2
-	T473-06000-000	Trousse de quincaillerie	-
-	BL800S-034	Trousse de joints, vérin hydraulique	-
-	44020-L0	Étiquette	-
-	44010-M0	Manuel	-

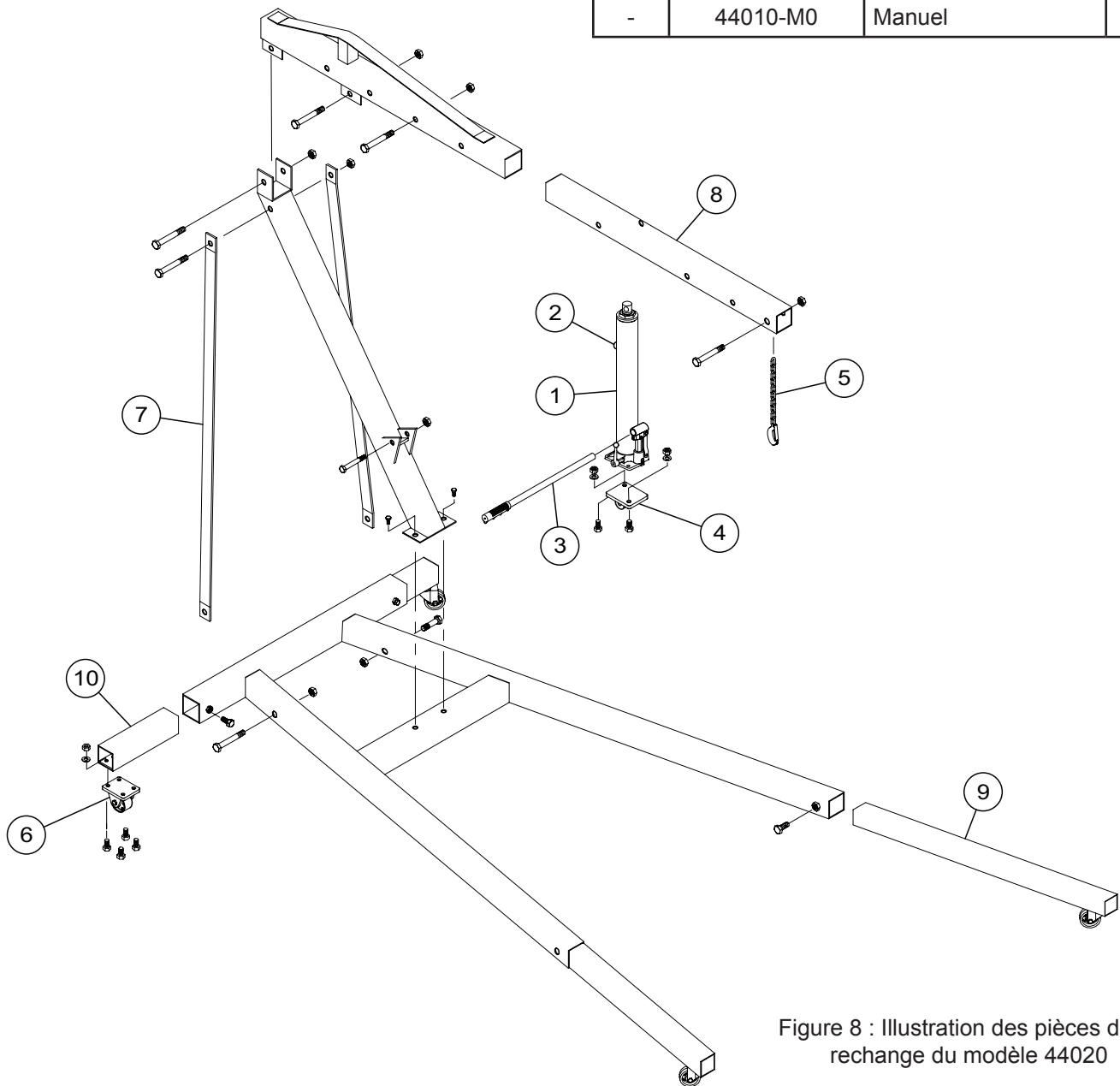


Figure 8 : Illustration des pièces de rechange du modèle 44020

GARANTIE LIMITÉE DE 1 AN

Pendant une période d'un (1) an, à partir de la date d'achat, **SFA Companies** réparera ou remplacera, à sa discrétion, sans frais, tous ses produits qui, utilisés dans des conditions normales, sont défectueux à cause d'un défaut de matériel ou de fabrication. Cette garantie limitée est le seul recours du consommateur.

Pour bénéficier du service offert par la garantie, il faut retourner le produit couvert par celle-ci, port payé, à **SFA Companies** Warranty Service Department, 10939 N. Pomona Ave., Kansas City, MO 64153, États-Unis.

Sauf dans les cas où les limitations et les exclusions décrites dans ce paragraphe sont spécifiquement interdites par la loi : (1) LE SEUL RECOURS DU CONSOMMATEUR EST DE FAIRE RÉPARER OU REMPLACER LES PRODUITS DÉFECTUEUX COMME DÉCRIT CI-DESSUS; (2) **SFA Companies** NE SERA PAS TENUE RESPONSABLE DES DOMMAGES CONSÉCUTIFS OU INDIRECTS OU DE PERTES QUELCONQUES; (3) TOUTE GARANTIE IMPLICITE, CE QUI INCLUT SANS LIMITATION LES GARANTIES IMPLICITES DE COMMERCIALITÉ ET D'ADAPTATION À UN USAGE PARTICULIER, SERA LIMITÉE À UN AN, À DÉFAUT DE QUOI LA RÉPARATION, LE REMPLACEMENT OU LE REMBOURSEMENT, SELON CETTE GARANTIE EXPRESSE LIMITÉE, CONSTITUE LE SEUL RECOURS DU CLIENT, ET REMPLACE TOUTE AUTRE GARANTIE, IMPLICITE OU EXPRESSE; (4) TOUTE MODIFICATION, ALTÉRATION, UTILISATION ABUSIVE OU NON AUTORISÉE OU DÉCORATION ORNEMENTALE ANNULE CETTE GARANTIE ET N'EST PAS COUVERTE PAR CELLE-CI.

Certaines provinces et certains États ne permettent pas de limiter la durée d'une garantie implicite et il est donc possible que la limitation décrite ci-dessus ne s'applique pas. Certaines provinces et certains États ne permettent pas d'exclure ou de limiter les dommages consécutifs ou indirects et il est donc possible que la limitation ou l'exclusion mentionnée ci-dessus ne s'applique pas. Cette garantie vous confère des droits particuliers et il est aussi possible que vous puissiez jouir d'autres droits qui varient d'une province à l'autre et d'un État à l'autre.



SFA Companies
10939 N. Pomona Ave. Kansas City, MO 64153, É.-U.
Tél. : 1 888 332-6419 Téléc. : 1 816 891-6599
Courriel : sales@omegalift.com
Site Web Omega : <http://www.omegalift.com>

Manual de piezas e instrucciones de funcionamiento



Grúas de motor

Modelo

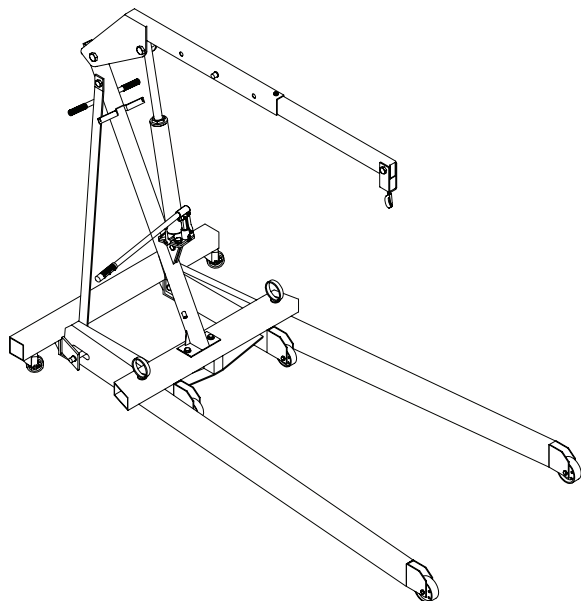
44010 (patas plegables)

44020 (patas retráctiles)

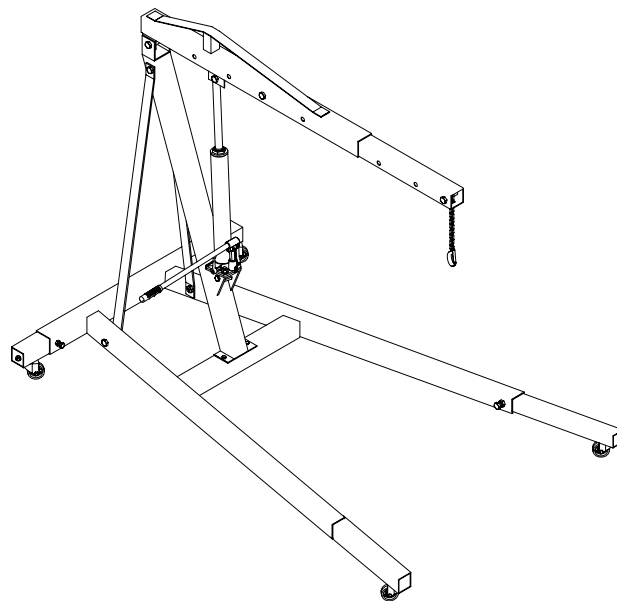
Capacidad

1 tonelada (2 240 libras)

2 toneladas (4 480 libras)



Modelo 44010



Modelo 44020



Este es el símbolo de alerta de seguridad. Se usa para alertar sobre peligros potenciales de lesiones personales.

Obedezca todos los mensajes de seguridad que tengan este símbolo, para evitar posibles lesiones personales o la muerte.



ADVERTENCIA



*Para evitar lesiones por opresión y otras lesiones:
NUNCA trabaje sobre, debajo o alrededor de una carga que solamente esté apoyada en un gato hidráulico.
SIEMPRE use un par de soportes para gato de capacidad nominal adecuada.*

SFA Companies

<http://www.omegalift.com>

Lea este manual y respete todas las reglas de seguridad y las instrucciones de funcionamiento antes de usar este producto.

INFORMACIÓN GENERAL Y DE SEGURIDAD

Conserve estas instrucciones. Para su seguridad, lea, comprenda y siga la información que viene con este dispositivo antes de su uso. El propietario u operador debe tener conocimientos sobre el dispositivo, sus características operativas y las instrucciones para un funcionamiento seguro antes de utilizar el equipo. El propietario u operador debe tener presente que el uso y la reparación de este producto podrían requerir habilidades y conocimientos especiales. Es preciso leer y analizar las instrucciones y la información de seguridad con el operador, en su lengua materna, a fin de asegurarse de que el operador comprenda su contenido antes de recibir autorización para el uso de este equipo. Si tiene dudas sobre el uso seguro y adecuado de este dispositivo, proceda a sacarlo de servicio de inmediato.

Inspeccione el dispositivo antes de cada uso. No use el dispositivo si presenta anomalías, como grietas en la soldadura, o piezas dañadas, flojas o faltantes. Debe sacar de servicio todo equipo que presente daños, de la naturaleza que fueren, esté gastado o funcione mal hasta su reparación. Si tiene la sospecha o la certeza de que el equipo fue sometido a una carga o sufrió un impacto anormal, interrumpa el uso de inmediato hasta que sea controlado por un centro de reparación autorizado por la fábrica (comuníquese con el distribuidor o fabricante para obtener una lista de los centros de reparación autorizados). Se recomienda realizar una inspección anual a cargo de un centro de reparaciones autorizado. Las etiquetas y los manuales del operador están disponibles por parte del fabricante.

DESCRIPCIÓN DEL PRODUCTO

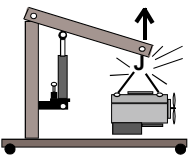

Esta grúa de motor está diseñada para usarse para extraer, instalar y transportar en la posición más baja, motores y conjuntos de motores de automotores y camiones livianos de capacidad nominal. Debe utilizarse con el nivelador, el anillo de sellado o las cadenas de motor con capacidad nominal adecuada, los cuales **NO ESTÁN INCLUIDOS**. Después de la extracción, transfiera inmediatamente la carga a una estación de trabajo con capacidad nominal adecuada tal como un soporte de motor.

⚠ ADVERTENCIA: no utilice este dispositivo para ningún otro fin que no sea aquel que se describe anteriormente.

⚠ ADVERTENCIA

- *Estudie, comprenda y siga todas las instrucciones antes de poner en funcionamiento este dispositivo.*
- *No exceda la capacidad nominal.*
- *Utilícelo únicamente sobre superficies duras y uniformes.*
- *Antes de mover el dispositivo, haga descender la carga hasta el punto más bajo posible.*
- *Use solo eslingas o cadenas de mayor capacidad nominal que el peso de la carga elevada.*
- *No permita que la carga oscile o caiga violentamente mientras la esté moviendo o bajando.*
- *No deben hacerse modificaciones a este producto.*
- *Si no se respetan estas indicaciones, podrían producirse lesiones personales o daños a la propiedad.*

⚠ ADVERTENCIA



Para evitar lesiones por opresión y otras lesiones:

- *NUNCA trabaje sobre, debajo o alrededor de una grúa cargada.*
- *Transfiera de inmediato la carga a un soporte para motor de capacidad nominal adecuada.*
- *Cuando utilice este equipo, procure estar atento y sobrio. Nunca use este equipo si está bajo los efectos de drogas o bebidas alcohólicas.*
- *NO se coloque usted ni ninguna otra persona sobre la pluma cargada o en su línea de recorrido.*
- *Use únicamente sujetadores endurecidos, del tamaño adecuado para asegurar el motor a la grúa.*
- *Utilice únicamente cadenas y eslingas que tengan una capacidad nominal igual o superior a la de la grúa.*
- *Nunca extienda la extensión de la pluma más allá de la extensión de la pata (Modelo 44020).*

ESPECIFICACIONES

Modelo	Capacidad nominal	Recorrido hidráulico del ariete	Longitud de la base	Ancho de la base (parte delantera)	Ancho de la base (parte trasera)	Posición de la pluma	Altura mín. del gancho	Altura máx. del gancho	Largo de la pluma
44010	1 ton. (2 240 lib.)	19" (48,26 cm)	71-5/8" (181,93 cm)	18-1/2" (46,99 cm) ~ 44-7/8" (113,98 cm)	31-1/2" (80,01 cm)	1 ton. (2 240 lib.)	4-7/8" (12,38 cm)	82-1/4" (208,92 cm)	33-7/8" (86,04 cm)
						3/4 ton. (1680 lib.)	3-3/8" (8,57 cm)	85" (215,90 cm)	39-3/4" (100,97 cm)
						1/2 ton. (1120 lib.)	0" (0 cm)	86-5/8" (220,03 cm)	45-5/8" (115,89 cm)
44020	2 ton. (4 480 lib.)	19" (48,26 cm)	62-3/8" (158,43 cm) ~ 90-3/4" (230,51 cm)	29" (73,66 cm) ~ 33-7/8" (86,04 cm)	34-5/8" (87,95 cm) ~ 53-1/8" (134,94 cm)	2 ton. (4 480 lib.)	18-3/8" (46,67 cm)	69-1/4" (175,90 cm)	48-3/4" (123,83 cm)
						1-1/2 ton. (3360 lib.)	14" (35,56 cm)	75-1/4" (191,14 cm)	57-3/4" (146,69 cm)
						1 ton. (2 240 lib.)	9-1/4" (23,50 cm)	81-1/4" (206,38 cm)	66-3/4" (169,55 cm)
						1/2 ton. (1120 lib.)	5" (12,70 cm)	86-1/2" (219,71 cm)	76-3/4" (194,95 cm)

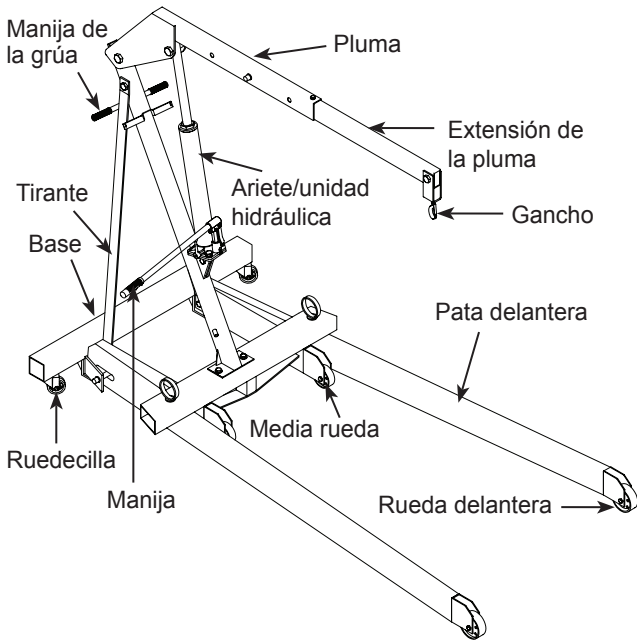


Figura 1: Nomenclatura del modelo 44010

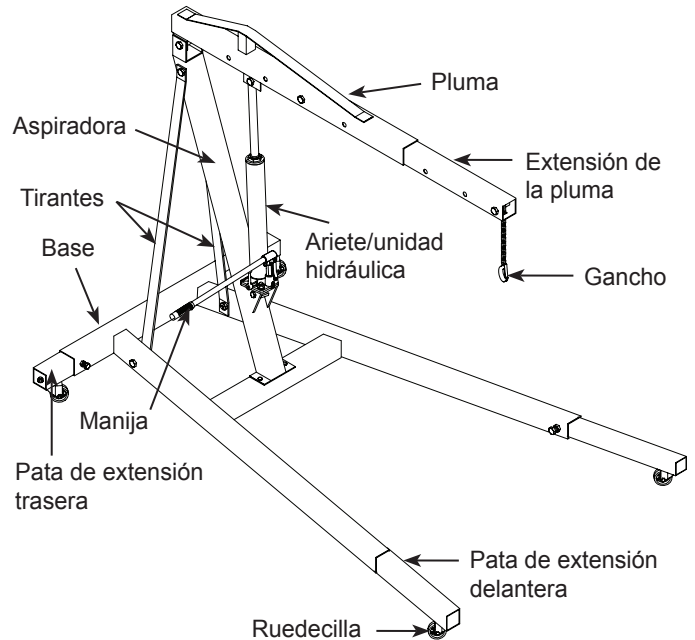


Figura 2: Nomenclatura del modelo 44020

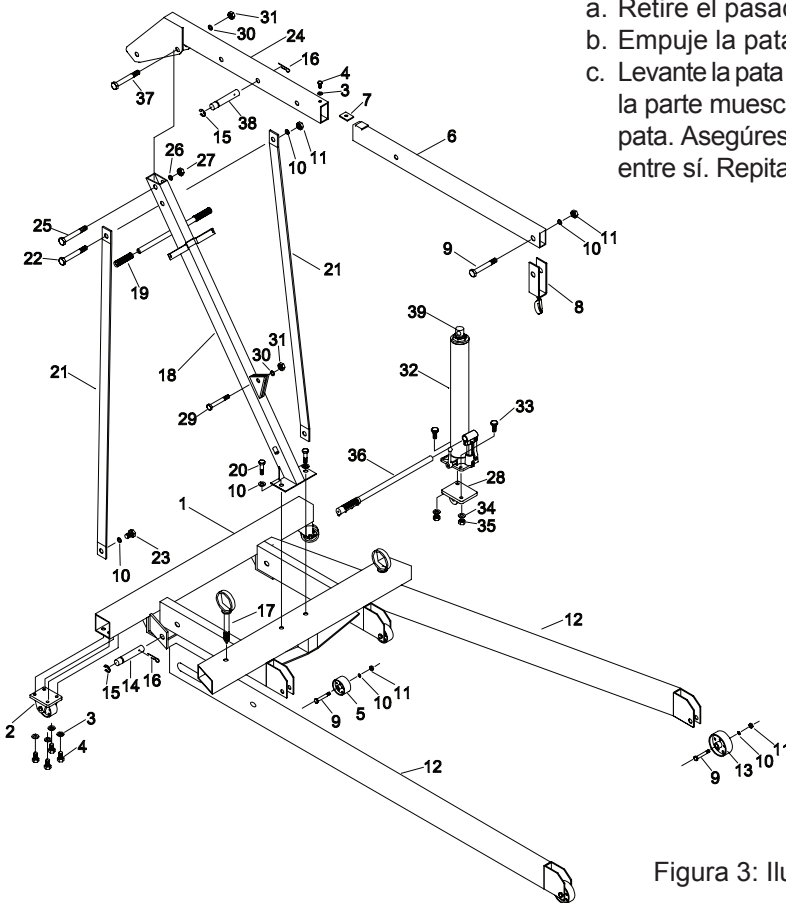
ENSAMBLAJE

Modelo 44010:

1. Asegúrese de que todas las piezas estén presentes (*ref. Fig. 1 y 3*). Si falta alguna pieza o si está dañada, comuníquese con el servicio de atención al cliente.
2. Acople la ruedecilla (2) a la base (1) con pernos M8x16 y arandelas (4 & 3), luego acople las ruedas de 3-1/2" (8,89 cm) (5) con pernos, arandelas y tuercas (9, 10 y 11).
3. Instale las ruedas de 5" (12,7 cm) (13) a las patas delanteras (12) con pernos, arandelas y tuercas (9, 10 y 11).
4. Acople las dos patas delanteras (12) a la base (1) con el pasador, el sujetador "E", el pasador de gancho y el perno de bloqueo (14, 15, 16 y 17).
5. Instale la base del eje (18) a la base (1) con dos pernos y tuercas (20 y 10). La base del eje debe inclinarse hacia la parte trasera de la base, como se muestra. Ajuste las tuercas a mano.
6. Acople dos tirantes (21) a la base del eje (18) con pernos, arandelas y tuercas (22, 10 y 11). Ajuste las tuercas a mano.
7. Acople la parte inferior de los tirantes (21) al interior de la base (1) con dos pernos y tuercas cada uno (23 y 10).
8. apriete todos los pernos de la base del eje (18) a la base (1), los tirantes (21) a la base del eje (18) y los tirantes (21) a la base (1).
9. Acople la unidad hidráulica (32) al soporte de instalación (28) con pernos, arandelas y tuercas (33, 34 y 35). *El casquillo de la manija de la unidad hidráulica debe mirar hacia el frente de la base, como se muestra.* Luego, coloque el conjunto entre las orejas de instalación en la base del eje (18) y acople con el perno, la arandela y la tuerca (29, 30 y 31). Ajuste las tuercas. Incline el conjunto de la unidad hidráulica hacia atrás contra la base del eje.
10. Conecte la pluma (24) a la base del eje con el perno, la arandela y la tuerca (25, 26 y 27).
11. Sostenga la pluma (24) y pivotee la unidad hidráulica (32) hacia afuera lejos de la base del eje. Acople el ariete de la unidad hidráulica (39) a la pluma con pernos, arandelas y tuercas (37, 30 y 31). Ajuste las tuercas.
12. Deslice la extensión de la pluma (6) hacia la pluma y fíjela en posición de retracción con el pasador, el sujetador "E" y el pasador rampa (38, 15 y 16). Tres posiciones disponibles. 1/2 ton (1120 libras), 3/4 ton (1905 libras) y 1 ton (2240 libras).
13. Deslice la arandela cuadrada (7) hacia la pluma con pernos y arandelas (4 y 3).
14. Inserte el gancho (8) en la extensión de la pluma con los pernos, las arandelas y las tuercas (9, 10 y 11). Vuelva a ajustar todos los sujetadores.

Para plegarlo para el guardado:

- a. Retire el pasador (17).
- b. Empuje la pata hacia adelante y sepárela de la base.
- c. Levante la pata hasta que quede casi en posición vertical, enganche la parte muescada de la base del eje en la parte muescada de la pata. Asegúrese de que las partes muescadas queden trabadas entre sí. Repita el procedimiento para la otra pata.



Elem.	Componente del kit de accesorios	Cant.
3	Arandela de seguridad M8	9
4	Perno M8 x 16	9
7	Arandela M8	1
9	Perno M12 x 65	5
10	Arandela de seguridad M12	10
11	Tuerca M12	6
20	Perno M12 x 70	2
22	Perno M12 x 90	1
23	Perno M12 x 30	2
25	Perno M20 x 100	1
26	Arandela de seguridad M20	1
27	Tuerca M20	1
29	Perno M16 x 70	1
30	Arandela de seguridad M16	2
31	Tuerca M16	2
33	Perno M10 x 30	2
34	Arandela de seguridad M10	2
35	Tuerca M10	2
37	Perno M16 x 90	1

Figura 3: Ilustración de ensamblaje para el modelo 44010

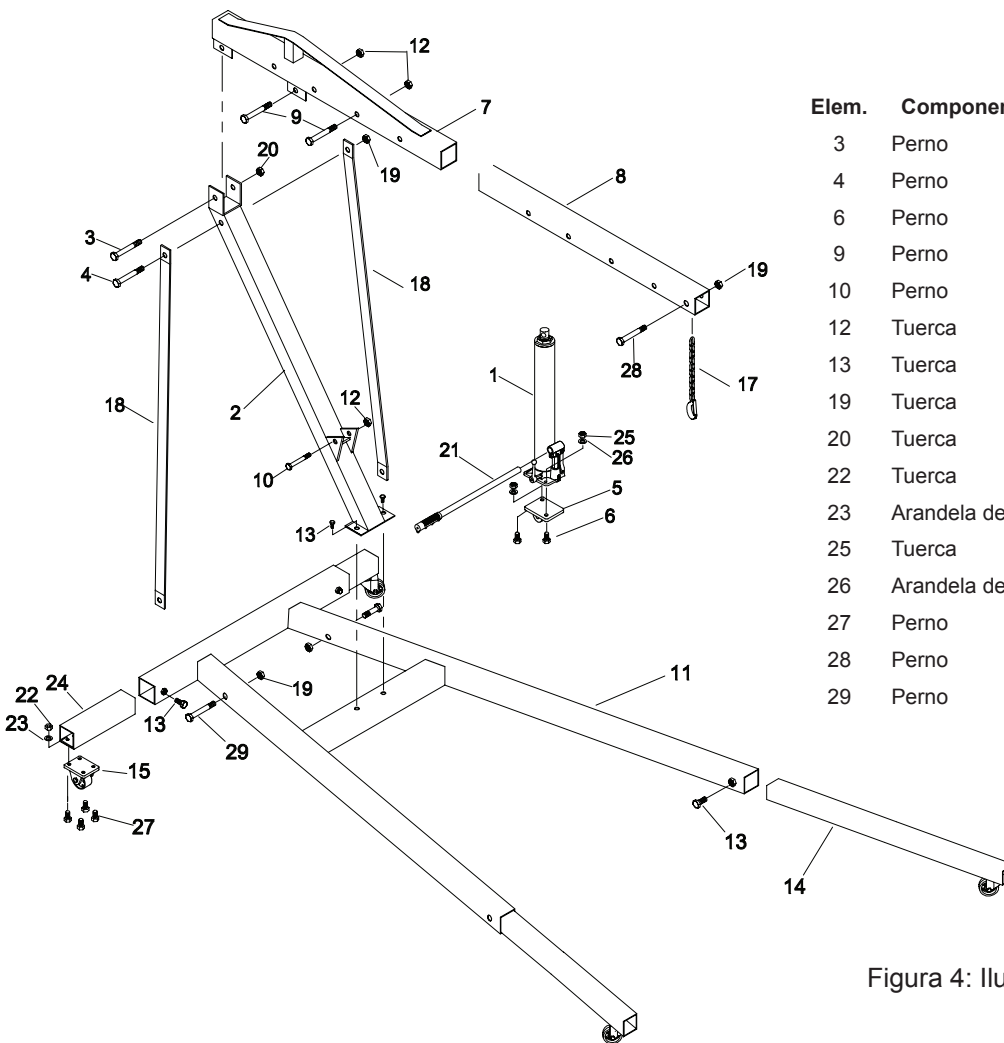
ENSAMBLAJE

Modelo 44020:

1. Asegúrese de que todas las piezas estén presentes (ref. Fig. 2 y 4). Si falta alguna pieza o si está dañada, comuníquese con el servicio de atención al cliente.
2. Fije las ruedecillas libres (15) a las patas de extensión traseras (24) con pernos, arandelas y tuercas (27, 23 y 22).
3. Deslice las patas de extensión delanteras (14) y las patas de extensión traseras (24) en la base (11), asegure con pernos (13) en la base y apriete los pernos.

AVISO: Nunca ajuste las extensiones de las patas más allá de la posición marcada de fábrica en cada pata. Ajuste cada extensión de la pata a una distancia igual de la base.

4. Coloque la base del eje (2) en la base (11) y fíjelo con pernos (13). Ajuste los pernos a mano.
5. Conecte los tirantes (18) a cada lado de la base del eje y fíjelos con el perno y la tuerca (4 y 19). Coloque la parte inferior los tirantes dentro de la base y proceda a fijar con pernos y tuercas (29 y 19).
6. Acople el soporte (5) a la unidad hidráulica (1) con pernos, arandelas y tuercas (6, 25 y 26). Luego, acople el conjunto a las orejas de instalación verticales con el perno y la tuerca (10 y 12).
7. Coloque la pluma (7) en la parte superior de la base del eje (2) y fíjela con el perno y la tuerca (3 y 20). Bombee la unidad hidráulica con la manija (21) hasta que el ariete se extienda aproximadamente 2" (5 cm). Coloque el soporte de montaje de la pluma sobre el ariete y fíjelo con pernos y tuercas (9 y 12).
8. Deslice la extensión de la pluma (8) hacia el interior de la pluma (7), asegúrese de que la ranura de la cadena quede orientada hacia abajo; luego, fíjela con pernos y tuercas (9 y 12) en el orificio correcto de la pluma, dependiendo del trabajo particular. Cuatro posiciones disponibles. 1/2 ton (1120 libras), 1 ton (2240 libras), 1-1/2 ton (3360) y 2 ton (4480 libras).
9. Deslice la cadena y el gancho (17) hacia la ranura de la parte inferior delantera de la extensión de la pluma (8) y fíjelos con pernos y tuercas (28 y 19) tal como se muestra. Vuelva a ajustar todos los sujetadores.



Elem.	Componente del kit de accesorios	Cant.
3	Perno M20 x 120	1
4	Perno M12 x 100	1
6	Perno M10 x 30	2
9	Perno M16 x 90	2
10	Perno M16 x 75	1
12	Tuerca M16	3
13	Tuerca M12 x 25	6
19	Tuerca M12	4
20	Tuerca M20	1
22	Tuerca M8	16
23	Arandela de seguridad M8	16
25	Tuerca M10	2
26	Arandela de seguridad M10	2
27	Perno M8 x 16	16
28	Perno M12 x 75	1
29	Perno M12 x 90	2

Figura 4: Ilustración de ensamblaje para el modelo 44020

ANTES DEL USO

1. Verifique que el producto y la aplicación sean compatibles; si tiene dudas, llame al Servicio técnico de Omega al (888) 332-6419.
2. Antes de usar este producto, lea todo el manual del operador; procure familiarizarse en forma completa con el producto y sus componentes, y reconocer los posibles peligros asociados a su uso.
3. Para familiarizarse con el funcionamiento básico, gire la perilla de la palanca de liberación:
 - a. A la *derecha* hasta que sienta una resistencia firme para continuar girando. Esta es la posición '**CERRADO**' de la válvula de liberación que se usa para elevar el pistón del ariete.
 - b. A la *izquierda*, pero no más de 2 giros con respecto a la posición de cerrado. Esta es la posición '**ABIERTO**' de la válvula de liberación que se usa para bajar el pistón del ariete.

⚠ ADVERTENCIA: *Despeje el área de herramientas y operarios antes de bajar la carga. Abra lentamente la válvula de liberación. Cuanto más gire la manija a la izquierda, más rápido descenderá la carga. Mantenga el control de la carga en todo momento.*

4. Retire la unidad hidráulica y colóquela como se muestra en la figura 5.
5. Con el pistón del ariete totalmente retraído, retire el tapón de llenado de aceite. Coloque la manija en el manguito de la manija; luego bombee de 6 a 8 recorridos. Esto ayudará a liberar el aire presurizado que pudiera estar atrapado dentro del depósito. Asegúrese de que el nivel de aceite esté justo por debajo del orificio de llenado de aceite. Vuelva a colocar el tapón de llenado de aceite.
6. Vuelva a instalar la unidad hidráulica.
7. Verifique que la grúa gire libremente y que la bomba y la válvula de liberación funcionen sin problemas. Antes de poner la plataforma rodante en servicio, suba y baje la grúa sin carga a lo largo de la distancia de elevación. Reemplace las piezas y los conjuntos desgastados o dañados solo con piezas de repuesto autorizadas de fábrica.

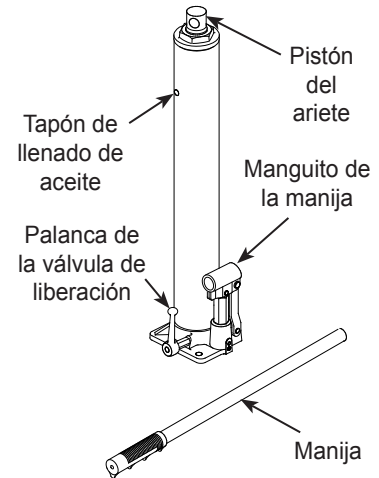


Figura 5: unidad hidráulica/ariete

FUNCIONAMIENTO

⚠ ADVERTENCIA: *El uso de esta grúa de motor está limitado a la elevación, el descenso y el transporte en la posición más baja posible de motores de automotores y camiones livianos. NO está diseñada para usarse como estación de trabajo.*

Para el modelo 44020:

La grúa presenta pluma de longitud ajustable y extensiones de patas de longitud y ancho ajustables. Extienda ambas patas traseras hasta tener un ancho igual en las dos. Es recomendable que se extiendan las dos patas traseras hasta la distancia máxima permitida según lo limita la marca en cada pata. Las extensiones de ambas patas delanteras deben colocarse de manera tal que coincidan con las marcas de capacidad nominal de las plumas. Tanto las patas traseras como las delanteras deben estar fijadas mediante un sujetador de bloqueo que se encuentra en cada tubo del bastidor de las patas. No apriete demasiado.

⚠ ADVERTENCIA: *Las patas delanteras deben extenderse a una misma longitud y deben coincidir con las marcas de capacidad nominal que se encuentran en la pluma. Nunca opere la grúa con las extensiones de la pluma y las patas colocadas en diferentes capacidades (ref. Figura 6).*

Para todos los modelos:

Siempre consulte el manual de servicio del vehículo o el manual del taller para ver la ubicación de los puntos de levantamiento del motor y los procedimientos de extracción adecuados. La extracción/instalación de cada motor puede requerir diferentes herramientas, procedimientos y nivel de experiencia.

⚠ ADVERTENCIA: *levante solamente en áreas del motor especificadas por el fabricante del vehículo.*

⚠ ADVERTENCIA: *nunca cargue la grúa con un motor que se extienda más allá de la línea imaginaria dibujada que conecta las líneas centrales de los ejes de las ruedas/ruedecillas delanteras y traseras como se muestra en la Figura 6.*

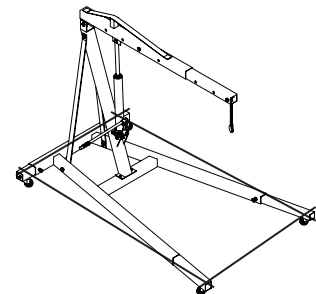


Figura 6

1. Asegúrese de que la carga no exceda la capacidad nominal de la pluma que eligió y la posición de las patas.
2. Fije el nivelador del motor, la cadena o el eslinga conjunto de eslinga con capacidad nominal adecuada (que se vende por separado) a los puntos de elevación de motor recomendados por el fabricante del vehículo.
3. Fije el conjunto de gancho de seguridad de la grúa de motor al nivelador de motor, la cadena o el conjunto de eslinga.
4. Consulte el manual de servicio del vehículo o el manual del taller para ver la ubicación de los puntos de levantamiento del motor y los procedimientos de extracción adecuados. La extracción/instalación de cada motor puede requerir diferentes herramientas, procedimientos y nivel de experiencia.
5. Cuando esté listo para extraer el motor, gire la válvula de liberación a la izquierda hasta que esté firme. Bombee la manija hasta que la carga este lo suficientemente alta para despejar el vehículo. Antes de mover la grúa, verifique que la carga:
 - a. esté en la posición práctica más baja y siempre debajo del centro de gravedad.
 - b. no oscile ni se mueva sin darse cuenta.

⚠ ADVERTENCIA: *En ningún caso coloque ninguna parte del cuerpo debajo de una carga soportada por la grúa de motor. Mantenga la grúa sobre una superficie uniforme, dura y suave. Antes de mover la grúa, baje la pluma lo más que se pueda, pero que sea posible moverla.*

6. Retire el motor, luego transfiera inmediatamente el motor al dispositivo de soporte para motor adecuado (soporte para motor). Haga girar la palanca de la válvula de liberación a la izquierda para bajar la carga, pero nunca más de 2 giros completos. **Controle** la velocidad de descenso de la carga **en todo momento**. Cuanto más abra la válvula de liberación, más rápido descenderá la carga.
7. Asegúrese de que el soporte esté firme antes de trabajar en o alrededor de este.

MANTENIMIENTO

Inspeccione la grúa de motor y los sujetadores periódicamente. Reemplace las piezas desgastadas o dañadas solo con piezas de repuesto de fábrica. Asegúrese de que las ruedecillas, las ruedas, la extensión de la pluma, las extensiones de las patas (si vienen provistas) y el conjunto de la bomba se muevan con libertad.

AVISO: *Use solo aceite para gatos hidráulicos de buena calidad. Evite mezclar diferentes tipos de líquidos y NUNCA use líquido de frenos, aceite de turbinas, líquido de transmisión, aceite de motor ni glicerina. El uso de un líquido inadecuado puede provocar fallas prematuras en el gato y posibles pérdidas de carga repentinas e inmediatas. Se recomienda el uso de aceite para gato hidráulico de alta calidad.*

Cómo agregar aceite a la unidad hidráulica

1. Retire la unidad hidráulica de la grúa.
2. Una vez que el ariete haya descendido por completo y el pistón de la bomba se haya oprimido por completo, coloque la unidad hidráulica en posición vertical y a nivel. Retire el tapón de llenado de aceite.
3. Llène con aceite hasta justo por debajo del borde del orificio del tapón de llenado de aceite. Vuelva a colocar el tapón de llenado de aceite.

Cómo cambiar el aceite de la unidad hidráulica

Para lograr el mejor rendimiento y una vida útil más prolongada, cambie el suministro completo de líquido una vez al año.

1. Retire cuidadosamente la unidad hidráulica de la grúa.
2. Una vez que el ariete haya descendido por completo y el pistón de la bomba se haya oprimido por completo, quite el tapón de llenado de aceite.
3. Coloque la unidad hidráulica de lado y descargue el líquido en un recipiente adecuado.

AVISO: *Deseche el líquido hidráulico conforme a las reglamentaciones ambientales locales.*

4. Coloque la unidad hidráulica en posición vertical y a nivel. Llène con aceite hasta justo por debajo del borde del orificio de llenado de aceite. Vuelva a colocar el tapón de llenado de aceite.

Lubricación

Si aparece óxido, lije el área afectada y cúbrala con pintura utilitaria adecuada. La lubricación periódica con un aceite liviano en los puntos de giro, los ejes y las bisagras ayudará a evitar la corrosión y garantizará que los conjuntos de las ruedas, las ruedecillas y la bomba se muevan libremente.

Limpieza

Verifique periódicamente el pistón y el ariete de la bomba en busca de signos de oxidación o corrosión. Límpielos con un paño con aceite, según sea necesario.

AVISO: *Nunca use papel de lija ni materiales abrasivos en las superficies del ariete y el pistón de la bomba.*

MANTENIMIENTO (cont.)

Almacenamiento

Almacene la grúa de motor con el pistón de la bomba, el ariete y la pluma completamente bajos y la válvula de liberación abierta, pero nunca más de 2 giros completos. Esto ayudará a prevenir el óxido y la corrosión en aquellas superficies críticas de la unidad hidráulica.

LOCALIZACIÓN Y SOLUCIÓN DE PROBLEMAS

Síntoma	Causas posibles	Medidas correctivas
La grúa no levanta la carga.	<ul style="list-style-type: none">• La válvula de liberación no está herméticamente cerrada.• Hay un estado de sobrecarga.	<ul style="list-style-type: none">• Asegúrese de que la válvula de liberación esté herméticamente cerrada.• Solucione el estado de sobrecarga.
La grúa se eleva, pero no mantiene la presión.	<ul style="list-style-type: none">• La válvula de liberación no está herméticamente cerrada.• La unidad hidráulica no funciona correctamente.	<ul style="list-style-type: none">• Asegúrese de que la válvula de liberación esté herméticamente cerrada.• Póngase en contacto con un técnico de servicio de Omega.
La grúa no baja después de su descarga.	<ul style="list-style-type: none">• El depósito está lleno en exceso.	<ul style="list-style-type: none">• Asegúrese de retirar la carga, luego descargue el líquido hasta el nivel adecuado.
La capacidad de elevación es deficiente.	<ul style="list-style-type: none">• El nivel de líquido está bajo.• Hay aire atrapado en el sistema.	<ul style="list-style-type: none">• Asegúrese de que el nivel de líquido sea el adecuado.• Una vez que el ariete esté completamente contraído, quite el tapón del llenado de aceite para permitir la salida del aire presurizado; luego, vuelva a instalar el tapón de llenado de aceite.
La grúa no se eleva al máximo de su capacidad.	<ul style="list-style-type: none">• El nivel de líquido está bajo.	<ul style="list-style-type: none">• Asegúrese de que el nivel de líquido sea el adecuado.

PIEZAS DE REPUESTO

No todos los componentes de la grúa de motor tienen reemplazo, pero se ilustran a modo de referencia práctica de la ubicación y la posición que ocupan en la secuencia del conjunto. Cuando realice el pedido de piezas, indique el número de modelo y la descripción de las piezas. Para obtener el precio vigente, comuníquese a: SFA Companies 10939 N. Pomona Ave. Kansas City, MO 64153, U.S.A. Correo electrónico: sales@omegalift.com Tel.: (888) 332-6419 Fax: (816) 891-6599, sitio web: <http://www.omegalift.com>

Modelo 44010

Elem.	N.º de pieza	Descripción	Cant.
1	BL80-10000-000	Unidad hidráulica	1
2	5905-00100-100	Tapón de llenado de aceite	1
3	BL80-20000-000	Manija de la bomba	1
4	T473-00005-000	Soporte de la unidad hidráulica	1
5	T474-07000-000	Conjunto del gancho	1

Elem.	N.º de pieza	Descripción	Cant.
6	T474-00003-000	Rueda delantera, 5" (12,7 cm)	2
7	T474-00002-000	Rueda media, 3-1/2" (8,89 cm)	2
8	T474-04000-000	Ruedecilla, 3-1/2" (8,89 cm)	2
9	T474-03000-000	Pasador de seguridad	2
10	T474-00001-000	Tirantes	2
11	T474-08000-000	Extensión de la pluma	4
-	T474-09000-000	Kit de accesorios	-
-	BL800S-034	Kit de aislamiento, unidad hidráulica	-
-	44010-L0	Etiqueta	-
-	44010-M0	Manual	-

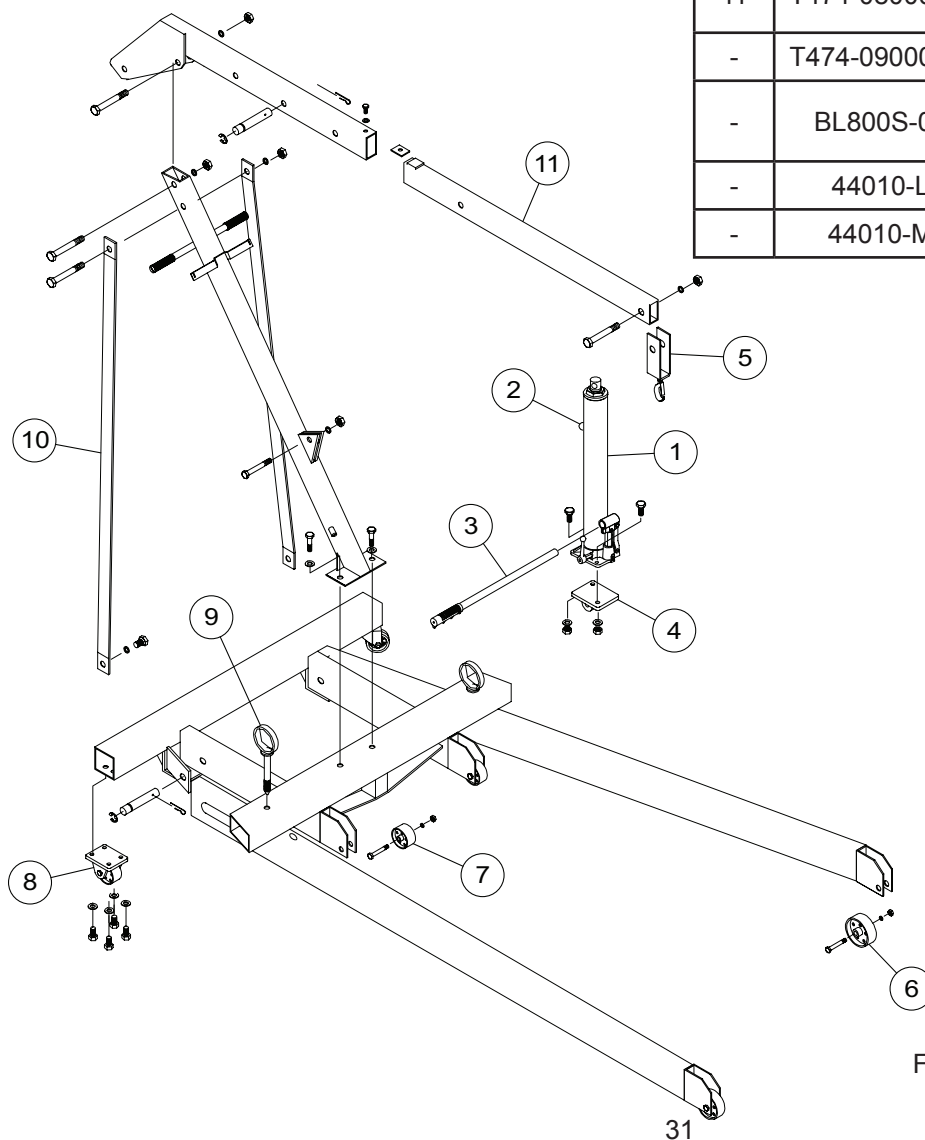


Figura 7: Ilustración de piezas de repuesto para el modelo 44010

Modelo 44020

Elem.	N.º de pieza	Descripción	Cant.
1	BL80-10000-000	Unidad hidráulica	1
2	5905-00100-100	Tapón de llenado de aceite	1
3	BL80-20000-000	Manija de la bomba	1
4	T473-00005-000	Soporte de la unidad hidráulica	1
5	T473-05000-000	Conjunto del gancho	1
6	T473-04000-000	Ruedecilla, 3-1/2" (8,89 cm)	4

Elem.	N.º de pieza	Descripción	Cant.
7	T473-00001-000	Tirantes	2
8	T473-00003-000	Extensión de la pluma	1
9	T473-00004-100	Extensión de la pata delantera	2
10	T473-00002-100	Extensión de la pata trasera	2
-	T473-06000-000	Kit de accesorios	-
-	BL800S-034	Kit de aislamiento, unidad hidráulica	-
-	44020-L0	Etiqueta	-
-	44010-M0	Manual	-

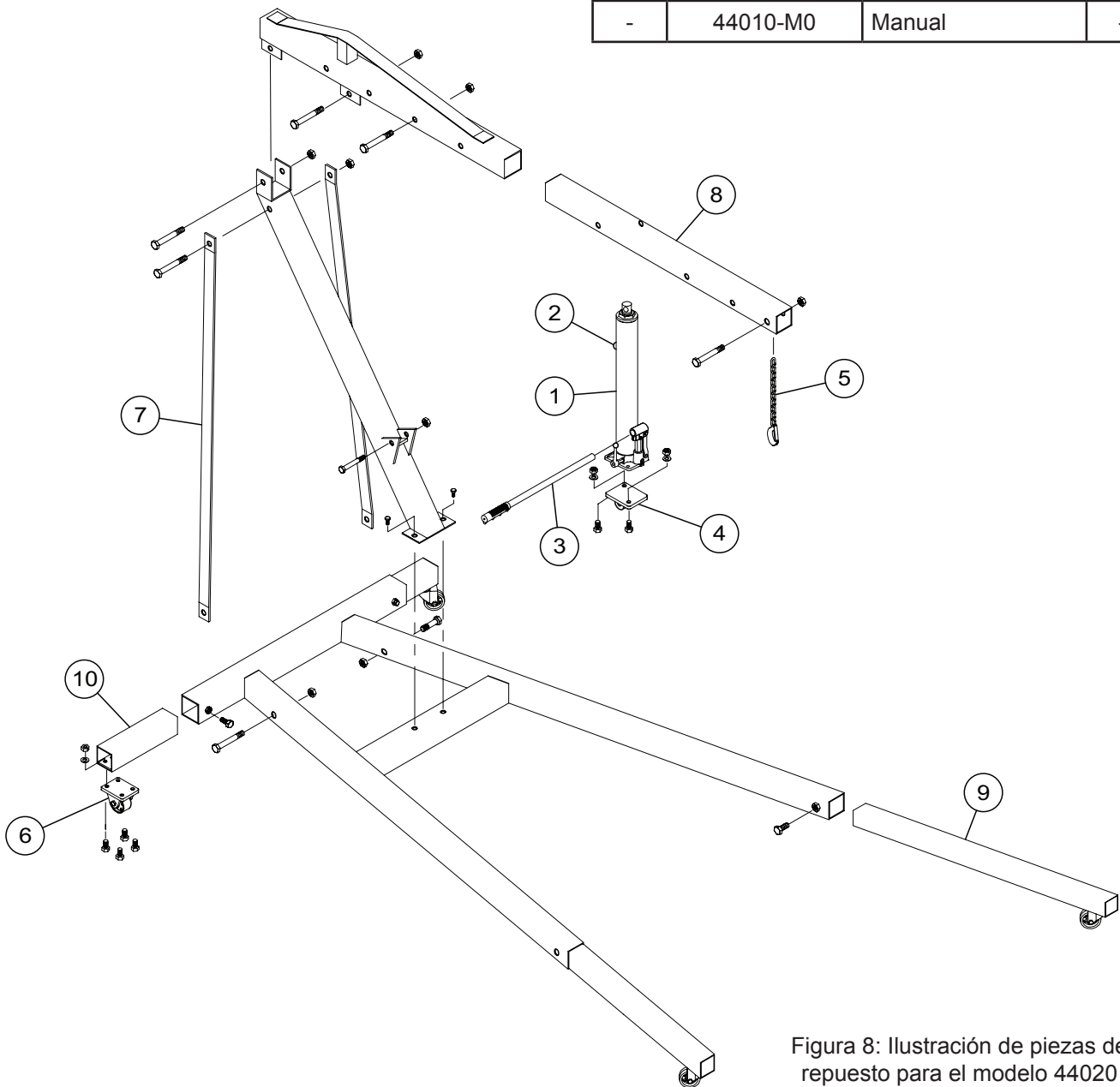


Figura 8: Ilustración de piezas de repuesto para el modelo 44020

GARANTÍA LIMITADA DE UN AÑO

Por el período de un (1) año desde la fecha de compra, **SFA Companies** reparará o reemplazará, a su discreción, sin costo alguno, cualquier producto que presente fallas debido a defectos de materiales o mano de obra bajo condiciones normales de uso. Esta garantía limitada es un recurso exclusivo del consumidor.

El cumplimiento de toda obligación en virtud de esta garantía puede obtenerse con el envío del producto en garantía, con flete abonado en origen, a **SFA Companies** Warranty Service Department, 10939 N. Pomona Ave., Kansas City, MO 64153.

Salvo que tales limitaciones y exclusiones estén específicamente prohibidas por las leyes vigentes, (1) EL ÚNICO Y EXCLUSIVO RECURSO DEL CONSUMIDOR SERÁ LA REPARACIÓN O EL REEMPLAZO DE LOS PRODUCTOS DEFECTUOSOS, COMO SE DETALLA ARRIBA. (2) **SFA Companies** NO SERÁ RESPONSABLE, EN NINGÚN CASO, POR DAÑOS O PÉRDIDAS EMERGENTES O INCIDENTALES. (3) TODA GARANTÍA IMPLÍCITA, LO QUE INCLUYE, ENTRE OTRAS, LAS GARANTÍAS IMPLÍCITAS DE COMERCIALIZACIÓN Y APTITUD PARA FINES ESPECÍFICOS, ESTARÁ LIMITADA A UN AÑO; DE OTRO MODO, LA REPARACIÓN, EL REEMPLAZO O LA DEVOLUCIÓN DE DINERO CONFORME A ESTA GARANTÍA LIMITADA EXPRESA SERÁ EL EXCLUSIVO RECURSO DEL CONSUMIDOR, Y SE OFRECE EN LUGAR DE CUALQUIER OTRA GARANTÍA, EXPRESA O IMPLÍCITA. (4) CUALQUIER MODIFICACIÓN, ALTERACIÓN, USO INDEBIDO, SERVICIO NO AUTORIZADO O DISEÑO ORNAMENTAL ANULARÁ ESTA GARANTÍA Y NO ESTARÁ CUBIERTO POR ESTA GARANTÍA.

Algunos estados no permiten la limitación de la duración de las garantías implícitas, por lo que las limitaciones anteriores pueden no aplicarse en su caso. Algunos estados no permiten excluir o limitar los daños emergentes o incidentales, por lo tanto esta limitación o exclusión puede no ser aplicable en su caso. Esta garantía le otorga derechos legales específicos. Usted puede tener además otros derechos que varían de un estado a otro.



SFA Companies
10939 N. Pomona Ave. Kansas City, MO 64153, EE.UU.
Tel.: (888) 332-6419 Fax: (816) 891-6599
Correo electrónico: sales@omegalift.com
Sitio web de Omega: <http://www.omegalift.com>

Note Page/Notes/Notas



SFA Companies
10939 N. Pomona Ave. Kansas City, MO 64153, U.S.A.
Tel:(888)332-6419 Fax:(816)891-6599
e-mail:sales@omegalift.com
Omega Website: <http://www.omegalift.com>

Note Page/Notes/Notas



SFA Companies
10939 N. Pomona Ave. Kansas City, MO 64153, U.S.A.
Tel:(888)332-6419 Fax:(816)891-6599
e-mail:sales@omegalift.com
Omega Website: <http://www.omegalift.com>

Note Page/Notes/Notas



SFA Companies
10939 N. Pomona Ave. Kansas City, MO 64153, U.S.A.
Tel:(888)332-6419 Fax:(816)891-6599
e-mail:sales@omegalift.com
Omega Website: <http://www.omegalift.com>