



Hydraulic Wheel Dolly

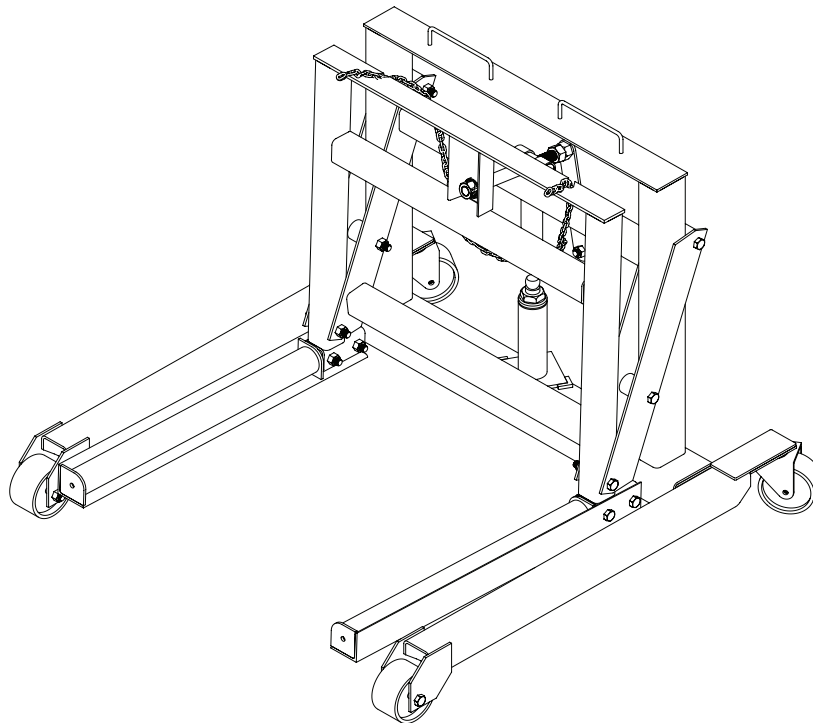
Operating Instructions & Parts Manual

Model Number
HW93766

Capacity
3/4 Ton



**Made in the
U.S.A.**



This is the safety alert symbol. It is used to alert you to potential personal injury hazards. Obey all safety messages that follow this symbol to avoid possible injury or death.

SFA Companies
10939 N. Pomona Ave. Kansas City, MO 64153
customerservices@heinwerner-automotive.com

Read this manual and follow all the Safety Rules and Operating Instructions before using this product

SAFETY AND GENERAL INFORMATION

Save these instructions. For your safety, read, understand, and follow the information provided with and on this wheel dolly before using. The owner and/or operator of this equipment shall have an understanding of this equipment and safe operating procedures before attempting to use. The owner and/or operator shall be aware that use and repair of this product may require special skills and knowledge. Instructions and safety information shall be conveyed in the operator's native language before use of this product is authorized. If any doubt exists as to the safe and proper use of this wheel dolly, remove from service immediately.

Inspect before each use. Do not use if broken, bent, cracked, or damaged parts (including labels) are noted. Any wheel dolly that appears damaged in any way, operates abnormally or is missing parts, shall be removed from service immediately and the manufacturer notified. If you suspect that the product was subjected to a shock load (a load dropped suddenly, unexpectedly upon it), immediately discontinue use until it has been checked by a factory authorized service center (contact distributor or manufacturer for list of Authorized Service Centers). It is recommended that an annual inspection be done by qualified personnel. Replace worn or damaged parts with Hein-Werner Authorized Replacement Parts only. Labels and owner's manuals are available from manufacturer.

PRODUCT DESCRIPTION

Hein-Werner hydraulic wheel dolly is designed to facilitate the removal and installation of pneumatic tires and wheel assemblies found on many trucks, buses and trailers. This is **NOT** suitable for use as a wheel and tire puller. It is designed only for use in removing up to rated capacity tire and wheel assemblies which are **not** bound and/or seized up at the brake drum or hub assemblies. This device is designed to be used in conjunction with jacks and jack stands.

WARNING

- Study, understand and follow all instructions before operating this device.
- Do not exceed rated capacity.
- Use only on hard, level surfaces.
- Apply load as close to the vertical position of the lifting member as possible.
- Before moving, lower load to lowest possible point
- Before moving, assure that the load is centered and secured with a load restraint device.
- No alterations shall be made to this product.
- Failure to heed these markings may result in personal injury and/or property damage.

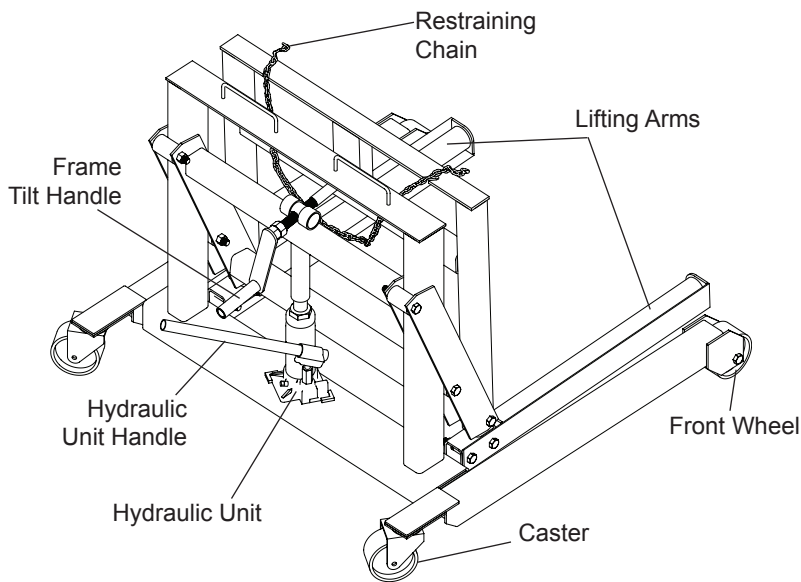


Figure 1 - Wheel Dolly Components

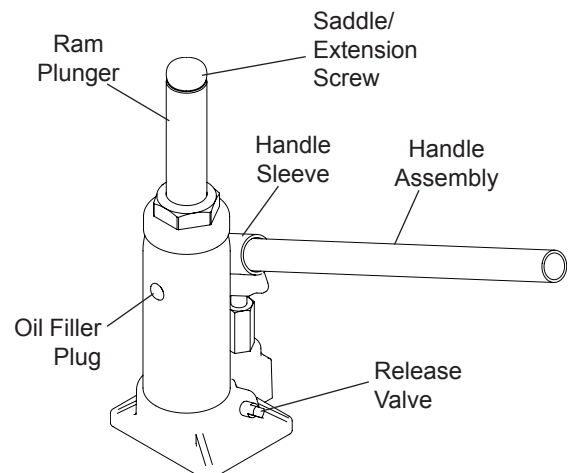


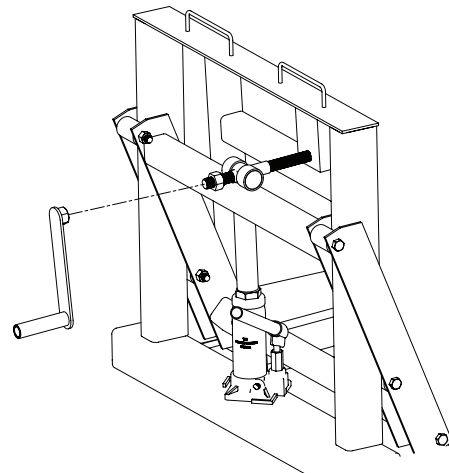
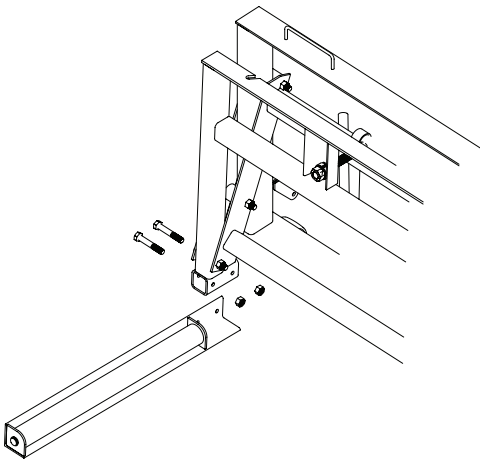
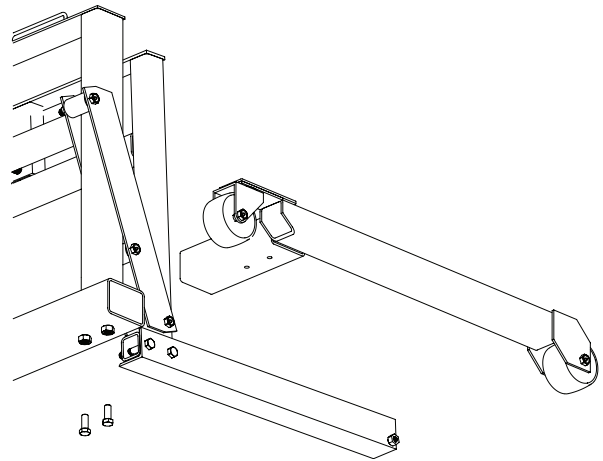
Figure 2 - Hydraulic Unit Components

SPECIFICATIONS

Model	Capacity	Lift Range	Lifting Arm Length	Lifting Arm Spread	Overall Size (l x w x h)
HW93766	3/4 ton	4" - 9"	23"	26-1/2"	38-3/4" x 39-1/2" x 32"

ASSEMBLY

1. Insert base legs into lower main frame and secure with two 1/2-13 x 1 hex bolts.



2. Install roller assemblies to lifting frame using supplied 1/2-13 x 3 hex bolts and 1/2-13 nuts.
3. Screw Frame Tilt Handle to lifting frame threaded rod.

PREPARATION (ref. Figures 1 and 2)

1. Verify that the product and the application are compatible, if in doubt call Hein-Werner Technical Service (816) 891-6390.
2. Before using this product, read the owner's manual completely and familiarize yourself thoroughly with the product, its components, and recognize the hazards associated with its use.
3. Assemble the hydraulic unit handle.

PREPARATION (cont.)

- To familiarize yourself with basic operation, position hydraulic unit upright as shown in Fig. 2., locate and engage release valve with slotted portion of provided handle, then turn release valve:
 - Clockwise* until firm resistance is felt to further turning. This is the '**CLOSED**' release valve position used to **raise** the load.
 - Counter-clockwise*, but no more than 1 turn from the closed position. This is the '**OPEN**' release valve position used to **lower** the load.
- With ram plunger fully lowered, locate and remove the oil filler plug. Insert the handle into the handle sleeve then pump 6 to 8 full strokes. Check oil level. Proper level is oil even with the bottom of the oil filler plug hole. Adjust as needed, reinstall the oil filler plug.
- Place the hydraulic unit (Fig. 2) into the hydraulic unit holder located beneath the lifting frame. Position the unit such that the saddle mates with the vertical tube under lifting frame.
- Check to ensure the wheel dolly rolls freely and the hydraulic unit operates smoothly before putting into service. Lubricate as instructed in Maintenance Section.

Bleeding/Venting Trapped Air in Hydraulic Unit

With the release valve in the OPEN position (4b above) and with saddle fully lowered, locate and remove the oil filler plug. Insert the handle into the handle sleeve; then pump 6 to 8 full strokes. This will help release any pressurized air which may be trapped within the reservoir. Reinstall the oil filler plug.

OPERATION (ref. Figures 1 and 2)

VEHICLE PREPARATION

- Position vehicle on a hard, level surface, such as reinforced concrete, large enough to accommodate vehicle, jacks, jack stands, and wheel dolly.
- Set the vehicle emergency brake unless the rear drum, tire and wheel are all to be removed as an assembly.
- Chock all unlifted tires in both directions and take every precaution necessary to ensure the set up is stable and will prevent all inadvertent vehicle movement.

RAISING THE LIFTING ARMS

- Locate and engage the release valve using the provided handle assy, then turn handle clockwise until firm resistance is felt to further thread engagement.

⚠ WARNING: *Follow the vehicle manufacturers recommended removal and installation procedures for tire, wheel, hub, or axle assemblies as needed! **Do not** remove more than is recommended by the vehicle manufacturer.*

- After the tire, wheel assembly has been loosened from the hub or axle and is ready to be removed, position the dolly under the assembly to be removed. Pump until load reaches desired height. Adjust lift arm tilt such that the tire and wheel assembly will rest securely between the lift arms without falling.

LOADING THE WHEEL DOLLY

⚠ WARNING: *Never load this device with more than the weight of the wheel assembly to be removed. Ensure that the vehicle is securely positioned and supported by a pair of appropriately rated jack stands.*

⚠ WARNING: *Never use a wheel dolly as a wheel pulling device. Before transporting wheel assembly, ensure that it is free from the hub or drum assembly and secured to the wheel dolly with the provided restraint.*

- When the weight of the loosened tire and wheel assembly is supported by the wheel dolly, carefully roll the wheel dolly away from the drum or axle.

LOWERING

1. Engage and slowly turn the release valve counterclockwise, but never more than 1 full turn.

TRANSPORTING LOADED WHEEL DOLLY

1. Ensure that wheel assembly is secured to the wheel dolly by means of the provided chain.
2. When wheel assembly has cleared the hub or the axle, lower the lift arms to the lowest position that will still allow movement.
3. Push or pull wheel dolly to desired location.

⚠ CAUTION: *Follow the vehicle manufacturers recommended removal and installation procedures for tire, wheel, hub, or axle assemblies as needed.*

⚠ CAUTION: *If the operating handle is worn, operates abnormally, or will not positively engage the release valve, immediately discontinue use of the jack until a replacement handle assembly can be acquired.*

MAINTENANCE

NOTICE: *Use only good quality hydraulic jack oil. Avoid mixing different types of fluid and NEVER use brake fluid, turbine oil, transmission fluid, motor oil or glycerin. Improper fluid can cause failure of the jack and the potential for sudden and immediate loss of load. Hein-Werner recommends hydraulic jack oil HW93291 or equivalent.*

ADDING OIL TO HYDRAULIC UNIT

1. With saddle fully lowered set jack in its upright, level position. Locate and remove oil filler plug.
2. Fill with oil even with the bottom of oil filler plug hole. Reinstall the oil filler plug.

CHANGING OIL IN HYDRAULIC UNIT

For best performance and longest life, replace the complete fluid supply at least once per year.

1. Remove hydraulic unit from wheel dolly. Set hydraulic unit upright on a hard, level surface.
2. With saddle fully lowered, remove the oil filler plug.
3. Lay the jack on its side and drain the fluid into a suitable container.

NOTICE: *Dispose of hydraulic fluid in accordance with local environmental regulations.*

4. Fill with oil even with the bottom of oil filler plug hole. Reinstall the oil filler plug.

LUBRICATION

A periodic coating of light lubricating oil to wheel dolly and hydraulic unit pivot points will help to ensure that all moving parts function smoothly. Apply grease to zerco fittings on lift frame and rear wheel as required.

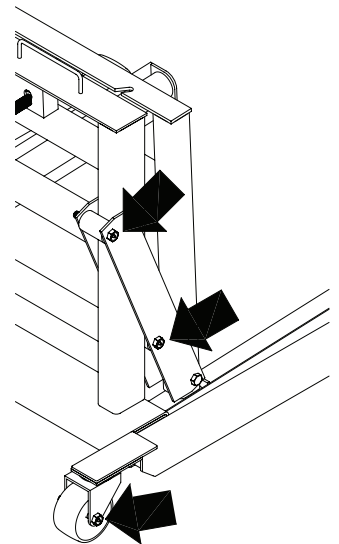
CLEANING

Periodically check the pump piston and ram for signs of rust or corrosion. Clean as needed and wipe with an oily cloth.

NOTICE: *Never use sandpaper or abrasive material on pump piston or ram surfaces.*

STORAGE

Store the jack with the pump piston, ram plunger, and saddle fully lowered and the release valve open, but never more than one turn. This will help prevent rust and corrosion to those critical surfaces.



TROUBLESHOOTING

Symptom	Possible Causes	Corrective Action
Hydraulic unit will not lift load	• Release valve not tightly closed	• Ensure release valve tightly closed
Hydraulic unit *bleeds off after lifting	• Release valve not tightly closed • Hydraulic unit malfunction	• Ensure release valve tightly closed • Contact Hein-Werner Tech. Service
Hydraulic unit will not lower after unloading	• Reservoir overfilled • Linkages binding	• Drain fluid to proper level • Clean and lubricate moving parts
Poor performance	• Fluid level low • Air trapped in system	• Ensure proper fluid level • With ram fully retracted, remove oil filler plug to let pressurized air escape, then reinstall oil filler plug
Will not lift to full extension	• Fluid level low	• Ensure proper fluid level

(*) "bleeds off" refers to an unexpected loss of load height due to a loss of hydraulic pressure

REPLACEMENT PARTS

Not all components of the wheel dolly are replacement items, but are illustrated as a convenient reference of location and position in the assembly sequence. When ordering parts, give Model number, parts number and parts description. Call or write for current pricing: Hein-Werner Customer Support, 10939 N. Pomona Ave. Kansas City, MO 64153
E-mail: customerservices@heinwerner-automotive.com Phone:(816) 891-6390

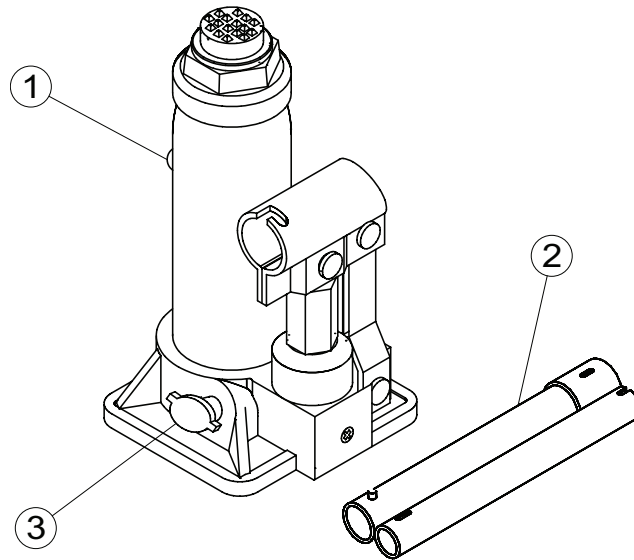


Figure 4 - Parts Illustration for Wheel Dolly HW93766 - Hydraulic Unit

Item	Part Number	Description	Qty
1	F36100-0001	Oil Filler Plug	1
2	B20207-0002	Handle Assembly	1
3	B80200-0001	Release Valve Assembly	1
-	B20407-0001	Repair Kit (includes all soft seals, oil filler plug & release valve assembly)	-

Item	Part Number	Description	Qty
4	10045C	Bottle Jack, 4-Ton	1
5	766-000-001	Tilt Handle Assembly	1
6	766-000-002	Restraint Chain	1
7	766-000-003	Tilt Arm Roller Assembly	2
8	766-000-004	Lifting Arm Roller Assembly	2
9	766-000-005	Front Wheel Assembly	2
10	HW93766-L0	Labels (not shown)	1
11	HW93766-M0	Owners Manual (not shown)	1

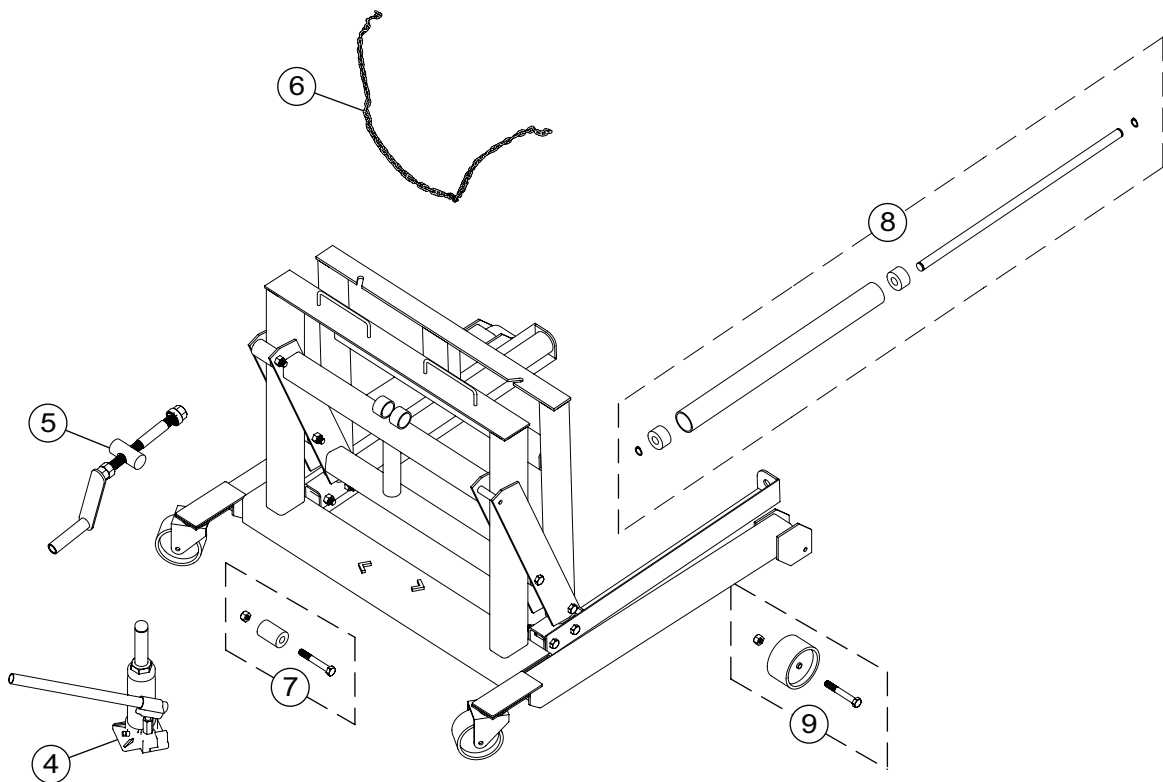


Figure 5 - Parts Illustration for Wheel Dolly HW93766 - Main Frame



TWO YEAR LIMITED WARRANTY

For a period of two (2) years from date of purchase, SFA Companies will repair or replace, at its option, without charge, any of its products which fails due to a defect in material or workmanship under normal usage. This limited warranty is a consumer's exclusive remedy.

Performance of any obligation under this warranty may be obtained by returning the warranted product, freight prepaid, to SFA Companies Warranty Service Department, 10939 N. Pomona Ave., Kansas City, MO 64153.

Except where such limitations and exclusions are specifically prohibited by applicable law:

- (1) THE CONSUMER'S SOLE AND EXCLUSIVE REMEDY SHALL BE THE REPAIR OR REPLACEMENT OF DEFECTIVE PRODUCTS AS DESCRIBED ABOVE
- (2) SFA COMPANIES SHALL NOT BE LIABLE FOR ANY CONSEQUENTIAL OR INCIDENTAL DAMAGE OR LOSS WHATSOEVER.
- (3) ANY IMPLIED WARRANTIES, INCLUDING WITHOUT LIMITATION THE IMPLIED WARRANTIES OF MERCHANTABILITY AND FITNESS FOR A PARTICULAR PURPOSE, SHALL BE LIMITED TO TWO YEARS, OTHERWISE THE REPAIR, REPLACEMENT OR REFUND AS PROVIDED UNDER THIS EXPRESS LIMITED WARRANTY IS THE EXCLUSIVE REMEDY OF THE CONSUMER, AND IS PROVIDED IN LIEU OF ALL OTHER WARRANTIES, EXPRESS OR IMPLIED.
- (4) ANY MODIFICATION, ALTERATION, ABUSE, UNAUTHORIZED SERVICE OR ORNAMENTAL DESIGN VOIDS THIS WARRANTY AND IS NOT COVERED BY THIS WARRANTY.

Some states do not allow limitations on how long an implied warranty lasts, so the above limitation may not apply to you. Some states do not allow the exclusion or limitation of incidental or consequential damages, so the above limitation or exclusion may not apply to you. This warranty gives you specific legal rights, and you may also have other rights which vary from state to state.