

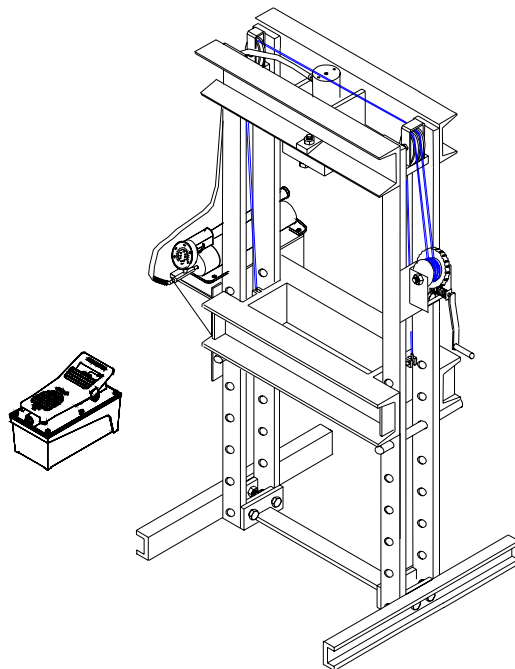


# Shop Presses

## Operating Instructions & Parts Manual

Model Number  
HW93300  
HW93301

Capacity  
25 Ton  
25 Ton



This is the safety alert symbol. It is used to alert you to potential personal injury hazards. Obey all safety messages that follow this symbol to avoid possible injury or death.

SFA Companies  
10939 N. Pomona Ave. Kansas City, MO 64153  
customerservices@heinwerner-automotive.com

**Read this manual and follow all the Safety Rules and Operating Instructions before using this product**

## SAFETY and GENERAL INFORMATION

**Save these instructions.** For your safety, read, understand, and follow the information provided with and on this product before using. The owner and/or operator of this equipment shall have an understanding of this equipment and safe operating procedures before attempting to use. The owner and/or operator shall be aware that use and repair of this product may require special skills and knowledge. Instructions and safety information shall be conveyed in the operator's native language before use of this product is authorized. If any doubt exists as to the safe and proper use of this product, remove from service immediately.

**Inspect before each use.** Do not use if there are broken, bent, cracked or otherwise damaged parts (including labels). If the press has been or suspected to have been subjected to a shock load (a load dropped suddenly and unexpectedly upon it), discontinue use until checked out by an authorized factory service center. Owners and operators of this equipment shall be aware that the use of this equipment may require special training and knowledge. It is recommended that an annual inspection be done by qualified personnel and that any missing or damaged parts, decals, warning/safety labels or signs be replaced with factory authorized replacement parts only. Any press that appears to be damaged in any way, is worn or operates abnormally shall be removed from service immediately. Labels and Manual are available from manufacturer.

## PRODUCT DESCRIPTION

Hein-Werner Shop Presses are designed for automotive, truck, implement, fleet, and industrial repair shops where pressing, bending, straightening, forming is required. Each press includes a pressure gauge which provides for monitoring the applied pressing force.

Typical applications include installation and removal of alternator and power steering pump bearings, axle bearings, transmission bearings, seal, driveshaft bearings and u-joints and others. It is not intended for use as an assembly table or as fixture stand used to secure a large, final assembly component. Refer to Cylinder and Pump manuals for more information.

**▲ WARNING:** *To reduce the risk of personal injury and/or property damage, ensure that the rated working pressure of each pressurized attachment be equal to or greater than the rated working pressure developed by the hydraulic pump.*

## BEFORE USE

1. Inspect before each use. Do not use if bent, broken or cracked components are noted. Check for and tighten any loose assemblies.
2. Verify that the product and the application are compatible, if in doubt call Hein-Werner Technical Service (816) 891-6390.
3. Before using this product, read the operator's manual completely and familiarize yourself thoroughly with the product, its components and recognize the potential hazards associated with its use.



## WARNING

- **Study, understand, and follow** all instructions provided with and on this device **before use**.
- **Do not** exceed rated capacity.
- Burst hazard exists if hose or connection pressure exceeds rated pressure.
- Use the device only on a hard, level surface.
- **Always monitor the pressure gauge while operating.**
- Always inspect hoses and connections for damage prior to use.
- Always wear safety goggles when working on or near this equipment.
- Keep hands, feet and all other body parts away from loading area.
- Never leave loaded press unattended.
- **Projectile hazard!** Ensure workpiece is center loaded, and a safety shield is installed around workpiece to protect against projectiles.
- Do not modify this device beyond installing a shield to protect against projectiles.
- Ensure the user is familiar with the controls and operational characteristics of this product and aware of the potential hazards associated with its use.
- **Failure to heed** these markings may **result in personal injury and/or property damage.**

## SPECIFICATIONS

Shop Press:

Model No.	Load Capacity	Stroke	Cylinder Model No.	Pump		Hydraulic Hose Length	Bed Width	Press Size (H x W x L)	Min. Working space	Max. Working Space
				Model No.	Type					
HW93300	25 Ton	6"	H2506	P1000	Manual	6'	11 1/2"	71" x 48" x 28"	4 1/2"	47 1/4"
HW93301				PA1500	Air	10'				

Cylinder:

Model	Capacity (ton)	Stroke (in)	Cylinder Effective Area (in <sup>2</sup> )	Oil Capacity (in <sup>3</sup> )	Collapsed Height (in)	Extended Height (in)	Outside Dia (in)	Ram Plunger Dia. (in)	Saddle Dia. (in)	Collar Thread	Collar Thread Length (in)
H2506	25	5.94	5.14	30.53	10.79	16.73	3.35	2.24	0.98	3 5/16"-12	1.93

Manual Pump (Hand pump):

Model	Usable Oil Capacity (in <sup>3</sup> )	Pressure Rating (psi)		Oil Displacement (in <sup>3</sup> )		Oil Outlet Port	Weight (lb.)
		1st Stage	2nd Stage	1st Stage	2nd Stage		
P1000	61	200	10,000	0.81	0.14	3/8"-18NPTF	13

Air Pump:

Model	Usable Oil Capacity (in <sup>3</sup> )	Pressure Rating (psi)	Oil output Flow Rate (in <sup>3</sup> /min)		Input Air Pressure Range (psi)	Weight (lb.)
			No Load	Load		
PA1500	91.5	10,000	65	11	90-175	18

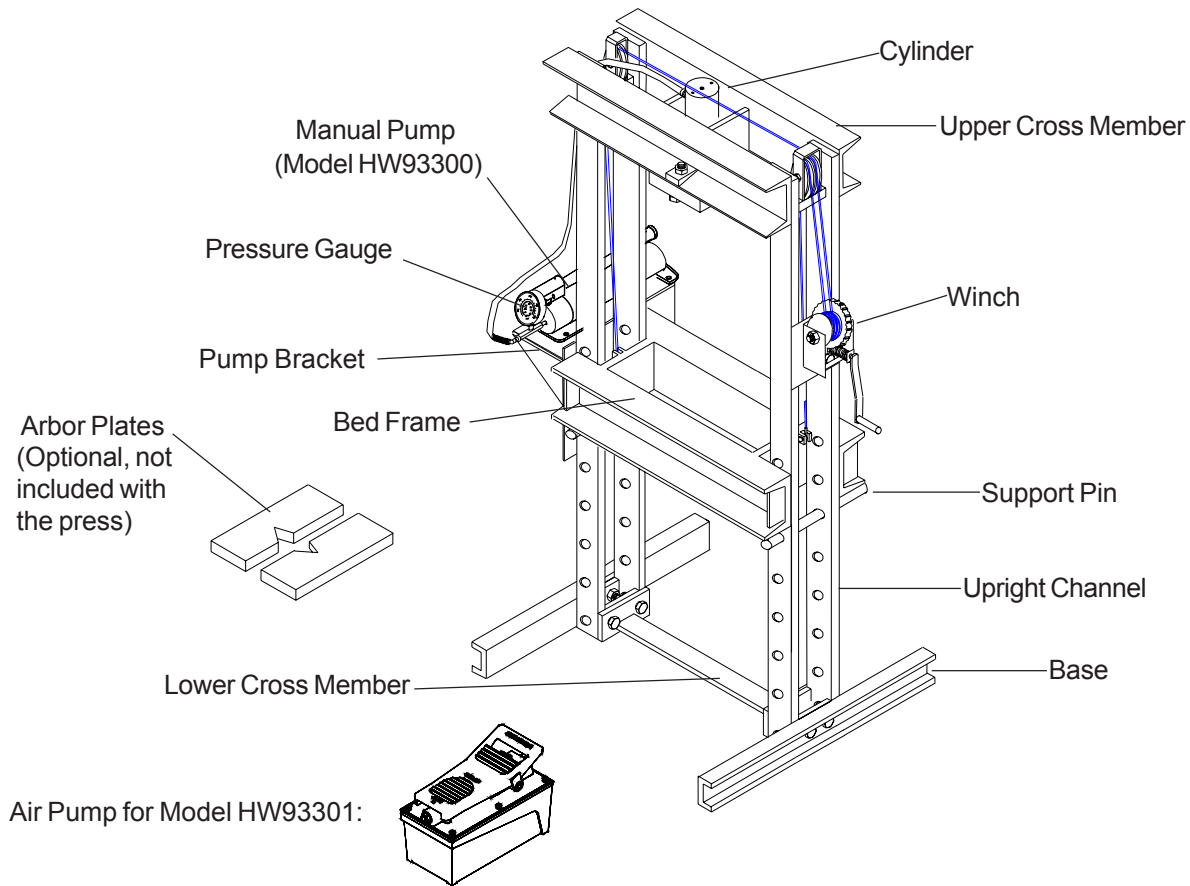


Figure 1 - Typical Shop Press Components

## ASSEMBLY


1. Attach base sections to upright channels with 4 bolts and nuts.
2. Attach lower cross member to upright channels with 4 bolts and nuts.
3. Ensure bed frame at lowest position and winch cable is slack.
4. Install the winch assembly to the press using 3 bolts, washers and nuts.
5. Secure cylinder to the cylinder adapter plate, and mount the adapter plate to upper cross member with provided bolts, washers and nuts.
6. Secure the pump bracket to the upright channel with bolts, nuts & washers provided.
7. Connect the pressure gauge and the hydraulic hose to the gauge adapter, then connect the gauge adapter to pump.

**Important:** Ensure thread tape or compound is use on connections.

8. Place the pump on the pump bracket and connect the other end of hydraulic hose to cylinder.
- 8.a. When using manual pump, bolt pump to pump bracket.

**⚠** Before disassemble, slide bed frame section down, into its lowest position.

## OPERATION

 **Projectile Hazard!** Ensure that workpiece is centerloaded and secure. Reduce risk of flying debris by carefully following all operating instruction. Know your press and hazards associated with its use. Keep hands and feet from bed area at all times.



Risk of serious eye injury from projected or blown debris. Reduce risk by wearing safety goggles when working with or around press.



**Use only** manufacturer provided attachments and accessories! Ensure all cylinder attachments are securely threaded into the cylinder. When using bearing punch and other adapters, **center the load on workpiece**.

1. Insert the support pins to desired height, then lower the bed frame using the winch until the cable is slack and the bed frame is resting fully on the support pins.
2. If needed, place arbor plates on the bed frame (optional, not included).
3. Place workpiece on the bed frame, using every precaution necessary to ensure your safety and prevent property damage.
4. Operate the pump:
  - a) Manual Pump: (model HW93300)  
Close the release valve by turning it clockwise, and pump the handle to extend the cylinder ram. To retract, simply open the release valve of pump.
  - b) Air Pump: (model HW93301)  
Connect to suitable air supply, press on the foot pedal to extend the cylinder ram. To retract, simply press the release valve by stepping on the raised, stirrup shaped portion of the foot pedal.

**Note:** Never operate pump with hose disconnected from cylinder. If operated in this condition, the hydraulic hose and connections become pressurized. This increases burst hazard.

5. Apply load to workpiece. **Do not overload the workpiece.**
6. Stabilize workpiece in a manner which will not allow it to inadvertently fall from the bed once the load is removed.
7. Once cylinder has fully retracted, remove workpiece.

**Note:** To protect your cylinder, do not continue to operate pump after cylinder plunger is fully extended or retracted.

## MAINTENANCE

Please refer to cylinder and pump's manual for maintenance and how to **add/change hydraulic oil**. For best results, change the oil once a year. Use only good quality hydraulic oil. We recommend HW93291 for manual and air pumps.

### Lubrication

A periodic coating of light lubricating oil to pivot points and hinges will help to prevent rust and assure assemblies move freely.

### Storage

Depressurize the hydraulic system, disconnect the hydraulic hose and lower the bed frame to lowest position.

## REPLACEMENT PARTS (refer to page 7)

Not all components of the Press are replacement items, but are illustrated as convenient reference of location and position in the assembly sequence. When ordering parts, give Model number, serial number and parts description. Call or write for current pricing: Hein-Werner Customer Support, 10939 N. Pomona Ave. Kansas City, MO 64153; Tel:(816)891-6390; [customerservices@heinwerner-automotive.com](mailto:customerservices@heinwerner-automotive.com). For cylinder and pump service parts, please refer to BVA owner's manuals.

## TROUBLESHOOTING

A system failure may or may not be the result of a pump malfunction. The following information is intended to be used as an aid in determining if a problem exist.

Symptom	Possible Causes	Corrective Action
Erratic ram action	<ul style="list-style-type: none"> <li>• Air in system or pump cavitation</li> <li>• External leak</li> <li>• Internal hydraulic leak</li> </ul>	<ul style="list-style-type: none"> <li>• Follow pump instructions for bleeding air</li> <li>• Tighten all connections</li> <li>• Contact Service Center</li> </ul>
Pump or ram fails to maintain pressure	<ul style="list-style-type: none"> <li>• Overload condition</li> <li>• External leak</li> <li>• Internal hydraulic leak</li> <li>• Ram seals leaking</li> <li>• Pump or valve malfunctioning</li> </ul>	<ul style="list-style-type: none"> <li>• Remedy overload condition</li> <li>• Tighten all connections</li> <li>• Contact Service Center</li> <li>• Contact Service Center</li> <li>• Check pump operating instructions</li> </ul>
Ram extends partially	<ul style="list-style-type: none"> <li>• Hydraulic oil level too low in pump</li> <li>• Load is above the capacity of system</li> <li>• Ram is sticking or binding</li> </ul>	<ul style="list-style-type: none"> <li>• Fill and bleed the system</li> <li>• Match the capacity to application</li> <li>• Contact Service Center</li> </ul>
Ram moves slower than normal	<ul style="list-style-type: none"> <li>• Loose connection or coupler</li> <li>• Restricted hydraulic line or fitting</li> <li>• Pump not working correctly</li> <li>• Ram seals leaking</li> </ul>	<ul style="list-style-type: none"> <li>• Tighten connection or coupler</li> <li>• Clean and replace if damaged</li> <li>• Check pump operating instructions</li> <li>• Replace cylinder</li> </ul>
Ram leaks hydraulic fluid	<ul style="list-style-type: none"> <li>• Worn or damaged seals</li> </ul>	<ul style="list-style-type: none"> <li>• Contact Service Center</li> </ul>
Ram will not retract or retracts slower than normal	<ul style="list-style-type: none"> <li>• Linkage binding</li> <li>• Loose couplers</li> <li>• Malfunctioning coupler</li> <li>• Weak or broken retraction springs</li> <li>• Ram damaged internally</li> <li>• Pump reservoir too full</li> </ul>	<ul style="list-style-type: none"> <li>• Lubricate all moving parts</li> <li>• Tighten couplers</li> <li>• Depressurize pump and hose, remove application, then replace a new coupler</li> <li>• Contact Service Center</li> <li>• Contact Service Center</li> <li>• Drain hydraulic fluid to correct level</li> </ul>

## Replacement Parts List for 25 Ton Press Model No. HW93300 & HW93301

Item	Part No. for Model		Description	Qty
	HW93300	HW93301		
1	300-002-001	300-002-001-B	Frame with Winch & Pump Bracket	1
2	N/A		Bed Frame	1
3	300-002-003		Support Pin	2
4	300-002-004		Base	2
5	300-002-005		Lower Cross Member	1
6	300-002-006		Winch	1
7	300-002-007		Pulley	3
8	300-002-008		Cable	2
9	300-002-009	300-002-011	Pump Bracket	1
10	300-002-012		Cylinder Adapter Plate	1
11	H2506		25 Ton Cylinder	1
12	CH38M		Male Half Coupler, 3/8"	1
13	CS3838	CS3838C	Hydraulic Hose, 3/8"ID	1
14	GD2514		Dry Pressure Gauge, 2.5", 10,000psi	1
15	CF3814		Gauge Adapter	1
16	AP25		Arbor Plates, 25Ton	1
17	P1000	PA1500	Pump	1
18	300-002-016	N/A	Pump Mounting Hardware Kit	1

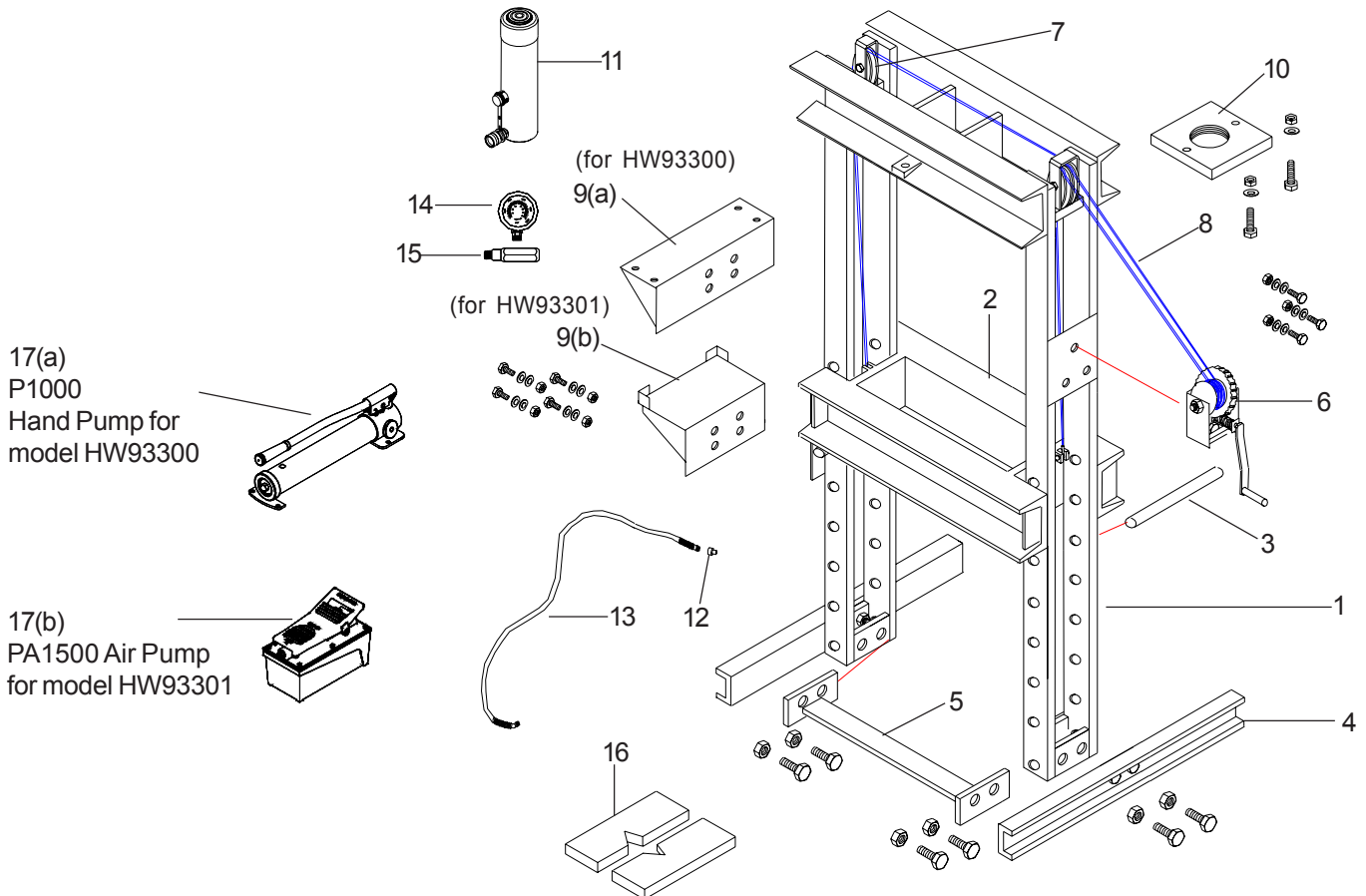


Figure 2: Replacement Parts Illustration for Model HW93300 and HW93301



## **TWO YEARS LIMITED WARRANTY**

For a period of two (2) years from date of purchase, SFA Companies will repair or replace, at its option, without charge, any of its products which fails due to a defect in material or workmanship under normal usage. This limited warranty is a consumer's exclusive remedy.

Performance of any obligation under this warranty may be obtained by returning the warranted product, freight prepaid, to SFA Companies Warranty Service Department, 10939 N. Pomona Ave., Kansas City, MO 64153. Except where such limitations and exclusions are specifically prohibited by applicable law:

- (1) THE CONSUMER'S SOLE AND EXCLUSIVE REMEDY SHALL BE THE REPAIR OR REPLACEMENT OF DEFECTIVE PRODUCTS AS DESCRIBED ABOVE
- (2) SFA COMPANIES SHALL NOT BE LIABLE FOR ANY CONSEQUENTIAL OR INCIDENTAL DAMAGE OR LOSS WHATSOEVER.
- (3) ANY IMPLIED WARRANTIES, INCLUDING WITHOUT LIMITATION THE IMPLIED WARRANTIES OF MERCHANTABILITY AND FITNESS FOR A PARTICULAR PURPOSE, SHALL BE LIMITED TO TWO YEARS, OTHERWISE THE REPAIR, REPLACEMENT OR REFUND AS PROVIDED UNDER THIS EXPRESS LIMITED WARRANTY IS THE EXCLUSIVE REMEDY OF THE CONSUMER, AND IS PROVIDED IN LIEU OF ALL OTHER WARRANTIES, EXPRESS OR IMPLIED.
- (4) ANY MODIFICATION, ALTERATION, ABUSE, UNAUTHORIZED SERVICE OR ORNAMENTAL DESIGN VOIDS THIS WARRANTY AND IS NOT COVERED BY THIS WARRANTY.

Some states do not allow limitations on how long an implied warranty lasts, so the above limitation may not apply to you. Some states do not allow the exclusion or limitation of incidental or consequential damages, so the above limitation or exclusion may not apply to you. This warranty gives you specific legal rights, and you may also have other rights which vary from state to state.

---

SFA Companies  
10939 N. Pomona Ave. Kansas City, MO 64153  
816-891-6390  
customerservices@heinwerner-automotive.com