



**Blackhawk
Automotive**™

Blackhawk Automotive is a Licensed Trade Mark

Made by ©SFA Companies, Kansas City, MO

Air Operated Hydraulic Truck Jack Operating Instructions & Parts Manual

Model

Capacity

BH6301
Series A

30 Ton

U.S. Patent No's. 5,341,723 • 5,946,912



This is the safety alert symbol. It is used to alert you to potential personal injury hazards. Obey all safety messages that follow this symbol to avoid possible injury or death.

ADVERTENCIA

- Leer, comprender, y seguir las instrucciones antes de utilizar el aparato.
- El manual de instrucciones y la información de seguridad deben estar comunicado en lengua del operador antes del uso.
- No seguir estas indicaciones puede causar daños personales o materiales.

WARNING

To avoid **crushing and related injuries**:



NEVER work on, under or around a load supported only by a hydraulic jack. **ALWAYS** use adequately rated jack stands.

SFA Companies
10939 N. Pomona Ave. Kansas City, MO 64153
sales@blackhawk-automotive.com

Read this manual and follow all the Safety Rules and Operating Instructions before using this product.

BH6301-M1_012016

SAFETY AND GENERAL INFORMATION

Save these instructions. For your safety, read, understand, and follow the information provided with and on this device before using. The owner and/or operator shall have an understanding of the device, its operating characteristics and safety operating instructions before operating the equipment. The owner and/or operator shall be aware that use and repair of this product may require special skills and knowledge. Instructions and safety information shall be read to and discussed with the operator in the operator's native language, making sure that the operator comprehends their contents, before use of this equipment is authorized. If any doubt exists as to the safe and proper use of this device, remove from service immediately.

Inspect before each use. Do not use if abnormal conditions such as cracked welds, damaged, loose or missing parts are noted. Any equipment that appears damaged in any way, is found to be worn, or operates abnormally shall be removed from service until repaired. If the equipment has been or is suspected to have been subjected to an abnormal load or shock, immediately discontinue use until inspected by a factory authorized repair facility (contact distributor or manufacturer for list of authorized repair facilities). It is recommended that an annual inspection be made by an authorized repair facility. Labels and Operator's Manuals are available from the manufacturer.

PRODUCT DESCRIPTION

Hydraulic Truck Jacks are designed to lift, but not support, rated capacity partial vehicle loads consisting of one end of a vehicle. Immediately after lifting, support loads with a pair of appropriately rated jack stands.

PREPARATION

Reference Replacement Parts pages 6 and 7 for parts location & assembly sequence. Assemble, align and insert the handle assembly and handle position bar into the handle sleeve, then tighten the bolt on handle sleeve to prevent accidental removal of handle while in use.

Before Use

1. Verify that the product and application are compatible, if in doubt call Omega Technical Service (888) 332-6419.
2. Before using this product, read the operator's manual completely and familiarize yourself thoroughly with the product, its components and recognize the hazards associated with its use.
3. To familiarize yourself with basic operation, locate and turn the release valve (handle knob):
 - a. *Clockwise* until firm resistance is felt to further turning. This is the '**CLOSED**' release valve position used to **raise** the load.
 - b. *Counter-clockwise*, no more than 1 full turn from closed position. This is the '**OPEN**' release valve position used to **lower** the load. The further the release valve is turned counter-clockwise, the faster the load descends.
4. With ram fully lowered, remove the oil filler screw. Check oil level. Proper oil level should be just below the rim of the opening. Reinstall the oil filler screw.
5. Pour a teaspoon of good quality air tool lubricant into the air supply inlet of the lift control valve. Connect to air supply, then squeeze the lift control valve for 3 seconds to evenly distribute lubricant.

NOTICE: *These models are equipped with 1/4" NPT air couplers. If installing a different air coupler, ensure thread tape or compound is used on connections. To ensure dependable, trouble free operation an inline air dryer and oiler is recommended.*

6. Ensure that jack rolls freely. Raise and lower the unloaded ram throughout the lifting range before putting into service to ensure the jack operates smoothly. Replace worn or damaged parts and assemblies with Omega authorized replacement parts only.

Bleeding/Venting Trapped Air

With the release valve in the OPEN position (Step 3b above) and with ram fully lowered, locate and remove the oil filler screw. This will help release any pressurized air which may be trapped within the reservoir. Activate air motor for 10 seconds to vent reservoir pressure. Reinstall the oil filler screw.

SPECIFICATIONS

| Model | Capacity | Jack Size (L x W) | Min. Height | Max. Height | Hyd. Range | Extension Screw |
|--------|----------|-------------------|-------------|-------------|------------|-----------------|
| BH6301 | 30 Ton | 22" x 12-5/8" | 11-1/8" | 18-1/8" | 7" | N/A |

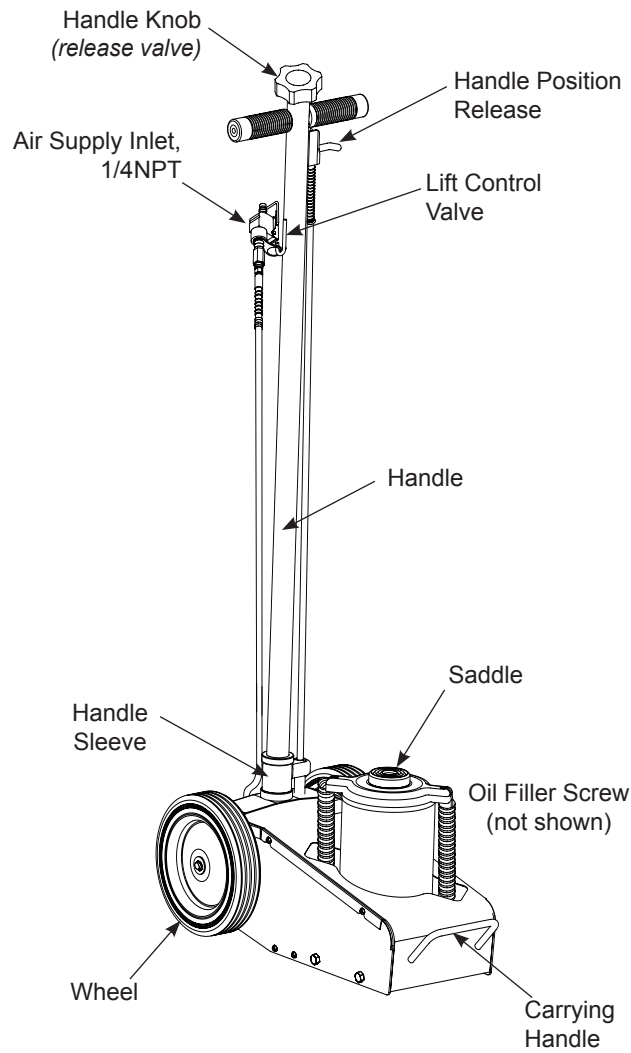


Figure 1 - Model BH6301 Nomenclature

⚠ WARNING

- Study, understand, and follow all instructions before operating this device.
- Do not exceed rated capacity.
- Use only on hard, level surface.
- Lifting device only. Immediately after lifting, support the vehicle with appropriate means.
- Do not move or dolly the vehicle while on the jack.
- Lift only on areas of the vehicle as specified by the vehicle manufacturer.
- No alterations shall be made to this product.
- Failure to heed these markings may result in personal injury and/or property damage.

⚠ WARNING



To avoid crushing and related injuries:

- Never work on, under or around a load supported only by hydraulic jack.
- Always use adequately rated jack stands.
- Chock each unlifted tire in both directions.
- Do not use this device to lift, level, lower, support nor move a house, mobile home, travel trailer, camper or any building structure.
- Be alert and sober when using this product. Do not operate under the influence of drugs or alcohol.

OPERATION (ref. Figure 1)

Lifting

NOTICE: These jacks are equipped with handle position locks. To adjust the handle, release lock device by pulling the lever up, lever is spring loaded and will lock into desired position. Ensure lever locking mechanism is fully engaged before leaving.

1. Connect adequate air source to the air supply inlet.
2. Follow the vehicle manufacturer's recommended guidelines for lifting. Engage the emergency brake and chock each unlifted wheel in both directions to prevent inadvertent vehicle movement.
3. Close the release valve by turning the handle knob clockwise until firm resistance is felt.
4. Center jack saddle under lift point, then squeeze the lift control valve until saddle contacts the lift point. To lift, continue squeezing the lift control valve until load reaches desired height. Simply release your grip on the lift control valve to end lift event.
5. Transfer the load to appropriately rated jack stands.

⚠ WARNING: Never wire, clamp or otherwise disable the lift control valve to function by other than operator's hand.

⚠ WARNING: Only attachments and/or adapters supplied by the manufacturer shall be used.

Lowering

⚠ WARNING: Clear all tools and personnel before lowering load. Open release valve slowly. The further handle knob is turned counter-clockwise, the faster the load will descend. Maintain control of load at all times.

1. Raise load high enough to clear jack stands.
2. Remove jack stands carefully.
3. Slowly turn handle knob counter-clockwise, but no more than 1 full turn. *If the load fails to lower:*
 - a. Use another jack to raise vehicle high enough to reinstall jack stands.
 - b. Remove the malfunctioning jack and then the jack stands.
 - c. Use the functioning jack to lower vehicle.
4. After removing jack from under vehicle, fully retract the jack to reduce ram exposure to rust and contamination.

MAINTENANCE

NOTICE: Use only good quality hydraulic jack oil. Avoid mixing different types of fluid and NEVER use brake fluid, turbine oil, transmission fluid, motor oil or glycerin. Improper fluid can cause premature failure of the jack and the potential for sudden and immediate loss of load. Premium hydraulic jack oil is recommended.

Adding/ Changing Oil

For best performance and longest life, replace the complete fluid supply at least once per year.

1. With saddle fully lowered remove cover plate, then oil filler screw.
2. Lay jack on its side and drain fluid into a suitable container.

NOTICE: Dispose of hydraulic fluid in accordance with local environmental regulations.

3. Set jack in its upright, level position.
4. Fill with oil. Proper oil level is just below the rim of the opening. Reinstall the oil filler screw.
5. Perform **Bleeding/Venting Trapped Air** procedure (page 2 & 3).

Lubrication

A periodic coating of light lubricating oil to pivot points, axles and hinges will help to prevent rust and assure that wheels move freely and the pump functions smoothly. To help ensure trouble free operation, an inline air dryer and oiler is recommended.

Cleaning

Periodically check the ram for signs of rust or corrosion. Clean as needed and wipe with an oily cloth.

NOTICE: Do not use sandpaper or abrasive material on ram and pump piston surfaces.

Storage

When not in use, store the jack with saddle fully lowered.

REPLACEMENT PARTS (ref. pages 6 & 7)

Not all components of the jack are replacement items, but are illustrated as a convenient reference of location and position in the assembly sequence. When ordering parts, please give the Model number, part number and parts description. Call or write for current pricing: SFA Companies 10939 N. Pomona Ave. Kansas City, MO 64153, U.S.A. E-Mail: sales@omegalift.com Tel: (888) 332-6419 Fax: (816) 891-6599 Omega Website: <http://www.omegalift.com>

TROUBLESHOOTING

| Symptom | Possible Causes | Corrective Action |
|---|--|--|
| Jack will not lift load | <ul style="list-style-type: none"> • Release valve not tightly closed • Load is too heavy • Air supply inadequate | <ul style="list-style-type: none"> • Ensure release valve tightly closed • Consider higher capacity jack • Ensure adequate air supply |
| Jack will lift, but not maintain pressure | <ul style="list-style-type: none"> • Release valve not tightly closed • Hydraulic unit malfunction | <ul style="list-style-type: none"> • Ensure release valve tightly closed • Discontinue use, contact Omega technical service |
| Jack will not lower after unloading | <ul style="list-style-type: none"> • Reservoir overfilled | <ul style="list-style-type: none"> • Drain fluid to proper level |
| Poor lift performance | <ul style="list-style-type: none"> • Fluid level low • Air trapped in system | <ul style="list-style-type: none"> • Ensure proper fluid level • Follow Bleeding/Venting Trapped Air procedure on page 2 & 3 |
| Will not lift to full extension | <ul style="list-style-type: none"> • Fluid level low | <ul style="list-style-type: none"> • Ensure proper fluid level |

Replacement Parts for model BH6301:

| Item | Part No. | Description | Qty |
|------|----------------|--------------------|-----|
| 1 | A070-70000-100 | Handle Assembly | 1 |
| 2 | G251-00007-000 | Handle Grip | 2 |
| 3 | G251-40001-000 | Knob | 1 |
| 4 | 5402-04028-000 | Spring Pin | 1 |
| 5 | 5102-10017-000 | Bolt | 1 |
| 6 | 5303-00010-000 | Washer, Lock | 5 |
| 7 | N/A | Handle Sleeve | 1 |
| 8 | A300-00005-100 | Cover Plate | 1 |
| 9 | 5110-06010-000 | Screw | 4 |
| 10 | 5102-10016-000 | Screw | 4 |
| 11 | A070-00001-000 | Wheel | 2 |
| 12 | 5308-00013-006 | Washer | 2 |
| 13 | 5304-00013-000 | Retaining Ring | 2 |
| 14 | G831-03200-000 | Air Motor | 1 |
| 15 | 5308-00095-000 | Gasket | 1t |
| 16 | A220-01000-000 | Air Hose Assembly | 1 |
| 17 | A240-02100-000 | Air Hose | 1 |
| 18 | A240-02200-000 | Lift Control Valve | 1 |

| Item | Part No. | Description | Qty |
|------|----------------|--|-----|
| 19 | A240-02400-000 | Air Coupler, Male | 1 |
| 20 | A070-30000-000 | Release Valve Cable | 1 |
| 21 | A090-12008-000 | Release Valve | 1 |
| 22 | 5105-05016-000 | Screw | 1 |
| 23 | 5105-06020-000 | Screw | 4 |
| 24 | 5303-00006-000 | Lock Washer | 4 |
| 25 | G62S-03301-000 | Filler Screw | 1 |
| 26 | A300-00003-000 | Spring | 2 |
| 27 | 5308-00380-000 | Retaining Ring | 1 |
| 28 | B300-10003-000 | Saddle | 1 |
| 29 | A300-00004-000 | Spring Plate | 1 |
| 30 | A220-01100-000 | Air Filter | 1 |
| 31 | A070-00003-100 | Wheel Axle | 2 |
| 32 | A090-00002-000 | Bottom Plate | 1 |
| 33 | G831-03210-000 | Internal Piston, Air Motor | 1 |
| 34 | A300-90009-K03 | Hydraulic Unit | 1 |
| 35 | A300-90009-K04 | Repair Kit (includes #22, 26 & a-j) | - |

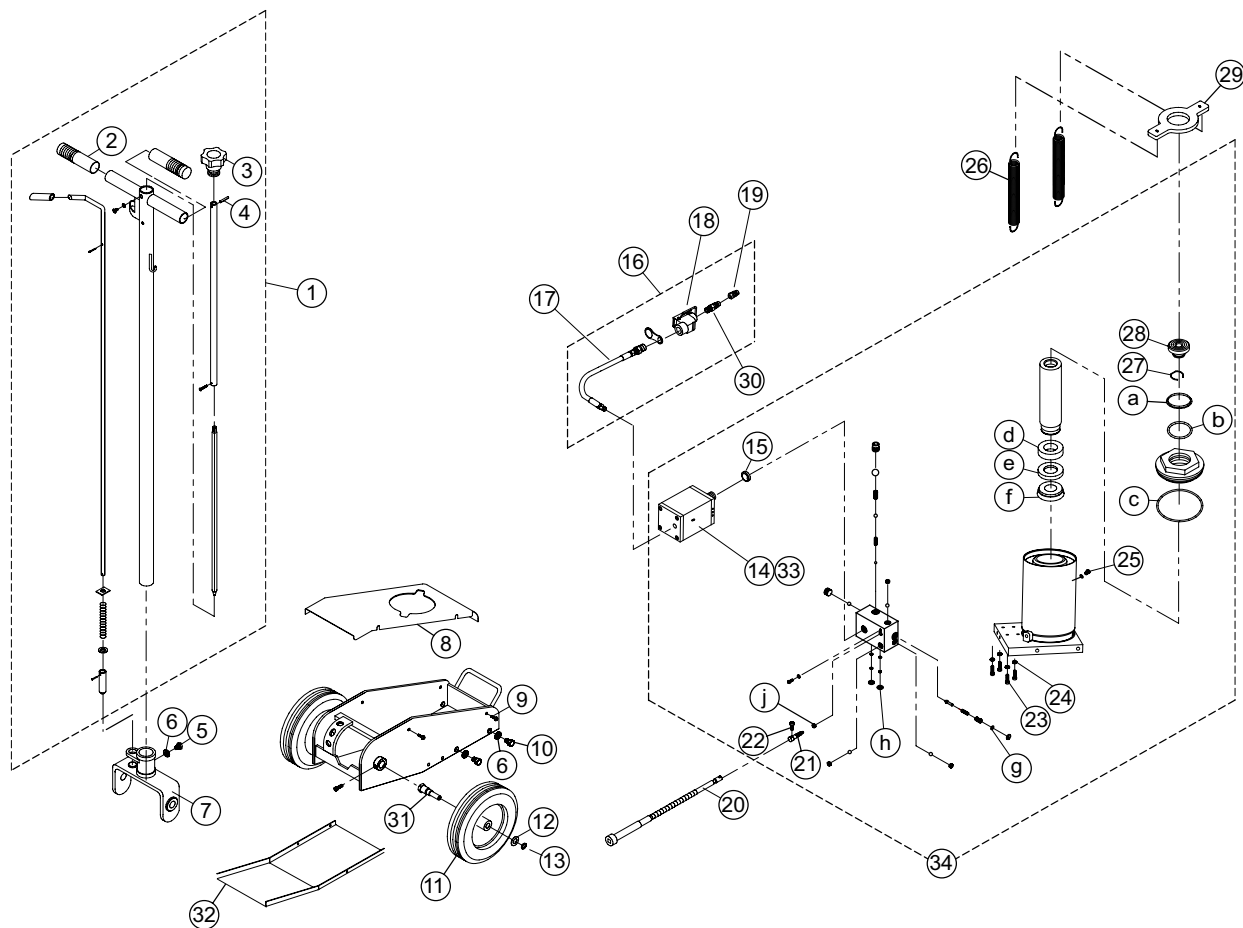


Figure 3 - Replacement Parts & Illustration for Model BH6301

ONE YEAR LIMITED WARRANTY

For a period of one (1) year from date of purchase, **SFA Companies** will repair or replace, at its option, without charge, any of its products which fails due to a defect in material or workmanship under normal usage. This limited warranty is a consumer's exclusive remedy.

Performance of any obligation under this warranty may be obtained by returning the warranted product, freight prepaid, to **SFA Companies** Warranty Service Department, 10939 N. Pomona Ave., Kansas City, MO 64153.

Except where such limitations and exclusions are specifically prohibited by applicable law, (1) THE CONSUMER'S SOLE AND EXCLUSIVE REMEDY SHALL BE THE REPAIR OR REPLACEMENT OF DEFECTIVE PRODUCTS AS DESCRIBED ABOVE. (2) **SFA Companies** SHALL NOT BE LIABLE FOR ANY CONSEQUENTIAL OR INCIDENTAL DAMAGE OR LOSS WHATSOEVER. (3) ANY IMPLIED WARRANTIES, INCLUDING WITHOUT LIMITATION THE IMPLIED WARRANTIES OF MERCHANTABILITY AND FITNESS FOR A PARTICULAR PURPOSE, SHALL BE LIMITED TO ONE YEAR, OTHERWISE THE REPAIR, REPLACEMENT OR REFUND AS PROVIDED UNDER THIS EXPRESS LIMITED WARRANTY IS THE EXCLUSIVE REMEDY OF THE CONSUMER, AND IS PROVIDED IN LIEU OF ALL OTHER WARRANTIES, EXPRESS OR IMPLIED. (4) ANY MODIFICATION, ALTERATION, ABUSE, UNAUTHORIZED SERVICE OR ORNAMENTAL DESIGN VOIDS THIS WARRANTY AND IS NOT COVERED BY THIS WARRANTY.

Some states do not allow limitations on how long an implied warranty lasts, so the above limitation may not apply to you. Some states do not allow the exclusion or limitation of incidental or consequential damages, so the above limitation or exclusion may not apply to you. This warranty gives you specific legal rights, and you may also have other rights, which vary from state to state.



SFA Companies
10939 N. Pomona Ave. Kansas City, MO 64153
816-891-6390
sales@blackhawk-automotive.com

SFA Companies

10939 N. Pomona Ave. Kansas City, MO 64153

816-891-6390

sales@blackhawk-automotive.com

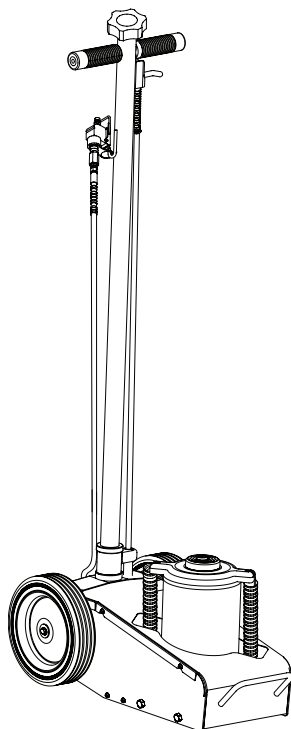




Cric hydraulique pour camion

Modèles
BH6301

Capacité
27 215 kg (30 tonnes américaines)



Brevets américains n^{os} 5 341 723 et 5 946 912



Voici le symbole signalant un danger pour la sécurité. Il est utilisé pour vous alerter des dangers potentiels de blessures.

Respectez tous les messages de sécurité qui suivent ce symbole afin d'éviter les blessures et la mort.

SFA Companies
10939 N. Pomona Ave. Kansas City, MO 64153
sales@blackhawk-automotive.com

Lisez ce manuel et observez toutes les consignes de sécurité et d'utilisation avant d'utiliser ce produit.

Imprimé en Chine
BH6301-M1_072015

INFORMATIONS GÉNÉRALES ET INFORMATIONS RELATIVES À LA SÉCURITÉ

Conservez ces instructions. Pour votre sécurité, lisez, comprenez et respectez toutes les consignes fournies avec cet appareil ou se trouvant sur celui-ci avant de l'utiliser. Le propriétaire, ainsi que l'utilisateur, doit comprendre le fonctionnement de l'appareil, ses caractéristiques de fonctionnement et les consignes de sécurité associées à son utilisation avant de s'en servir. Ces personnes doivent aussi savoir que, pour utiliser ou réparer ce produit, il peut être nécessaire d'avoir des connaissances ou des habiletés spéciales. Avant que l'utilisation de cet appareil ne soit autorisée, il faut lire, dans la langue maternelle de l'opérateur, les instructions et les informations relatives à la sécurité pour qu'il en prenne connaissance et discuter de celles-ci avec lui, de manière à s'assurer qu'il les comprend. S'il y a des doutes quant à la façon adéquate et sécuritaire de se servir de l'appareil, il faut en cesser l'utilisation immédiatement.

Inspectez avant chaque utilisation. N'utilisez pas l'appareil s'il est dans un état anormal, comme lorsqu'il y a des soudures fissurées, des dommages ou des pièces manquantes ou mal fixées. Tout appareil qui semble être endommagé d'une quelconque façon, est usé ou fonctionne de manière anormale ne doit plus être utilisé jusqu'à ce qu'il soit réparé. Si le cric a été soumis ou s'il y a des raisons de croire qu'il a été soumis à une charge ou à un choc anormal, cessez de l'utiliser immédiatement jusqu'à ce qu'il soit inspecté à un centre de réparation autorisé par le fabricant (communiquez avec le distributeur ou le fabricant pour avoir une liste des endroits autorisés). Il est recommandé qu'une inspection annuelle soit faite à un centre autorisé. Il est possible de se procurer d'autres étiquettes et d'autres manuels auprès du fabricant.

DESCRIPTION DU PRODUIT

Les crics hydrauliques pour camion sont conçus pour soulever, et non supporter, une charge égale à leur capacité nominale, soit la masse d'une extrémité de véhicule. Après le levage, faites reposer immédiatement la charge soulevée sur une paire de béquilles de cric à capacité nominale adéquate.

PRÉPARATION

Consultez les dessins des pièces de rechange des pages 14 et 15 pour connaître l'emplacement des pièces et la séquence d'assemblage. Assemblez, alignez et insérez l'assemblage de la poignée et la barre de position de la poignée dans la douille de la poignée, puis serrez le boulon de la douille pour empêcher que la poignée sorte de façon accidentelle lorsque le cric est utilisé.

Avant l'utilisation

1. Vérifiez que le produit et son utilisation sont compatibles. Si vous avez des doutes, appelez le soutien technique pour les produits Omega au 1 888 332-6419.
2. Avant d'utiliser ce produit, lisez le manuel d'utilisation au complet et familiarisez-vous parfaitement avec le produit et ses composants, et identifiez les dangers associés à son utilisation.
3. Afin de vous familiariser avec le fonctionnement de base du cric, trouvez la soupape de surpression (croisillon de la poignée) et tournez-la :
 - a. Dans le sens *horaire* jusqu'à ce que vous sentiez une forte résistance au mouvement. C'est la position « **FERMÉE** » de la soupape de surpression utilisée pour **soulever** la charge.
 - b. Dans le sens *antihoraire*, mais pas plus d'un tour à partir de la position fermée. C'est la position « **FERMÉE** » de la soupape de surpression utilisée pour **abaisser** la charge. Plus la soupape de surpression est tournée dans le sens antihoraire, plus la charge descend rapidement.
4. Lorsque le vérin à piston plongeur est à son niveau minimal, enlevez la vis de remplissage d'huile. Vérifiez le niveau d'huile. Le niveau d'huile devrait être juste en dessous du rebord du trou de remplissage d'huile. Remettez la vis.
5. Versez une cuillère à thé de lubrifiant de bonne qualité pour outil à air dans l'entrée de l'alimentation en air de la vanne de commande de levage. Branchez l'alimentation en air et ouvrez la vanne de commande de levage pendant 3 secondes pour distribuer le lubrifiant de façon uniforme.

AVIS : Ces modèles sont dotés de raccords pour tuyaux d'air 1/4 po NPT. Si vous installez un raccord d'air différent, assurez-vous de mettre du ruban pour joints filetés ou du scellant sur les filets des branchements. Il est recommandé d'utiliser un dessiccateur d'air en ligne et un huileur d'air en ligne pour assurer un fonctionnement fiable sans problème.

6. Assurez-vous que le cric fonctionne en douceur. Avant d'utiliser le cric, pour s'assurer que le mécanisme fonctionne en douceur, levez le vérin à piston plongeur à son niveau maximal et abaissez-le à son niveau minimal, sans charge. Remplacez les pièces et les assemblages usés ou endommagés seulement par des pièces de rechange autorisées par Omega.

Purge de l'air emprisonné

Lorsque la soupape de surpression est à la position OUVERTE (étape 3 b. ci-dessus) et que le vérin à piston plongeur est à son niveau minimal, trouvez et enlevez la vis de remplissage d'huile. Cela va faciliter la libération de tout air pressurisé pouvant être emprisonné dans le réservoir. Faites marcher le moteur à air pendant 10 secondes pour dépressuriser le réservoir. Remettez la vis.

SPÉCIFICATIONS

| Modèles | Capacité | Dimensions du cric (L x l) | Hauteur min. | Hauteur max. | Plage de déplacement de l'hydraulique | Vis de rallonge |
|---------|----------------------------------|--------------------------------------|-------------------------|-------------------------|---------------------------------------|-----------------|
| BH6301 | 27 215 kg (30 t. américaines) | 55,88 x 32,07 cm (22 x 12-5/8 po) | 28,26 cm (11-1/8 po) | 46,04 cm (18-1/8 po) | 17,78 cm (7 po) | S.O. |

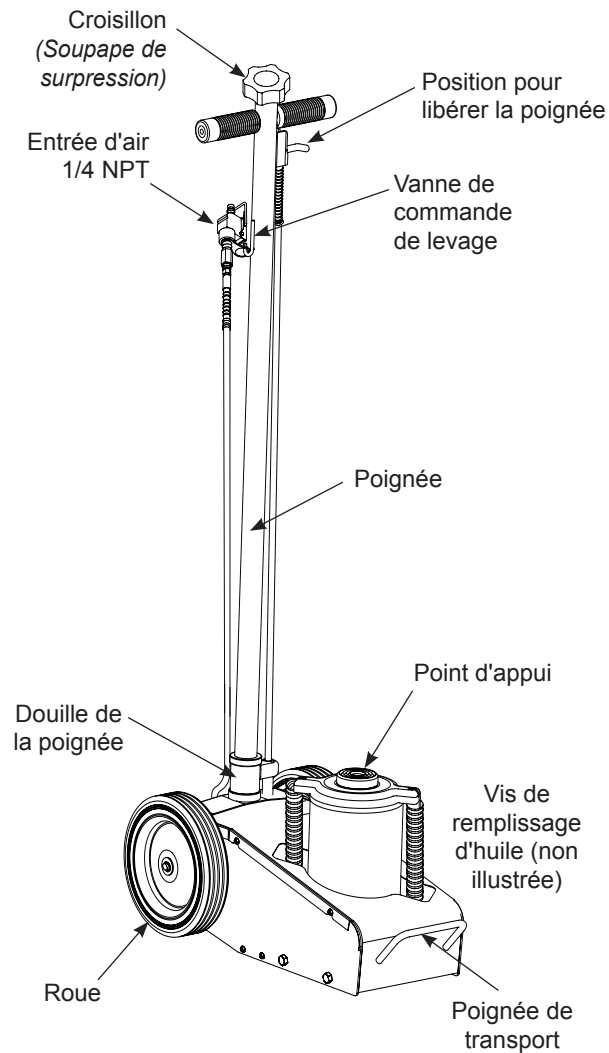


Figure 1 : Pièces d'un cric hydraulique pour camion typiques (modèle BH6301)

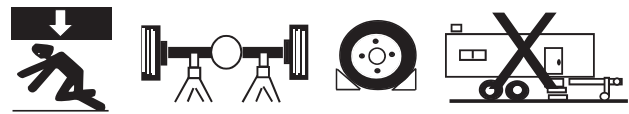


AVERTISSEMENT

- Lisez, comprenez et respectez toutes les instructions avant d'utiliser ce produit.
- Ne dépassez pas la capacité nominale.
- Utilisez le cric seulement sur des surfaces dures et de niveau.
- Utilisez pour le levage seulement. Immédiatement après le levage, faites en sorte que le véhicule soit supporté par un moyen adéquat.
- Ne déplacez pas le véhicule et n'utilisez pas le cric pour ce faire lorsque le véhicule est supporté par le cric.
- Utilisez le cric seulement aux points de levage indiqués par le fabricant du véhicule.
- Ne modifiez pas cet appareil.
- Le non-respect des consignes peut entraîner des blessures et des dommages matériels.



AVERTISSEMENT



Pour éviter un écrasement et les blessures en lien avec celui-ci :

- Ne travaillez jamais autour d'une charge, en dessous d'elle ou sur celle-ci, si elle est supportée seulement par un cric hydraulique.
- Utilisez toujours des béquilles de cric dont la capacité nominale est adéquate.
- Mettez des cales à l'avant et à l'arrière des pneus non soulevés.
- N'utilisez pas cet appareil pour soulever, mettre à niveau, abaisser, supporter ou déplacer une maison, une maison mobile, une caravane classique, une roulotte ou une structure d'édifice.
- Soyez vigilant et sobre lorsque vous utilisez ce produit. Ne vous en servez pas si vous avez consommé de l'alcool ou de la drogue.

FONCTIONNEMENT (Voir la figure 1.)

Soulever

AVIS : Ces crics sont munis d'un verrou de poignée. Pour ajuster la poignée, libérez le verrou en tirant sur le levier vers le haut. Le levier est un levier à retour automatique et le verrou s'enclenche lui-même tout en bloquant le levier à la position désirée. Assurez-vous que le mécanisme de verrouillage est entièrement enclenché avant de partir.

1. Branchez une source d'air adéquate à l'entrée d'air.
2. Respectez les lignes directrices du fabricant du véhicule pour le levage. Serrez le frein de stationnement du véhicule et mettez des cales à l'avant et à l'arrière des roues non soulevées pour empêcher tout déplacement du véhicule.
3. Fermez la soupape de surpression en tournant le croisillon dans le sens horaire jusqu'à ce que vous sentiez une bonne résistance.
4. Centrez le point d'appui sous le point de levage et ouvrez la vanne de commande de levage jusqu'à ce que le point d'appui entre en contact avec le point de levage. Pour faire le levage, gardez la vanne de commande de levage ouverte jusqu'à ce que la charge atteigne la hauteur désirée. Il suffit de lâcher la vanne de commande pour arrêter le levage.
5. Faites reposer la charge sur des béquilles de cric à capacité nominale adéquate.

⚠ AVERTISSEMENT : N'attachez et ne fixez jamais la vanne de commande et ne faites jamais rien pour qu'elle soit contrôlée d'une autre façon que par la main de l'opérateur.

⚠ AVERTISSEMENT : Utilisez seulement les accessoires et les adaptateurs fournis par le fabricant.

Abaisser

⚠ AVERTISSEMENT : Avant d'abaisser la charge, assurez-vous qu'il n'y a aucun outil ni personne en dessous de celle-ci. Ouvrez la soupape de surpression lentement. Plus le croisillon est tourné dans le sens antihoraire, plus la charge descend rapidement. Gardez le contrôle de la charge en tout temps.

1. Soulevez la charge suffisamment pour qu'elle ne touche plus aux béquilles.
2. Enlevez les béquilles avec précaution.
3. Tournez lentement le croisillon dans le sens antihoraire, mais ne faites pas plus d'un tour. Si la charge ne descend pas :
 - a. Utilisez un autre cric pour soulever le véhicule suffisamment pour remettre les béquilles de cric.
 - b. Enlevez le cric défectueux et enlevez ensuite les béquilles de cric.
 - c. Utilisez le cric qui fonctionne pour faire descendre le véhicule.
4. Après avoir retiré le cric, faites descendre le point d'appui à son niveau minimal pour prévenir la rouille et la contamination du vérin.

ENTRETIEN

AVIS : Utilisez seulement de l'huile pour cric hydraulique de bonne qualité. Évitez de mélanger différents types de liquides et n'utilisez JAMAIS de liquide pour frein, d'huile de turbine, de liquide de transmission, d'huile moteur ou de glycérine. L'utilisation d'un liquide inapproprié peut entraîner une défaillance prématurée du cric et causer une chute potentielle soudaine et immédiate de charge. Il est recommandé d'utiliser de l'huile pour cric hydraulique de première qualité.

Changer ou ajouter de l'huile

Afin d'obtenir une performance et une durée de vie optimales, remplacez complètement l'huile au moins une fois par année.

1. Lorsque le point d'appui est à son niveau minimal, enlevez la plaque de couverture et ensuite la vis de remplissage d'huile.
2. Posez le cric sur le côté et purgez le liquide en l'envoyant dans un contenant adéquat.

AVIS : Jetez le liquide hydraulique en respectant la réglementation environnementale locale.

3. Mettez le cric debout et à niveau.
4. Mettez de l'huile dans le cric. Le niveau d'huile devrait être juste en dessous du rebord du trou de remplissage d'huile. Remettez la vis.
5. Suivez la procédure de la section **Purge de l'air emprisonné** (page 10 et 11).

Lubrifier

Une lubrification périodique des points de pivotement, des axes et des charnières faite avec de l'huile légère aide à prévenir la rouille et à assurer que les roues bougent librement et que le levier fonctionne en douceur. Il est recommandé d'utiliser un dessiccateur d'air en ligne et un huileur d'air en ligne pour assurer un fonctionnement fiable sans problème.

Nettoyer

Inspectez périodiquement le vérin à piston plongeur pour voir s'il y a de la rouille ou de la corrosion. Nettoyez selon les besoins et essuyez avec un linge huileux.

AVIS : N'utilisez pas de papier sablé ni de matériau abrasif sur le piston du levier et le vérin à piston plongeur.

Ranger

Lorsque le cric n'est pas utilisé, rangez-le, son point d'appui devant être à son niveau minimal.

Pièces de rechange (Voir pages 14 et 15.)

Ce ne sont pas toutes les pièces du cric qui peuvent être remplacées, mais elles sont illustrées pour montrer leur emplacement ainsi que leur position pour l'assemblage. Lorsque vous commandez des pièces, veuillez fournir le numéro du modèle du cric, le numéro de la pièce et la description de cette dernière. Pour connaître les prix actuels, appelez-nous ou écrivez-nous : SFA Companies 10939 N. Pomona Ave. Kansas City, MO 64153, É.-U., Courriel : sales@omegalift.com, téléphone : 1 888 332-6419, télécopieur : 1 816 891-6599, site Web : <http://www.omegalift.com>.

DÉPANNAGE

| Problème | Causes possibles | Mesure corrective |
|---|---|--|
| Cric ne soulevant pas la charge | <ul style="list-style-type: none">• Soupape de surpression qui n'est pas bien fermée• Charge trop pesante• Alimentation en air inadéquate | <ul style="list-style-type: none">• Assurez-vous que la soupape est bien fermée.• Utilisez un cric à plus grande capacité.• Assurez-vous d'avoir une alimentation en air adéquate. |
| Cric soulevant la charge mais qui redescend | <ul style="list-style-type: none">• Soupape de surpression qui n'est pas bien fermée• Défaillance du vérin hydraulique | <ul style="list-style-type: none">• Assurez-vous que la soupape est bien fermée.• Cessez de l'utiliser et communiquez avec le soutien technique d'Omega. |
| Cric ne descendant pas après avoir enlevé la charge | <ul style="list-style-type: none">• Trop de liquide hydraulique dans le réservoir | <ul style="list-style-type: none">• Purgez le liquide pour le ramener au bon niveau. |
| Performance de levage médiocre | <ul style="list-style-type: none">• Niveau de liquide hydraulique trop bas• Air emprisonné dans le réservoir | <ul style="list-style-type: none">• Assurez-vous que le niveau de liquide est adéquat.• Suivez la procédure de la section Purge de l'air emprisonné à la page 10 et 11. |
| Le point d'appui ne s'élève pas au maximum | <ul style="list-style-type: none">• Niveau de liquide hydraulique trop bas | <ul style="list-style-type: none">• Assurez-vous que le niveau de liquide est adéquat. |

Pièces de rechange du modèle BH6301 :

| Pièce | Numéro de pièce | Description | Qté |
|-------|-----------------|-------------------------------|-----|
| 1 | A070-70000-100 | Assemblage de la poignée | 1 |
| 2 | G251-00007-000 | Prise de la poignée | 2 |
| 3 | G251-40001-000 | Croisillon | 1 |
| 4 | 5402-04028-000 | Goupille-ressort | 1 |
| 5 | 5102-10017-000 | Boulon | 1 |
| 6 | 5303-00010-000 | Rondelle du verrou | 5 |
| 7 | A070-00006-100 | Douille de la poignée | 1 |
| 8 | A300-00005-100 | Plaque de couverture | 1 |
| 9 | 5110-06010-000 | Vis | 4 |
| 10 | 5102-10016-000 | Vis | 4 |
| 11 | A070-00001-000 | Roue | 2 |
| 12 | 5308-00013-006 | Rondelle | 2 |
| 13 | 5304-00013-000 | Bague de retenue | 2 |
| 14 | G831-03200-000 | Moteur à air | 1 |
| 15 | 5308-00095-000 | Joint d'étanchéité en cuivre | 1 |
| 16 | A220-01000-000 | Assemblage de tuyau d'air | 1 |
| 17 | A240-02100-000 | Tuyau d'air | 1 |
| 18 | A240-02200-000 | Vanne de commande de levage | 1 |
| 19 | A240-02400-000 | Raccord mâle pour tuyau d'air | 1 |

| Pièce | Numéro de pièce | Description | Qté |
|-------|-----------------|--|-----|
| 20 | A240-02400-000 | Câble de la soupape de surpression | 1 |
| 21 | A070-30000-000 | Soupape de surpression | 1 |
| 22 | A090-12008-000 | Vis | 1 |
| 21 | 5105-05016-000 | Vis | 4 |
| 23 | 5105-06020-000 | Boîtier d'hydraulique | 4 |
| 24 | 5303-00006-000 | Rondelle du verrou | 1 |
| 25 | G62S-03301-000 | Vis de remplissage d'huile | 2 |
| 26 | A300-00003-000 | Ressort | 1 |
| 27 | 5308-00380-000 | Anneau de retenue | 1 |
| 28 | B300-10003-000 | Point d'appui | 1 |
| 29 | A300-00004-000 | Coupelle de ressort | 1 |
| 30 | A220-01100-000 | Filtre à air | 2 |
| 31 | A070-00003-100 | Essieu de roue | 1 |
| 32 | A090-00002-000 | Plaque de base | 1 |
| 33 | G831-03210-000 | Piston interne du moteur à air | 1 |
| 34 | A300-90009-K03 | Vérin hydraulique | 1 |
| 35 | A300-90009-K04 | Trousse de joints (<i>comprend les joints 22, 26 et ceux des pièces a à j</i>) | - |

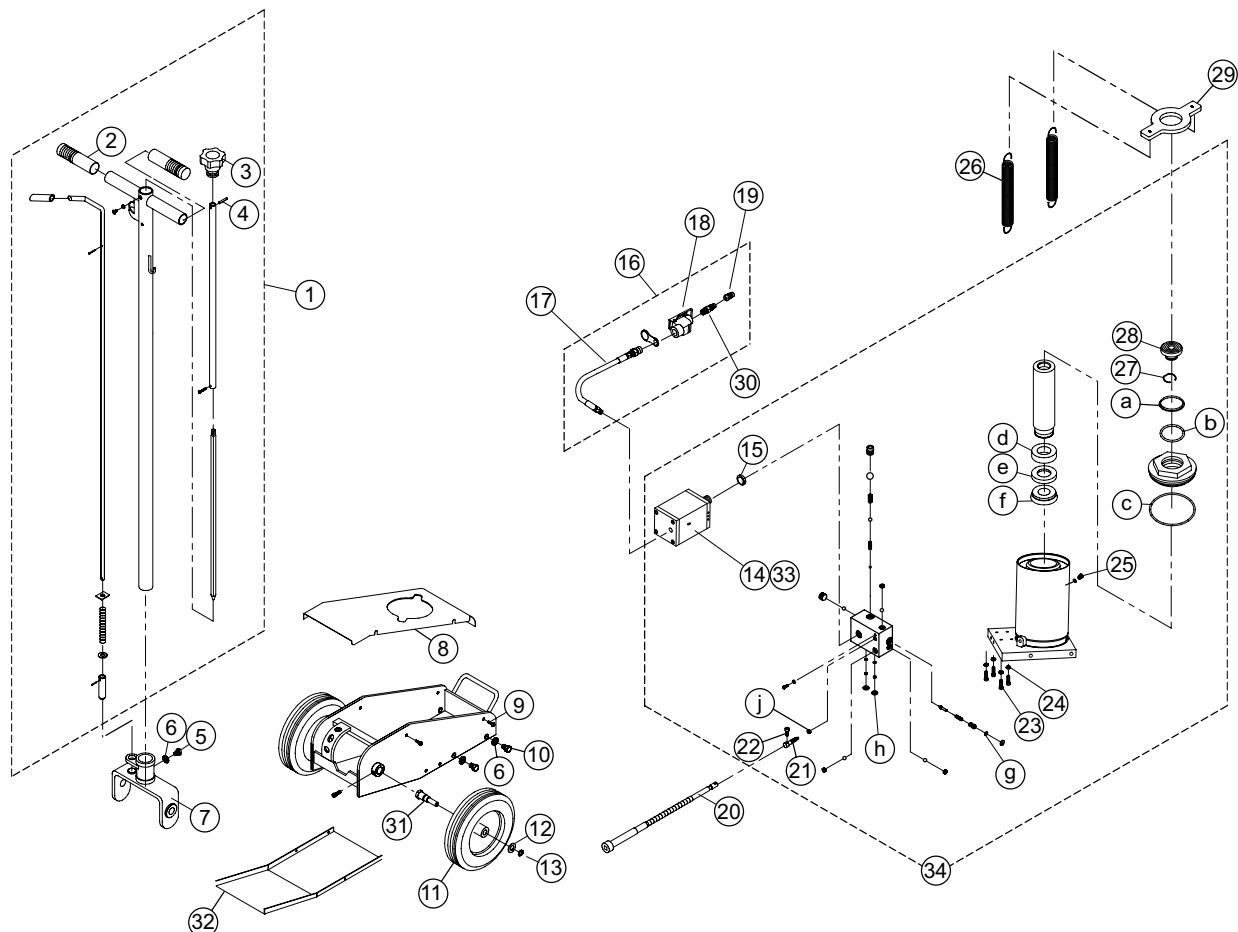


Figure 3 : Illustration des pièces de rechange du modèle BH6301

GARANTIE LIMITÉE DE 1 AN

Pendant une période d'un (1) an, à partir de la date d'achat, **SFA Companies, Inc.** réparera ou remplacera, à sa discrétion, sans frais, tous ses produits qui, utilisés dans des conditions normales, sont défectueux à cause d'un défaut de matériel ou de fabrication. Cette garantie limitée est le seul recours du consommateur.

Pour bénéficier du service offert par la garantie, il faut retourner le produit couvert par celle-ci, port payé, à **SFA Companies, Inc.** Warranty Service Department, 10939 N. Pomona Ave., Kansas City, MO 64153, États-Unis.

Sauf dans les cas où les limitations et les exclusions décrites dans ce paragraphe sont spécifiquement interdites par la loi : (1) LE SEUL RECOURS DU CONSOMMATEUR EST DE FAIRE RÉPARER OU REMPLACER LES PRODUITS DÉFECTUEUX COMME DÉCRIT CI-DESSUS; (2) **SFA COMPANIES, INC.** NE SERA PAS TENUE RESPONSABLE DES DOMMAGES CONSÉCUTIFS OU INDIRECTS OU DE PERTES QUELCONQUES; (3) TOUTE GARANTIE IMPLICITE, CE QUI INCLUT SANS LIMITATION LES GARANTIES IMPLICITES DE COMMERCIALITÉ ET D'ADAPTATION À UN USAGE PARTICULIER, SERA LIMITÉE À UN AN, À DÉFAUT DE QUOI LA RÉPARATION, LE REMPLACEMENT OU LE REMBOURSEMENT, SELON CETTE GARANTIE EXPRESSE LIMITÉE, CONSTITUE LE SEUL RECOURS DU CLIENT, ET REMPLACE TOUTE AUTRE GARANTIE, IMPLICITE OU EXPRESSE; (4) TOUTE MODIFICATION, ALTÉRATION, UTILISATION ABUSIVE OU NON AUTORISÉE OU DÉCORATION ORNEMENTALE ANNULE CETTE GARANTIE ET N'EST PAS COUVERTE PAR CELLE-CI.

Certaines provinces et certains États ne permettent pas de limiter la durée d'une garantie implicite et il est donc possible que la limitation décrite ci-dessus ne s'applique pas. Certaines provinces et certains États ne permettent pas d'exclure ou de limiter les dommages consécutifs ou indirects et il est donc possible que la limitation ou l'exclusion mentionnée ci-dessus ne s'applique pas. Cette garantie vous confère des droits particuliers et il est aussi possible que vous puissiez jouir d'autres droits qui varient d'une province à l'autre et d'un État à l'autre.



SFA Companies
10939 N. Pomona Ave. Kansas City, MO 64153
816-891-6390
sales@blackhawk-automotive.com



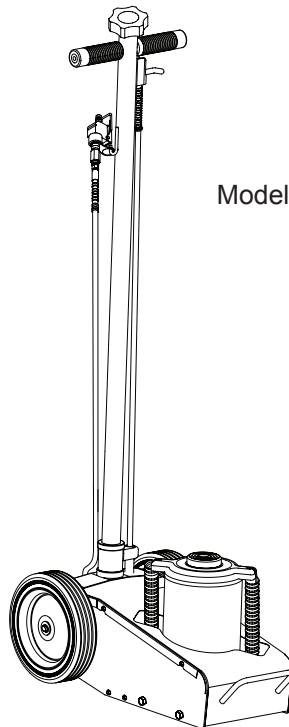


**Blackhawk
Automotive™**

Gato hidráulico para camiones

**Modelo
BH6301**

**Capacidad
30 toneladas (60 000 libras)**



Modelo BH6301

Patente de EE. UU. N.º 5,341,723 y 5,946,912



Este es el símbolo de alerta de seguridad. Se usa para alertar sobre peligros potenciales de lesiones personales.

Obedezca todos los mensajes de seguridad que tengan este símbolo, para evitar posibles lesiones personales o la muerte.

SFA Companies
10939 N. Pomona Ave. Kansas City, MO 64153
sales@blackhawk-automotive.com

Lea este manual y respete todas las reglas de seguridad y las instrucciones de funcionamiento antes de usar este producto.

Impreso en China
BH6301-M1_072015

INFORMACIÓN GENERAL Y DE SEGURIDAD

Conserve estas instrucciones. Para su seguridad, lea, comprenda y siga la información que viene con este dispositivo antes de su uso. El propietario u operador debe tener conocimientos sobre el dispositivo, sus características operativas y las instrucciones para un funcionamiento seguro antes de utilizar el equipo. El propietario u operador debe tener presente que el uso y la reparación de este producto podrían requerir habilidades y conocimientos especiales. Es preciso leer y analizar las instrucciones y la información de seguridad con el operador, en su lengua materna, a fin de asegurarse de que el operador comprenda su contenido antes de recibir autorización para el uso de este equipo. Si tiene dudas sobre el uso seguro y adecuado de este dispositivo, proceda a sacarlo de servicio de inmediato.

Inspeccione el dispositivo antes de cada uso. No use el dispositivo si presenta anomalías, como grietas en la soldadura, o piezas dañadas, flojas o faltantes. Debe sacar de servicio todo equipo que presente daños, de la naturaleza que fueren, esté gastado o funcione mal hasta su reparación. Si tiene la sospecha o la certeza de que el equipo fue sometido a una carga o sufrió un impacto anormal, interrumpa el uso de inmediato hasta que sea controlado por un centro de reparación autorizado por la fábrica (comuníquese con el distribuidor o fabricante para obtener una lista de los centros de reparación autorizados). Se recomienda realizar una inspección anual a cargo de un centro de reparaciones autorizado. Las etiquetas y los manuales del operador están disponibles por parte del fabricante.

DESCRIPCIÓN DEL PRODUCTO

Los gatos hidráulicos para camiones están diseñados para levantar, no soportar, cargas de capacidad nominal parcial del vehículo que consisten en un extremo del vehículo. Inmediatamente después de la elevación, sostenga la carga con un par de soportes para gato con la carga nominal adecuada.

PREPARACIÓN

Consulte Piezas de repuesto en las páginas 22 y 23 para ver la ubicación de las piezas y la secuencia del conjunto. Instale, alinee e inserte el conjunto de manija y la barra de posición de la manija en el manguito de la manija; luego apriete el perno sobre el manguito de la manija para evitar que la manija se salga accidentalmente mientras está en uso.

Antes del uso

1. Verifique que el producto y la aplicación sean compatibles; si tiene dudas, llame al Servicio técnico de Omega al (888) 332-6419.
2. Antes de usar este producto, lea todo el manual del operador; procure familiarizarse en forma completa con el producto y sus componentes, y reconocer los peligros asociados a su uso.
3. Para familiarizarse con el funcionamiento básico, ubique y gire la válvula de liberación (perilla de la manija):
 - a. A la *derecha* hasta que sienta una resistencia firme para continuar girando. Esta es la posición '**CERRADO**' de la válvula de liberación que se usa para **elevantar** la carga.
 - b. A la *izquierda*, no más de 1 giro con respecto a la posición de cerrado. Esta es la posición '**ABIERTO**' de la válvula de liberación que se usa para **bajar** la carga. Cuanto más gire la válvula de liberación a la izquierda, más rápido descenderá la carga.
4. Una vez que el ariete haya descendido por completo, retire el tornillo de llenado de aceite. Verifique el nivel de aceite. El nivel de aceite adecuado debe estar justo por debajo del borde de la abertura. Vuelva a colocar el tornillo de llenado de aceite.
5. Vierta una cucharadita de lubricante para herramientas de aire de buena calidad en la entrada de suministro de aire de la válvula de control de elevación. Conecte al suministro de aire, luego oprima la válvula de control de elevación durante 3 segundos para distribuir el lubricante de manera uniforme.

AVISO: *Estos modelos están equipados con acopladores de aire de 1/4" (0,6 cm) NPT. Si instala un acoplador de aire diferente, asegúrese de usar cinta o compuesto aislante en las conexiones. Se recomienda el uso de un secador de aire y engrasador en línea para asegurar el funcionamiento fiable y libre de problemas.*

6. Asegúrese de que el gato se desplace libremente. Antes de poner el gato en servicio, suba y baje el ariete sin carga a lo largo de la distancia de elevación para asegurarse de que el gato funcione sin dificultades. Reemplace las piezas y los conjuntos desgastados o dañados solo con piezas de repuesto autorizadas de Omega.

Purgado/descarga del aire atrapado

Coloque la válvula de liberación en la posición ABIERTO (paso 3b anterior) y baje el ariete en forma completa; luego, ubique y retire el tornillo de llenado de aceite. Esto ayudará a liberar el aire presurizado que pudiera estar atrapado dentro del depósito. Active el motor neumático durante 10 segundos para ventilar la presión del depósito. Vuelva a colocar el tornillo de llenado de aceite.

ESPECIFICACIONES

| Modelo | Capacidad | Tamaño del gato (L x P) | Altura mín. | Altura máx. | Rango hidráulico | Tornillo de extensión |
|--------|---------------------------------|--|-----------------------|-----------------------|---------------------|--------------------------|
| BH6301 | 30 toneladas (60 000 libras) | 22" x 12-5/8" (55,88 cm x 32,07 cm) | 11-1/8" (28,26 cm) | 18-1/8" (46,04 cm) | 7" (17,78 cm) | N/D |

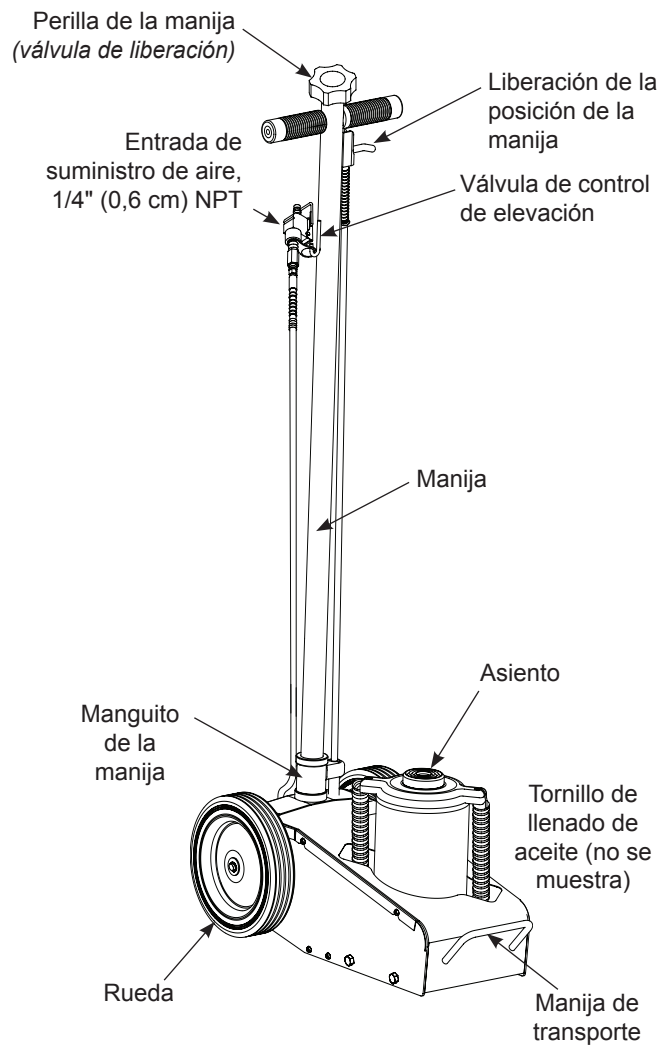


Figura 1: Nomenclatura del modelo BH6301



ADVERTENCIA

- *Estudie, comprenda y siga todas las instrucciones antes de poner en funcionamiento este dispositivo.*
- *No exceda la capacidad establecida.*
- *Utilícelo únicamente sobre superficies duras y uniformes.*
- *Es solo un dispositivo para levantar cargas. Inmediatamente después de levantar el vehículo, utilice los soportes adecuados.*
- *No mueva ni deslice el vehículo mientras esté en el gato.*
- *Use solamente las áreas del vehículo especificadas por el fabricante del vehículo.*
- *No deben hacerse modificaciones a este producto.*
- *Si no se respetan estas indicaciones, podrían producirse lesiones personales o daños a la propiedad.*



ADVERTENCIA



Para evitar lesiones por opresión y otras lesiones:

- *Nunca trabaje sobre, debajo o alrededor de una carga que solamente esté apoyada en un gato hidráulico.*
- *Siempre use soportes para gato de capacidad nominal adecuada.*
- *Bloquee cada rueda sin elevar en ambas direcciones.*
- *No utilice este dispositivo para levantar, nivelar, bajar, apoyar ni mover una casa, casa rodante, remolque de viaje, camioneta "camper" u otra estructura de construcción.*
- *Cuando utilice este equipo, procure estar atento y sobrio. No use el equipo si está bajo los efectos de drogas o bebidas alcohólicas.*

FUNCIONAMIENTO (consulte la Figura 1)

Elevación

AVISO: *Estos gatos están equipados con trabas de posición en la manija. Para ajustar la manija, libere el dispositivo de cierre mientras tira de la palanca hacia arriba; la palanca se acciona con un resorte y se bloquea en la posición deseada. Asegúrese de que el mecanismo de bloqueo de la palanca esté bien conectado antes de irse.*

1. Conecte una fuente de aire adecuada a la entrada de suministro de aire.
2. Siga las pautas recomendadas por el fabricante del vehículo para la elevación. Accione el freno de emergencia y coloque calzos en todas las ruedas sin elevar, en ambas direcciones, para evitar cualquier movimiento accidental del vehículo.
3. Cierre la válvula de liberación; para hacerlo, gire la perilla de la manija a la derecha hasta que sienta una resistencia firme.
4. Centre el asiento del gato debajo del punto de elevación, luego oprima la válvula de control de elevación hasta que el asiento toque el punto de elevación. Para la elevación, siga apretando la válvula de control de elevación hasta que la carga alcance la altura deseada. Simplemente suelte la válvula de control de elevación para terminar la elevación.
5. Transfiera la carga a los soportes para gato de capacidad nominal adecuada.

⚠ ADVERTENCIA: *Nunca use cables ni abrazaderas ni desactive de otro modo la válvula de control de elevación para que funcione de otra manera que no sea con la mano del operador.*

⚠ ADVERTENCIA: *Solo deben utilizarse accesorios y/o adaptadores suministrados por el fabricante.*

Descenso

⚠ ADVERTENCIA: *Despeje el área de herramientas y operarios antes de bajar la carga. Abra lentamente la válvula de liberación. Cuanto más gire perilla de la manija a la izquierda, más rápido descenderá la carga. Mantenga el control de la carga en todo momento.*

1. Eleve la carga a una altura que permita despejar los soportes para gato.
2. Retire cuidadosamente los soportes para gato.
3. Gire lentamente la perilla de la manija a la izquierda, pero no más de 1 giro completo. *Si la carga no desciende:*
 - a. Use otro gato para elevar el vehículo a una altura que permita volver a instalar los soportes para gato.
 - b. Retire el gato dañado y, a continuación, los soportes para gato.
 - c. Use el gato que funciona para bajar el vehículo.
4. Luego de retirar el gato de la parte de abajo del vehículo, retraiga en forma completa el gato para reducir la exposición al óxido y la contaminación.

MANTENIMIENTO

AVISO: Use solo aceite para gatos hidráulicos de buena calidad. Evite mezclar diferentes tipos de líquidos y NUNCA use líquido de frenos, aceite de turbinas, líquido de transmisión, aceite de motor ni glicerina. El uso de un líquido inadecuado puede provocar fallas prematuras en el gato y posibles pérdidas de carga repentinas e inmediatas. Se recomienda el uso de aceite para gato hidráulico de alta calidad.

Agregado/cambio de aceite

Para lograr el mejor rendimiento y una vida útil más prolongada, cambie el suministro completo de líquido por lo menos una vez al año.

1. Una vez que el asiento haya descendido por completo, retire la placa de protección, luego el tornillo de llenado de aceite.
2. Coloque al gato de lado y descargue el líquido en un recipiente adecuado.

AVISO: Deseche el líquido hidráulico conforme a las reglamentaciones ambientales locales.

3. Coloque el gato en posición vertical y a nivel.
4. Llene con aceite. El nivel de aceite adecuado es justo por debajo del borde de la abertura. Vuelva a colocar el tornillo de llenado de aceite.
5. Realice el procedimiento de la sección **Purgado/descarga del aire atrapado** (página 18 y 19).

Lubricación

La lubricación periódica con un aceite liviano en los puntos de giro, los ejes y las bisagras ayudará a evitar la corrosión y garantizará que las ruedas se muevan libremente y la bomba funcione sin dificultades. Se recomienda el uso de un secador de aire y engrasador en línea para asegurar el funcionamiento libre de problemas.

Limpieza

Verifique periódicamente el ariete en busca de signos de oxidación o corrosión. Límpielo con un paño con aceite, según sea necesario.

AVISO: No use papel de lija ni materiales abrasivos en las superficies del ariete y el pistón de la bomba.

Almacenamiento

Cuando no lo utilice, guarde el gato con el asiento completamente bajo.

PIEZAS DE REPUESTO (consulte las páginas 22 y 23)

No todos los componentes del gato tienen reemplazo, pero se ilustran a modo de referencia práctica de la ubicación y la posición que ocupan en la secuencia del conjunto. Cuando realice el pedido de piezas, indique el número de modelo, y el número y la descripción de las piezas. Para obtener el precio vigente, comuníquese a: SFA Companies 10939 N. Pomona Ave. Kansas City, MO 64153, U.S.A. Correo electrónico: sales@omegalift.com Tel.: (888) 332-6419 Fax: (816) 891-6599 Sitio web de Omega: <http://www.omegalift.com>

LOCALIZACIÓN Y SOLUCIÓN DE AVERÍAS

| Síntoma | Causas posibles | Medidas correctivas |
|---|---|--|
| El gato no levanta la carga. | <ul style="list-style-type: none"> • La válvula de liberación no está herméticamente cerrada. • La carga es demasiado pesada. • El suministro de aire es inadecuado. | <ul style="list-style-type: none"> • Asegúrese de que la válvula de liberación esté herméticamente cerrada. • Piense en la posibilidad de usar un gato de mayor capacidad. • Asegúrese de que el suministro de aire sea adecuado. |
| El gato se eleva, pero no mantiene la presión. | <ul style="list-style-type: none"> • La válvula de liberación no está herméticamente cerrada. • La unidad hidráulica no funciona correctamente. | <ul style="list-style-type: none"> • Asegúrese de que la válvula de liberación esté herméticamente cerrada. • Interrumpa el uso y comuníquese con el servicio técnico de Omega. |
| El gato no baja después de su descarga. | <ul style="list-style-type: none"> • El depósito está lleno en exceso. | <ul style="list-style-type: none"> • Descargue el líquido hasta el nivel adecuado. |
| La capacidad de elevación es deficiente. | <ul style="list-style-type: none"> • El nivel de líquido está bajo. • Hay aire atrapado en el sistema. | <ul style="list-style-type: none"> • Asegúrese de que el nivel de líquido sea el adecuado. • Siga el procedimiento indicado en Purgado/descarga del aire atrapado, en la página 18 y 19. |
| La elevadora no se eleva al máximo de su capacidad. | <ul style="list-style-type: none"> • El nivel de líquido está bajo. | <ul style="list-style-type: none"> • Asegúrese de que el nivel de líquido sea el adecuado. |

Piezas de repuesto para el modelo BH6301:

| Elem. | N.º de pieza | Descripción | Cant. |
|-------|----------------|---------------------------------|-------|
| 1 | A070-70000-100 | Conjunto de la manija | 1 |
| 2 | G251-00007-000 | Agarre de la manija | 2 |
| 3 | G251-40001-000 | Perilla | 1 |
| 4 | 5402-04028-000 | Pasador del resorte | 1 |
| 5 | 5102-10017-000 | Perno | 1 |
| 6 | 5303-00010-000 | Arandela, bloqueo | 5 |
| 7 | A070-00006-100 | Manguito de la manija | 1 |
| 8 | A300-00005-100 | Placa de protección | 1 |
| 9 | 5110-06010-000 | Tornillo | 4 |
| 10 | 5102-10016-000 | Tornillo | 4 |
| 11 | A070-00001-000 | Rueda | 2 |
| 12 | 5308-00013-006 | Arandela | 2 |
| 13 | 5304-00013-000 | Sujetador del retenedor | 2 |
| 14 | G831-03200-000 | Motor neumático | 1 |
| 15 | 5308-00095-000 | Junta de cobre | 1 |
| 16 | A220-01000-000 | Conjunto de la manguera de aire | 1 |
| 17 | A240-02100-000 | Manguera de aire | 1 |
| 18 | A240-02200-000 | Válvula de control de elevación | 1 |
| 19 | A240-02400-000 | Acoplador de aire, macho | 1 |

| Elem. | N.º de pieza | Descripción | Cant. |
|-------|----------------|---|-------|
| 20 | A070-30000-000 | Cable de la válvula de liberación | 1 |
| 21 | A090-12008-000 | Válvula de liberación | 1 |
| 22 | 5105-05016-000 | Tornillo | 1 |
| 23 | 5105-06020-000 | Tornillo | 4 |
| 24 | 5303-00006-000 | Arandela, bloqueo | 4 |
| 25 | G62S-03301-000 | Tornillo de llenado | 1 |
| 26 | A300-00003-000 | Resorte | 2 |
| 27 | 5308-00380-000 | Anillo de retención | 1 |
| 28 | B300-10003-000 | Asiento | 1 |
| 29 | A300-00004-000 | Placa de resorte | 1 |
| 30 | A220-01100-000 | Filtro de aire | 1 |
| 31 | A070-00003-100 | Eje de la rueda | 2 |
| 32 | A090-00002-000 | Placa base | 1 |
| 33 | G831-03210-000 | Pistón interno, motor neumático | 1 |
| 34 | A300-90009-K03 | Unidad hidráulica | 1 |
| 35 | A300-90009-K04 | Kit de reparación (incluye el n.º 22, 26 y a-j) | - |

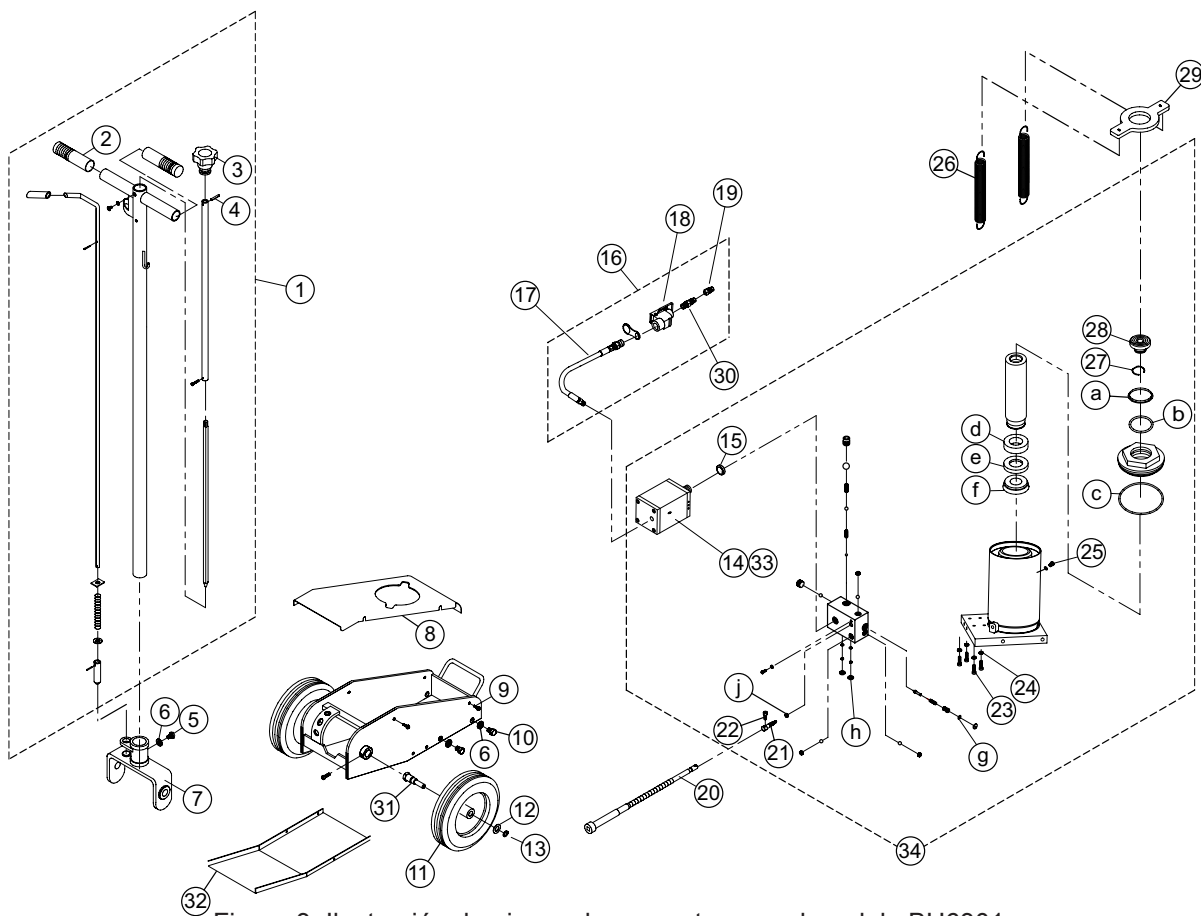


Figura 3: Ilustración de piezas de repuesto para el modelo BH6301

GARANTÍA LIMITADA DE UN AÑO

Por el período de un (1) año desde la fecha de compra, **SFA COMPANIES, INC.** reparará o reemplazará, a su discreción, sin costo alguno, cualquier producto que presente fallas debido a defectos de materiales o mano de obra bajo condiciones normales de uso. Esta garantía limitada es un recurso exclusivo del consumidor.

El cumplimiento de toda obligación en virtud de esta garantía puede obtenerse con el envío del producto en garantía, con flete abonado en origen, a **SFA COMPANIES, INC.** Warranty Service Department, 10939 N. Pomona Ave., Kansas City, MO 64153.

Salvo que tales limitaciones y exclusiones estén específicamente prohibidas por las leyes vigentes, (1) EL ÚNICO Y EXCLUSIVO RECURSO DEL CONSUMIDOR SERÁ LA REPARACIÓN O EL REEMPLAZO DE LOS PRODUCTOS DEFECTUOSOS, COMO SE DETALLA ARRIBA. (2) **SFA COMPANIES, INC.** NO SERÁ RESPONSABLE, EN NINGÚN CASO, POR DAÑOS O PÉRDIDAS EMERGENTES O INCIDENTALES. (3) TODA GARANTÍA IMPLÍCITA, LO QUE INCLUYE, ENTRE OTRAS, LAS GARANTÍAS IMPLÍCITAS DE COMERCIALIZACIÓN Y APTITUD PARA FINES ESPECÍFICOS, ESTARÁ LIMITADA A UN AÑO; DE OTRO MODO, LA REPARACIÓN, EL REEMPLAZO O LA DEVOLUCIÓN DE DINERO CONFORME A ESTA GARANTÍA LIMITADA EXPRESA SERÁ EL EXCLUSIVO RECURSO DEL CONSUMIDOR, Y SE OFRECE EN LUGAR DE CUALQUIER OTRA GARANTÍA, EXPRESA O IMPLÍCITA. (4) CUALQUIER MODIFICACIÓN, ALTERACIÓN, USO INDEBIDO, SERVICIO NO AUTORIZADO O DISEÑO ORNAMENTAL ANULARÁ ESTA GARANTÍA Y NO ESTARÁ CUBIERTO POR ESTA GARANTÍA.

Algunos estados no permiten la limitación de la duración de las garantías implícitas, por lo que las limitaciones anteriores pueden no aplicarse en su caso. Algunos estados no permiten excluir o limitar los daños emergentes o incidentales, por lo tanto esta limitación o exclusión puede no ser aplicable en su caso. Esta garantía le otorga derechos legales específicos. Usted puede tener además otros derechos que varían de un estado a otro.



